



OUTDOOR FIREPLACE MANUAL

Models: OFP42N, OFP42LP, OFP42NS, OFP42LPS

Certified For USA & Canada

Standards: CSA 4.96 US 2nd Edition, CGA CR97-003, CGA 2.17-M91

Outdoor Gas Fireplaces

Owner's Operation and Installation Manual

Installer: Leave this manual with the appliance.

Consumer: Retain this manual for future reference

IMPORTANT: Read all instructions carefully before starting installation. Failure to follow these installation instructions may result in a possible fire hazard and will void the warranty.



Warning

If the information in this manual is not followed exactly, a fire or explosion may result causing property damage, personal injury, or loss of life.

-Do not store or use gasoline or other flammable vapors and liquids in the vicinity of this or any other appliance.

-An LP-cylinder not connected for use shall not be stored in the vicinity of this or any other appliance.

WHAT TO DO IF YOU SMELL GAS

- Do not try to light any appliance.
- Do not touch any electrical switch; do not use any phone in your building.
- Immediately call your gas supplier from a neighbor's phone. Follow the gas supplier's instructions.
- If you cannot reach your gas supplier, call the fire department.

-Installation and service must be performed by a qualified installer, service agency, or the gas supplier.

This manual must be used for installation and retained by the homeowner for operation and maintenance. Save this manual for future reference. Please contact your dealer for any questions or concerns.

Warning

Improper installation, adjustment, alteration, service, or maintenance can cause injury or property damage. Read the installation, operating and maintenance instructions thoroughly before installing or servicing this equipment.

Warning

**DO NOT LEAVE
FIREPLACE
UNATTENDED WHEN
IN USE**

Warning

**FOR OUTDOOR USE
ONLY.**

Warning

**DO NOT USE FOR
COOKING.**

Warning

The OFP42N and OFP42LP Fireplace are to be used only with the Logs/Rock Kits as specified in this manual. Do not burn wood or other materials in this appliance.

Table of Contents

Table of Contents.....	2
Warnings, Installations and Operations.....	3
Operations and Maintenance Instructions.....	4
Installation Regulations.....	4
Installation Requirements for the Commonwealth of Massachusetts...	4
Pre-Installation Questions and Answers.....	5
Fireplace Dimensions and Framing Specifications.....	6
Installation Clearances	
Minimum Wall and Ceiling Clearances.....	7
Mantel Clearances.....	7
Mantel Clearances- Side Walls.....	7
Screened Porch Installation.....	7
Clearance Specifications.....	8
Gas Line Installation	9
Gas Specifications.....	9
Brick Panel Installation	10
Curtain and Hood Installation.....	10
Installing Stainless Steel Surround.....	11
Log Placement.....	12
MQ Rock Setup.....	13
MQ Rock and Glass Setup.....	14
Lighting Instructions.....	15
Burner System Maintenance.....	16
Conversion Kit Instructions – Part A.....	16
Gas Conversion -Burner-Part A.....	17
Gas Conversion -Pilot- Part B.....	17
Gas Conversion -Valve- Part C.....	18
Troubleshooting the Gas Control System.....	19
Cleaning.....	19
Electronic Spark Assist.....	20
Weather Cover Installation.....	21
Parts List	22
Limited Warranty.....	23

WARNING

FOR SAFE INSTALLATION AND OPERATION OF YOUR GAS FIREPLACE PLEASE NOTE THE FOLLOWING:

1. Models OFP42N/OFP42LP are for outdoor use only.
2. This appliance **MUST NOT** be used for cooking.
3. This appliance shall be used **ONLY** outdoors in a well-ventilated space and shall **NOT** be used inside a building, garage, or any other enclosed area.
4. **THIS UNIT IS NOT FOR USE WITH SOLID FUEL.**
5. Always keep the appliance clear and free from combustible materials, gasoline, and other flammable vapors and liquids.
6. Inspect the fuel supply connection (including the hose for LP models) before each use of the appliance. See Lighting Instructions for removal of Access Panel.
7. If it is evident there is excessive abrasion or wear, or the hose is damaged, it must be replaced prior to the appliance being put into operation.
8. Do not use abrasive cleaners.
9. Do not alter gas orifice.
10. No substitute materials may be used other than factory supplied components.
11. This appliance gives off high temperatures and should be located out of heavy traffic areas and away from furniture and draperies.
12. Children and adults should be alerted to the hazards of the high surface temperatures of this appliance and should stay away to avoid burns or ignition of clothing.
13. Young children should be carefully supervised when they are in the same room as the appliance. Toddlers, young children and others may be susceptible to accidental contact burns. A physical barrier is recommended if there are at risk individuals in the house. To restrict access to a fireplace or stove, install an adjustable safety gate to keep toddlers, young children and other at risk individuals out of the room and away from hot surfaces.
14. Under no circumstances should this appliance be modified. Any parts that have to be removed for servicing should be replaced prior to operating this appliance.
15. Any safety screen or guard removed for servicing an appliance must be replaced prior to operating the appliance.
16. Installation and repair should be done by a qualified service person. The appliance should be inspected before use and at least annually by a professional service person. More frequent cleaning may be required due to excessive lint from carpeting, et cetera. It is imperative that control compartments, burners and circulating air passageways of the appliance be kept clean. Make sure that the gas valve and pilot light are turned off before you attempt to clean this unit.
17. Clothing or other flammable material should not be placed on or near the appliance. This appliance should not be used as a drying rack for clothing nor should Christmas stockings or decorations be hung from it.
18. Do not locate appliance where it can get excessively wet. Do not use this appliance if any part has been under water. Immediately call a qualified service technician to inspect the unit and to replace any part of the control system and any gas control which has been under water.
19. Do not operate appliance unless completely installed as per installation instructions.
20. Failure to position the parts in accordance with these diagrams or failure to use only parts specifically approved with this appliance may result in property damage or personal injury.
21. The front of the fireplace gives off high temperatures that could ignite combustible material which is kept close to the front of the unit.
22. Ensure that power to the Fireplace is turned off before servicing.
23. Improper installation, adjustment, alteration, service or maintenance can cause injury or property damage. Refer to the owner's information manual provided with this appliance. For assistance or additional information consult a qualified installer, service agency, or the gas supplier.

Gas fired appliances may be used only for supplemental heat and/or decorative purposes and under no circumstances shall they provide a primary heat source.

OFP42N/OFP42LP Operations and Maintenance Instructions

For safe installation and operation note the following:

- The Burner/Log Assembly has been engineered and permanently adjusted for proper flame control.
- Periodically remove the logs from the grate assembly and vacuum any loose particles from the grate and burner areas. See Log Placement page to remove logs. Vacuum burner parts and replace logs.
- Label all wires prior to disconnection when servicing controls. Wiring errors can cause improper and dangerous operation. Verify proper operation after servicing.
- Cylinders must be stored outdoors in a well ventilated area out of the reach of children. Disconnected cylinders must have threaded valve plugs tightly installed and must not be stored in a building, garage or any other enclosed area.
- Storage of this appliance indoors is permissible only if it has been disconnected from its fuel supply (natural gas line or LP gas cylinder).
- The LP gas cylinder supply system must be arranged for vapor withdraws.
- The LP gas cylinder used must include a collar to protect the cylinder valve.
- When an LP model is not in use, the LP gas must be turned off at the supply cylinder.
- The appliance and its individual shut off valve must be disconnected from the gas supply piping system during any pressure testing of the system at test pressures in excess of ½ psi (3.5 kPa).
- The appliance must be isolated from the gas supply piping system by closing its individual manual shutoff valve during any pressure testing of the gas supply piping system at test pressures equal to or less than ½ psi (3.5 kPa).

Installation Regulations

This gas appliance must be installed by a qualified installer in accordance with local building codes, or in the absence of local codes, with the current CAN/CGA-B149.1 or .2 Installation Code (in Canada) or the current National Fuel Gas Code Z223.1 when installed in the United States.

This appliance, when installed, must be electrically connected and grounded in accordance with local codes, or in the absence of local codes, with the current CSA C22.1 Canadian Electrical Code or with the national Electrical Code; ANSI/NFPA 70-1987 when installed in the United States.

The LP gas supply cylinder used with LP models must be constructed and marked in accordance with the *Specifications for LP-Gas Cylinders* of the US Department of Transportation (D.O.T.), or the *Standard for Cylinders, Spheres, and Tubes for Transportation of Dangerous Goods and Commission, CAN/CSA-B339** as applicable.

Installation Requirements for the Commonwealth of Massachusetts

In the Commonwealth of Massachusetts, the installer or service agent shall be a plumber or gas fitter licensed by the Commonwealth.

For the state of Massachusetts a **T-handle gas shut-off valve** must be used on a gas appliance. This T-handle gas shut-off valve must be listed and approved by the state of Massachusetts. This is in reference to the state of Massachusetts state code CMR238.

Why does my fireplace or stove give off odour?

It is normal for your fireplace to give off some odour. This is due to the curing of the paint, adhesives, silicones and any undetected oil from the manufacturing process as well as the finishing materials used with the installations (e.g. marble, tile and the adhesives used to adhere this product to the walls can react with heat and cause odours).

It is recommended that you burn your gas fireplace or stove for a minimum of four hours at a time with the fan off after the curing of the paint has been completed. These odours can last upward to 40 hours of burn time, keep burning at a minimum of four hours per use until odours dissipate.

About curing of the paint

Your stove or fireplace has been painted with the highest quality silicone stove paint. This paint dries quickly in 15-20 minutes when first applied at the factory. However, due to the high temperature silicone components, the paint will cure when heat is applied to the appliance as it is first used.

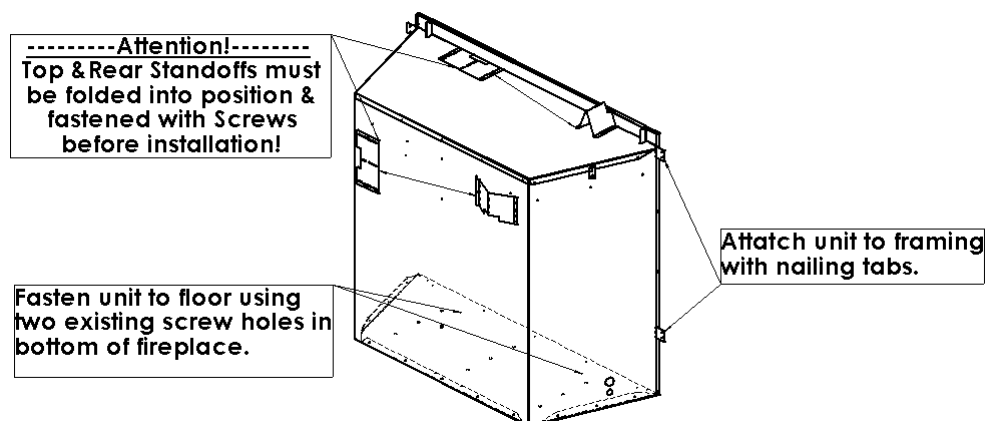
The following information **applies to the curing process** to get the paint fully hard and durable.

Fire the appliance four successive times for 10 minutes each firing and a 5 minute cool down between each. Be aware during log and firebox paint curing that a white deposit may be developing on the inside of the glass doors. It is important to remove this white deposit from the glass doors with an appropriate cleaner to prevent build-up (such as Windex or a commercial fireplace glass cleaner).

- Babies, small children, pregnant women and pets should leave the area during the cure phase.
- Ventilate well, open doors and windows.
- Do not touch during curing.

Noise coming from the fireplace?

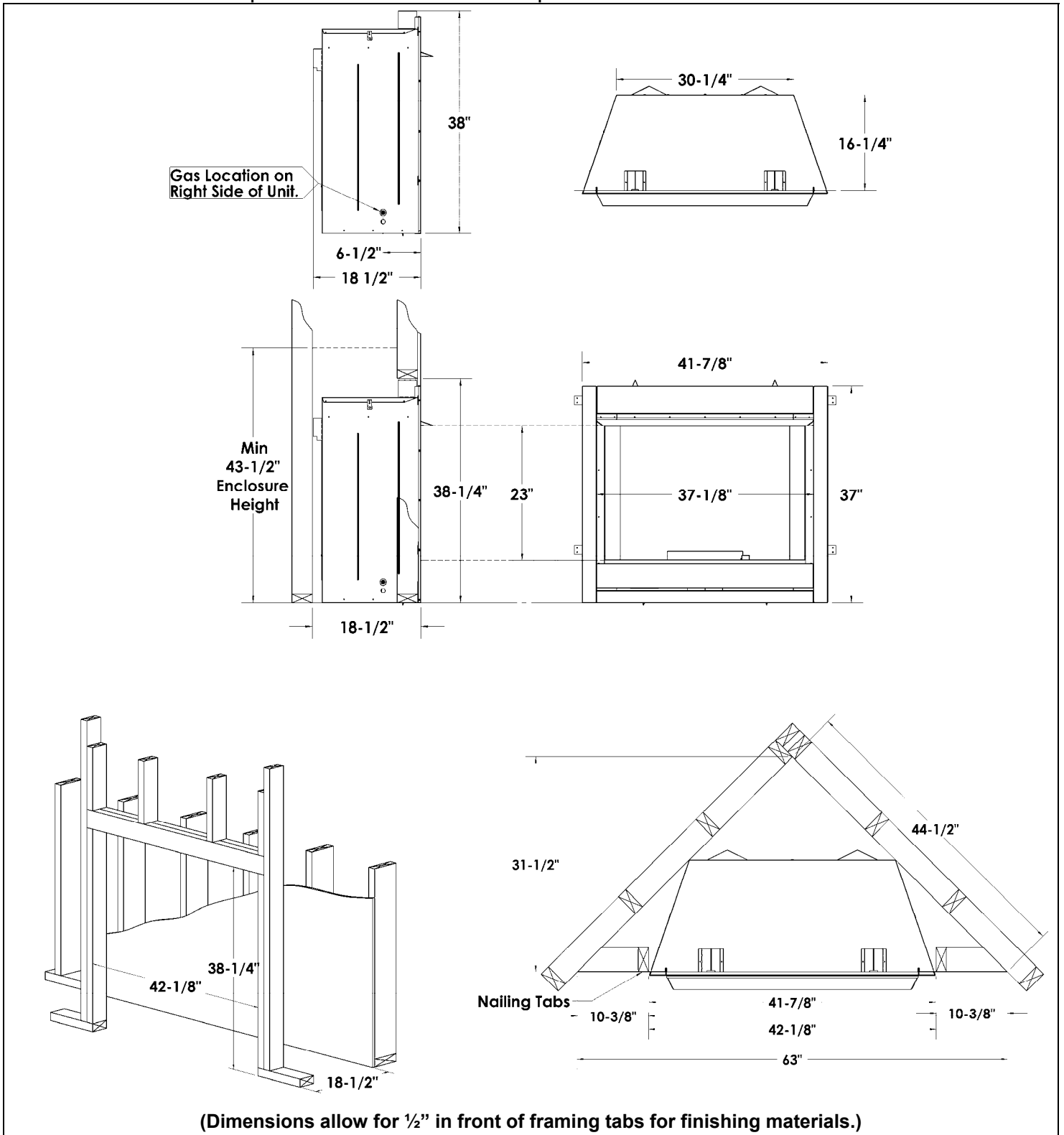
- Noise caused by metal expanding and contracting as it heats up and cools down, similar to the sound produced by a furnace or heating duct. This noise does not affect the operation or longevity of your fireplace.



OFP42N/OFP42LP Framing Specifications

-Fireplace and Framing Dimensions-

*Attention: Top & Rear Standoffs must be folded into position & fastened with Screws before installation.

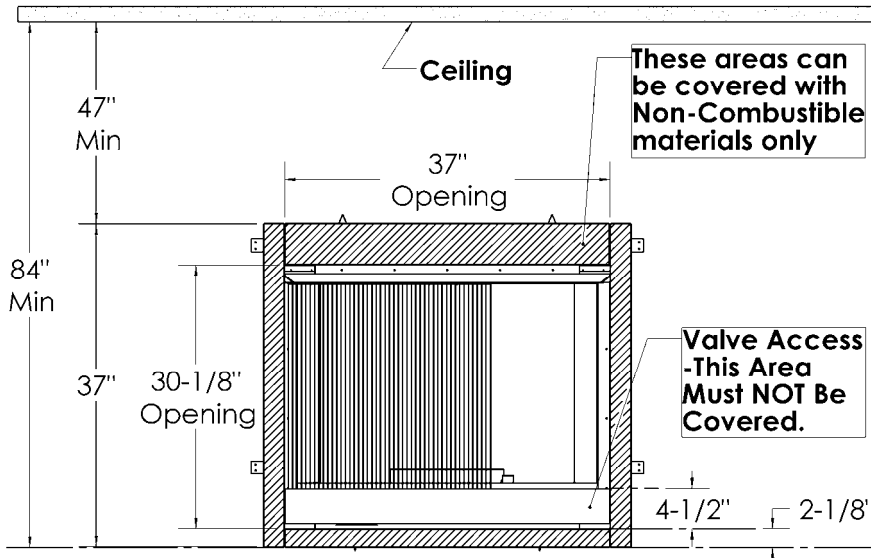


(Dimensions allow for 1/2" in front of framing tabs for finishing materials.)

Framing Clearances to Fireplace and Standoffs (Unless otherwise noted): Bottom: 0" / Sides: 0" / Adjacent side wall: 3-1/2" / Floor of fireplace to ceiling: 7" / Low Profile Enclosure: 43-1/2" Minimum. Back: 0" / Top: 0".

OFP42N/OFP42LP Installation Clearances

Carefully follow the instructions below. This will ensure safe installation.



Warning

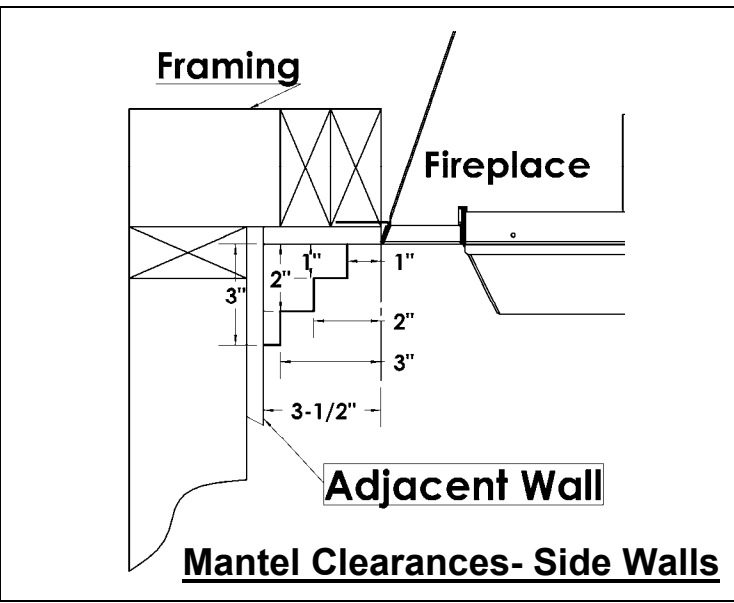
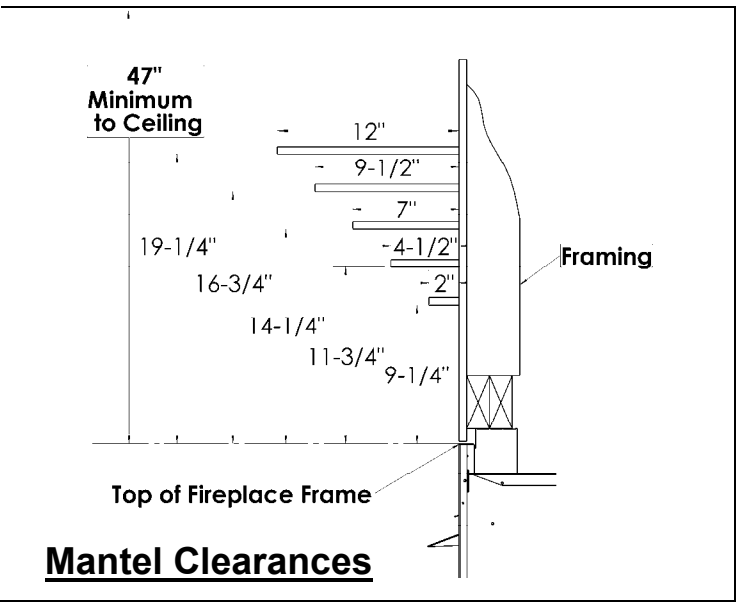
- Improper installation, adjustment, alteration, service, or maintenance can cause injury or property damage. Read the installation, operating and maintenance instructions thoroughly before installing or servicing this equipment.
- Ensure the minimum clearances shown are maintained. Left and right clearances are determined when facing the front of the unit.
- Maintain the minimum clearances. If you can, provide greater clearances from the floor, ceiling, and adjoining wall.

Minimum Wall and Ceiling Clearances

- Clearances from the firebox to adjacent wall should not be less than 3-1/2 inches.
- Clearance from the top of the fireplace front to the ceiling should not be less than 47 inches.
- Clearance from the bottom of the firebox to the floor is 0 inches.
- Clearance from the side of the fireplace to the enclosure is 0 inches.
- Clearance from the top of the fireplace standoffs is 0 inches.

Notice

A qualified service person must install firebox. Follow all local codes.

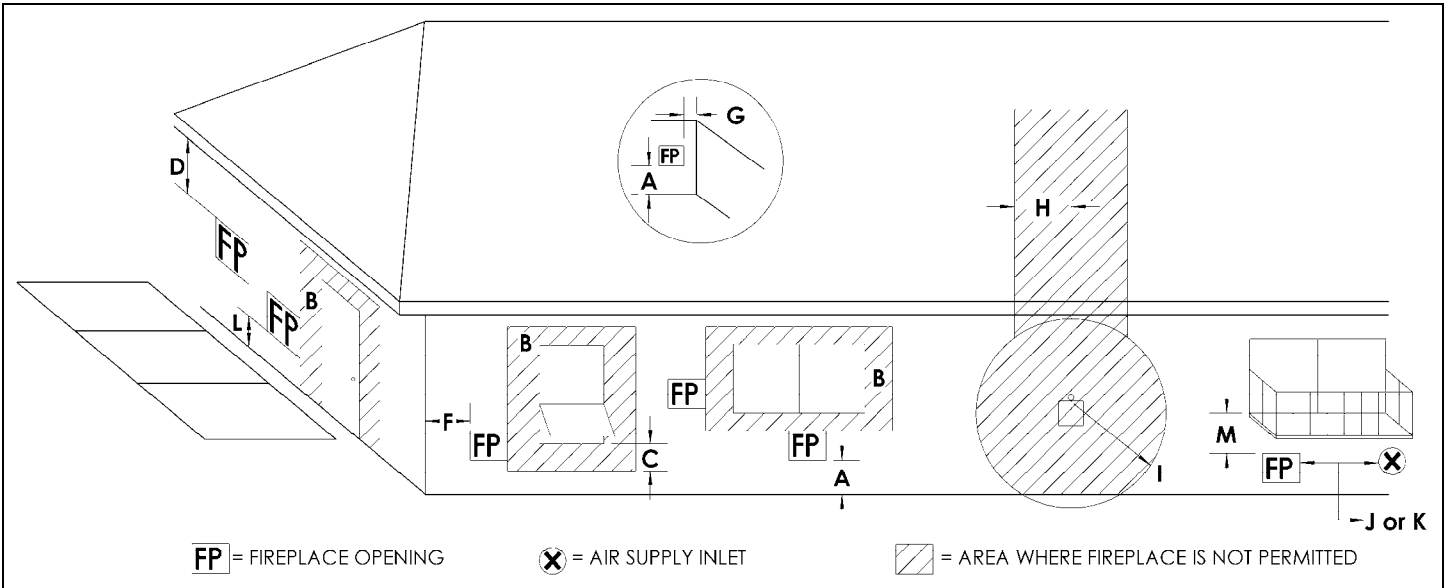


OFP42N / OFP42LP Screened Porch Installation

- The OFP42N and OFP42LP can be installed safely in a screened porch area within the following guidelines:
- Minimum porch area..... 96sq. feet
 - Minimum ceiling height92" inches

A minimum of two (2) walls can be screened, but must be open to outside ventilation, with a minimum screen area of 64 sq. feet, and a minimum side wall height of 78" inches.

Clearance Specifications 420FP



A =	2in.....	Clearances above grade, veranda, porch, deck or balcony.	I =	3ft (USA)..... 6ft (Canada)	Clearance to service regulator vent outlet and electric service.
B =	12in..... 36in.....	Clearances to window or door that may be opened, or to permanently closed window. Vinyl windows or siding.	J =	9in (USA)..... 12in (Canada)	Clearance to non-mechanical air supply inlet to building or the combustion air inlet to any other appliance.
C =	12in.....	Clearance below an operable window.	K =	3ft (USA)..... 6ft (Canada)	Clearance to a mechanical air supply inlet
D =	47in..... 60in.....	Vertical clearance to unventilated soffit or to or to ventilated soffit located above the fireplace. Vinyl clad soffits.	L* =	54in.....	Clearance above paved sidewalk or a paved driveway located on public property.
G =	3-1/2in..... 48in.....	Clearance to inside corner. Vinyl windows or siding.	M** =	47in.....	Clearance under veranda, porch, deck, balcony or overhang.
H =	3ft. (Canada)	Not to be installed above a gas meter/regulator assembly within 3ft horizontally from the center line of the regulator.		Not allowed....	Vinyl.

Minimum Floor to Ceiling Height is 85 inches.

NOTE: Diagrams & Illustrations not to scale.

* A fireplace shall not open directly above a sidewalk or paved driveway which is located between two single family dwellings and services both dwellings.

**Only permitted if veranda, porch, deck or balcony is fully open on a minimum of 2 sides beneath the floor, or if the screened porch guidelines are followed.

Note 1: Local codes or regulations may require different clearances.

The OFP42N and OFP42LP can be installed safely in a screened porch area within the following guidelines:

Minimum porch area..... 96sq. feet
Minimum ceiling height92" inches

A minimum of two (2) walls can be screened, but must be open to outside ventilation, with a minimum screen area of 64 sq. feet, and a minimum side wall height of 78" inches.

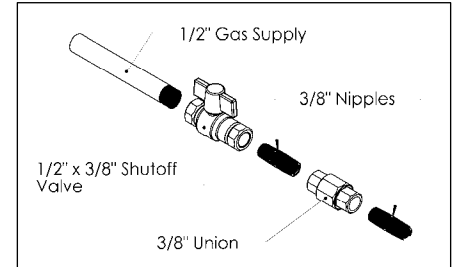
Note: There may be some odor and small amounts of soot associated with burning the fireplace in a screened porch. Ensuring good cross draft ventilation and routine maintenance of the fireplace will maximize comfort and cleanliness.

Use only materials supplied with or recommended for this fireplace.

OFP42N / OFP42LP Gas Line Installation

This gas appliance should be installed by a qualified installer in accordance with local building codes and with current CAN/CGA - B149.1 or .2 installation codes for Gas Burning appliances and equipment in Canada and the National Fuel Gas Code ANSI Z223 in the U.S.A.

1. The gas pipeline can be brought in through either the left side or the bottom of the appliance. A knockout is provided at either location to allow for the gas pipe installation and testing of any gas connection.
2. The gas control inlet is 3/8" NPT. Typical installation layout for rigid pipe is shown at right.
3. When using copper or flex connector, use only approved fittings. Always provide a union so that gas line can be easily disconnected for burner or fan servicing. See gas specification for pressure details and ratings.
4. When a vertical section of gas pipe is required for the installation, a condensation trap is needed. See CAN/CGA-B149.1 or .2 for code details.
5. For natural gas, a minimum of 1/2" iron pipe with gas minimum pressure of 5.5" w.c. must be used for supply from the gas meter. Consult with the local gas utility if any questions arise concerning pipe sizes.
6. Ports are accessible for test gauge connection both on the inlet and outlet of the gas valve.
7. Turn the gas supply ON and check for leaks. **DO NOT USE OPEN FLAME FOR THIS PURPOSE.** Use an approved leak testing solution.
8. The appliance and its individual shutoff valve must be disconnected from the gas supply piping system during any pressure testing of that system at test pressures in excess of 1/2psig [3.5 KPa].
9. The appliance must be isolated from the gas supply piping system by closing its individual shutoff valve during any pressure testing of the gas supply piping system at test pressures equal to or less than 1/2psig [3.5 KPa].



Note: The gas line connection may be made of 1/2" rigid pipe, 1/2" copper pipe or an approved flex connector. Since some municipalities have additional local codes, it is always best to consult your local authorities and the current CAN/CGA - B149.1 or .2 installation code in Canada or the National Fuel Gas code ANSI Z223.1 in the U.S.A.

For the state of Massachusetts a T-handle gas shut-off valve must be used on a gas appliance. This T-handle gas shut-off valve must be listed and approved by the state of Massachusetts. This is in reference to the state of Massachusetts state code CMR238.

IMPORTANT: Always check for gas leaks with a soap and water solution. **DO NOT USE OPEN FLAME FOR LEAK TESTING.**

-Gas Specifications-

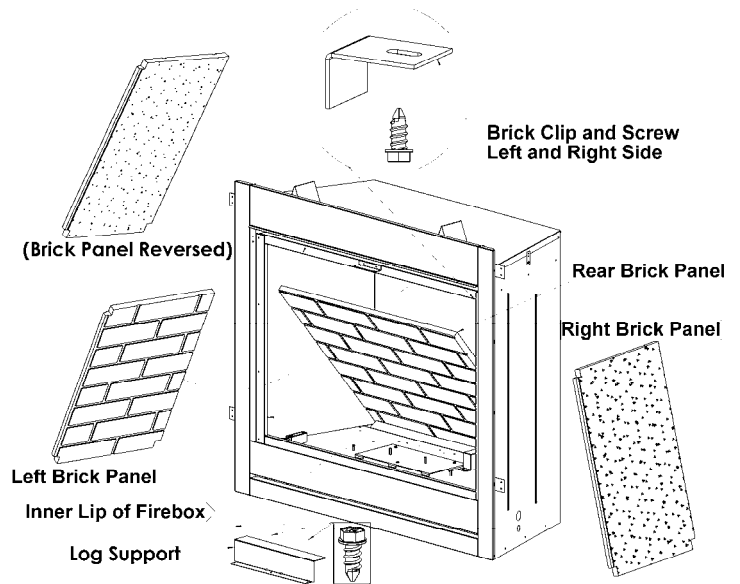
Models	OFP42N		OFP42LP
Fuel	Natural Gas		Propane
Gas Control	Millivolt Adjustable		
Maximum Input	38,000Lo / 55,000Hi		44,000Lo / 55,000Hi
Orifice Size (0-4500ft)	#20		#42
Air Shutter	1/4" Open		Fully Open
Gas Inlet Size	S.I.T. 820 Nova, 3/8" NPT		
Gas Supply Pressure	Minimum	Normal	Maximum
Natural Gas	5.5"	7"	10"
Liquid Propane	11"	11"	13"
Manifold Pressure High	3.5" w.c. [0.87KPa] NG		10" w.c. [2.61KPa] LP
Manifold Pressure Low	1.6" w.c. [0.40KPa]		6.3" w.c. [1.57KPa]

OFP42N/OFP42LP Installing Brick Panels

Installing Brick Panels

1. Remove Brick Clips and Screws from inside Firebox Top.
Remove Log Support.
Do not discard these items.
2. Place Rear Brick Panel up against the back of the Firebox.
3. Tilt and slide Side Brick Panels into position in the sides of the Firebox. The Side Brick Panels should be against the face of the Rear Brick Panel, and behind the Inner Lip of the Firebox.
4. Re-insert the Brick Clips and Screws in the Firebox Top.
Replace Log Support.

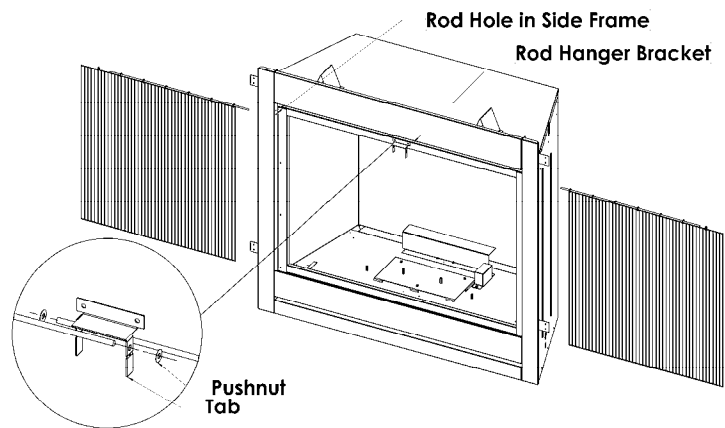
***Note:** Brick Panels can also be installed reversed, with the brick pattern against the firebox wall. This will give a dark, Textured Stone look to the inside of the firebox.



OFP42N/OFP42LP Installing Curtain and Hood

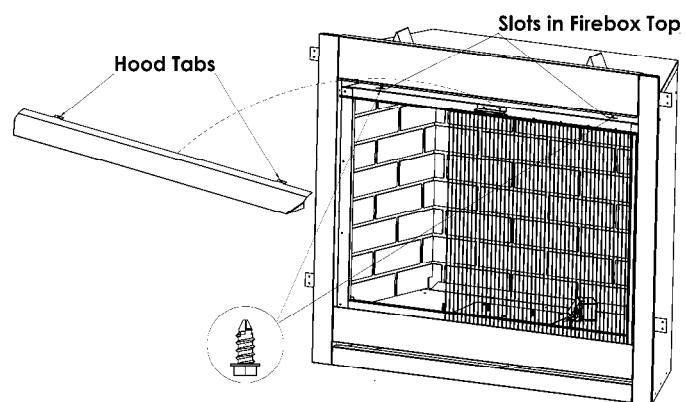
Curtain

1. Slide curtain onto rod.
2. Slide rod into hole in Side Frame.
3. Slide rod into Rod Hanger Bracket.
4. Press on Pushnut.
5. Bend up Tab to lock rod & curtain into place.
6. Repeat for opposite side.



Hood

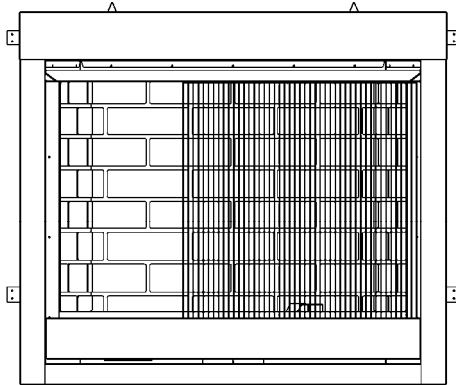
1. Remove DT Screws from inside top of Firebox.
2. Slide Hood Tabs into slots in Firebox top.
3. Re-insert DT screws through hood and into firebox top.



OFP42N/OFP42LP Installing Stainless Steel Surround

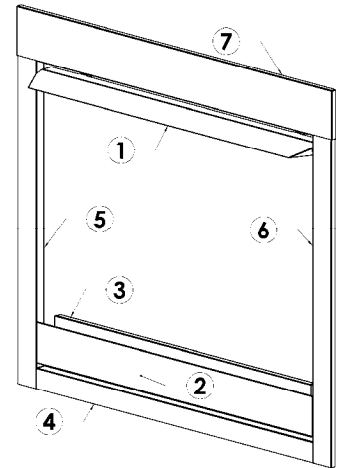
-Part Number OFP42SS-

A Stainless Steel Surround is available as an option for the OFP42N/OFP42LP.
(Install before finishing with decorative material on facing of enclosure.)



OFP42SS Parts List

ITEM NO.	PART NUMBER	DESCRIPTION	Quantity
1	42OFP-108-SS	DEFLECTOR HOOD	1
2	42OFP-SS	Access Panel	1
3	42OFP-330-SS	Firebox Ledge Cap	1
4	42OFP-331-SS	Bottom Cover	1
5	42OFP-332-SS	SS Surround Left Side	1
6	42OFP-332R-SS	SS Surround Side Right	1
7	42OFP-333-SS	SS Surround Top	1
8	No. 6-375-SML	#6 SS screw	5

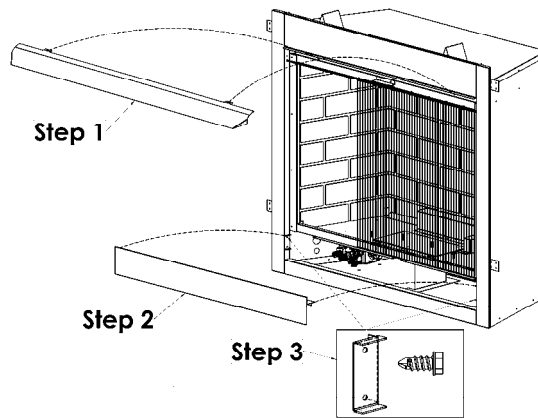


Part 1: Preparing the Fireplace

1. Remove the 2 DT Screws inside the Firebox Top and remove the Deflector Hood from the top of the unit.
2. Lift Access Panel and remove.

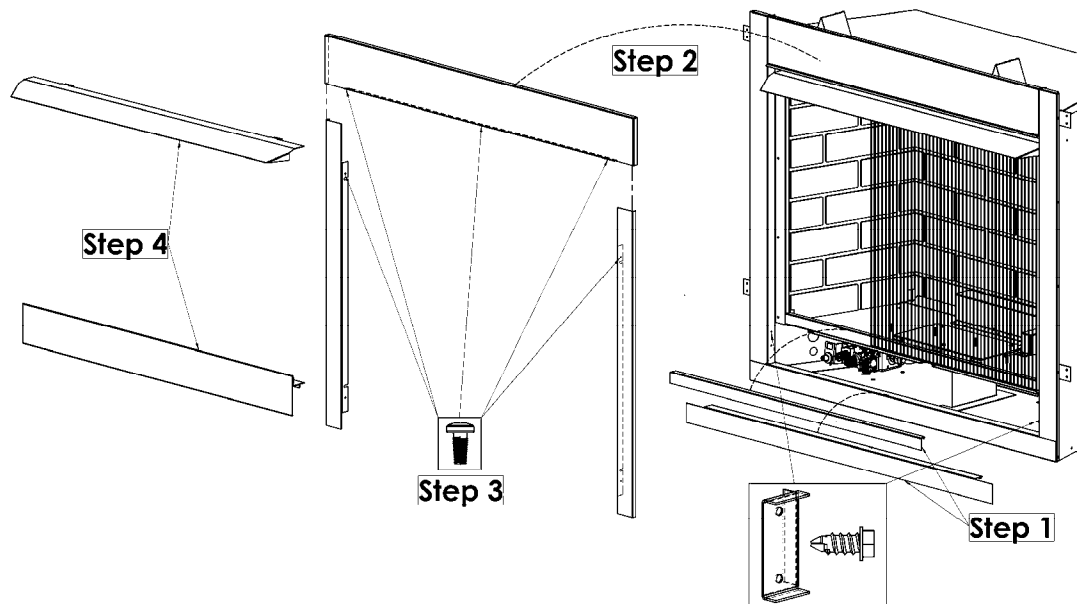
Set these 2 items aside as they will be replaced by parts of the Surround.

3. Remove Access Panel Brackets by removing DT Screws. **These Brackets will be reused with the Surround.**



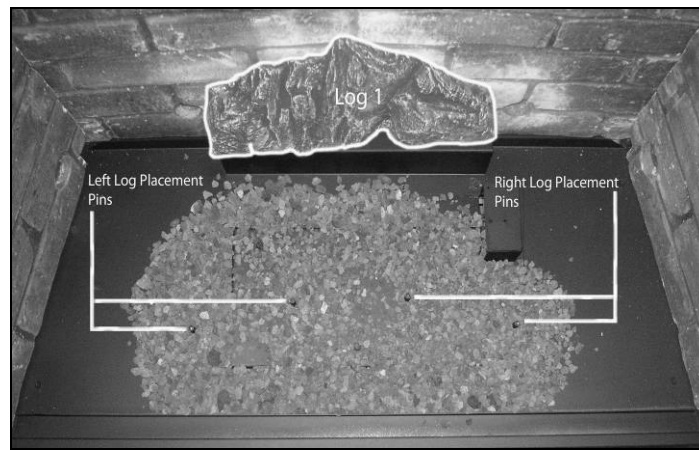
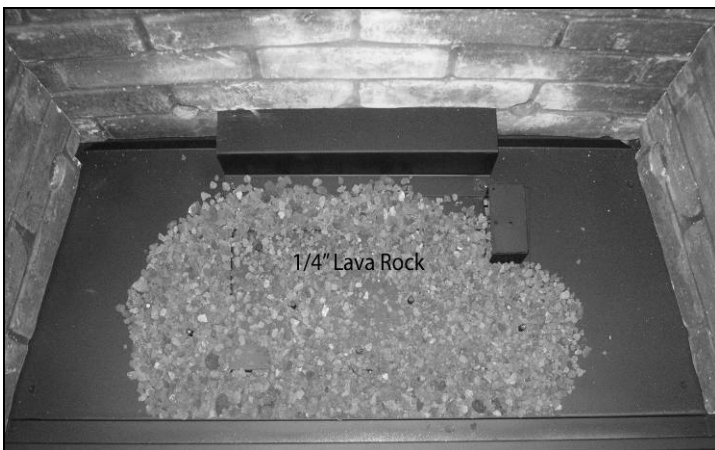
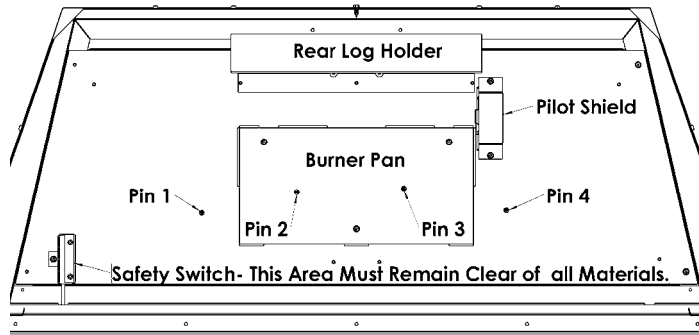
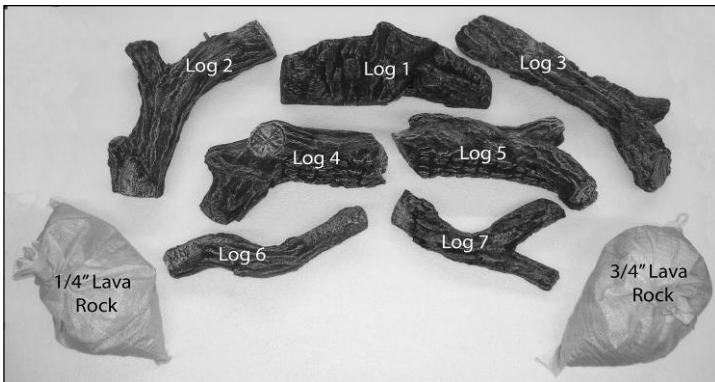
Part 2: Installing the Surround (See Surround Drawing above for reference.)

1. Place Firebox Ledge Cap(3) and Bottom Cover(4) into position on the Fireplace.
2. Slide Surround Top(7) onto Surround Sides(5&6). Place Surround Top and Sides onto fireplace.
3. Insert Screws into holes in the inside edge of the Surround Top, and into Sides just above the Curtain Rod.
4. Replace the Deflector Hood and Access Panel removed in Part 1 with the Stainless Steel Surround parts.



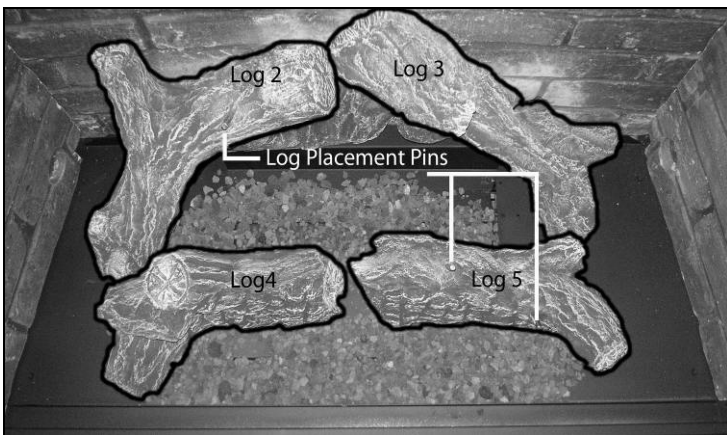
LOGF37 INSTALLATION FOR OFP42

- #1: 1 Bag of Small 1/4" Lava Rock - Supplied with Unit
- #2: 1 Bag of Large 3/4" Lava Rock – Supplied
- #3: LOGF37 – Outdoor 7 Piece Burnt Oak



Step #1 – Place 1/4" Lava Rock onto and around outer Perimeter of the Pan Burner as shown. Leave the Log Placement Pins exposed.

Step #2 – Place Log 1 onto Rear Log Holder and up to Brick Panel.



Step #3 – Place Logs 2-3 on top of Log 1, Locate holes On bottom of logs 4-5 and place these onto Log Placement Pins as shown in the Photograph above.

Step #4 – Locate holes on Logs 6-7 and place these onto Locating Pins of Logs 2-5, place Large Lava Rock around and in front of Log Set as shown.

MQROCK Set-up OFP42

Marquis (MQ) products are available through Marquis Dealers.

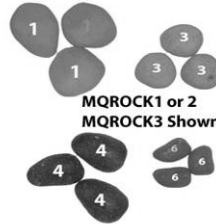
Parts List

#1: 1 Bag of Small 1/4" Lava Rock – Supplied with Unit

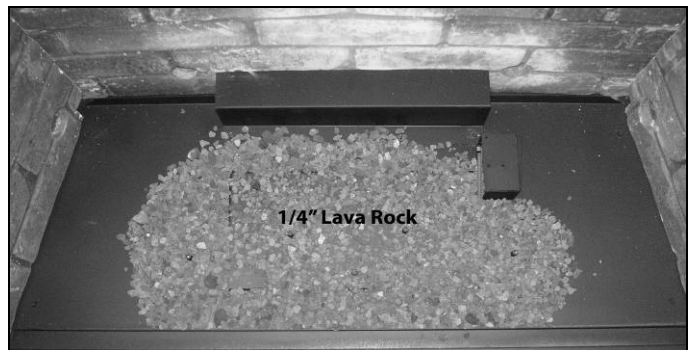
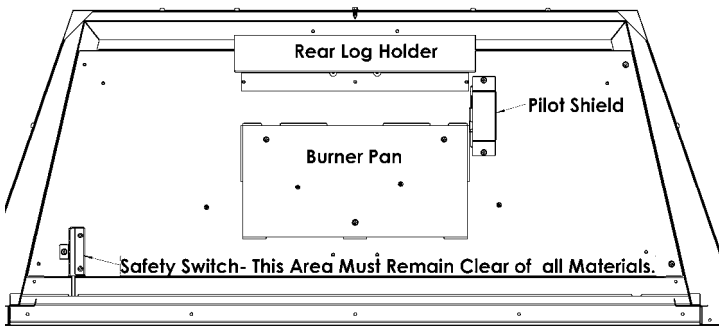
#2: MQROCK 2 or 3 – Box of 30 Rocks (MQROCK 3 shown below)

#3: MQG10W or MQG10B – Decorative Glass White or Black (Not Shown)

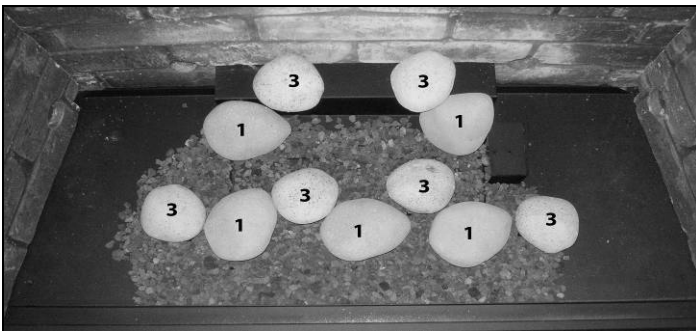
Do NOT use any materials other than those supplied or specified for this fireplace.



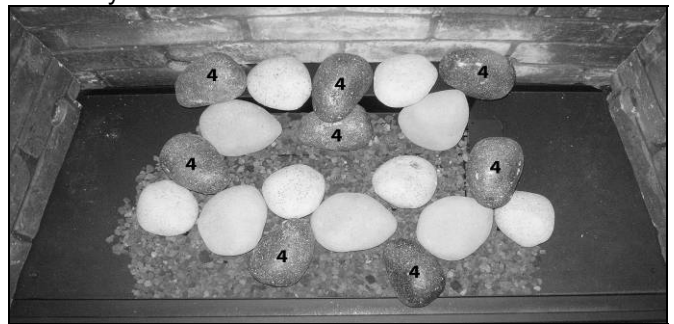
NOTE: 1/4" Lava Rock maybe substituted with MQG10W-B



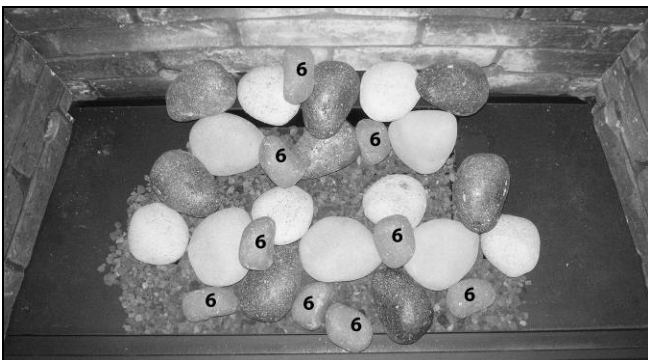
Step #1 - Place 1/4" Lava Rock Onto and around Burner Pan as shown, Do Not place lava rock into pilot shield assembly area.



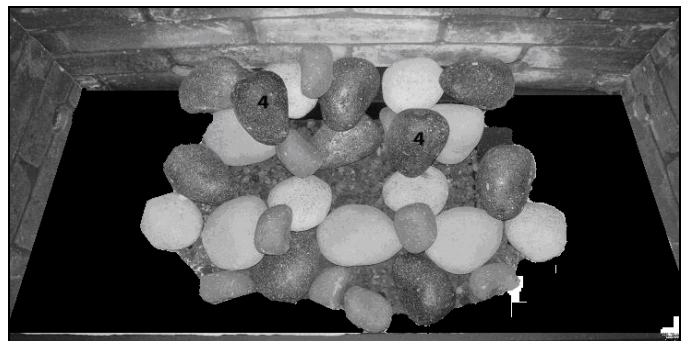
Step #2 – Suggested MQROCK Placement. Position rocks 1 and 3 as shown.



Step #3 – Position rock 4 as shown.



Step #4 – Position rock 6 as shown.



Step #5 – Position remaining rock 4 as shown.

MQG10(W-B) and MQROCK Set-up OFP42

Marquis (MQ) products are available through Marquis Dealers.

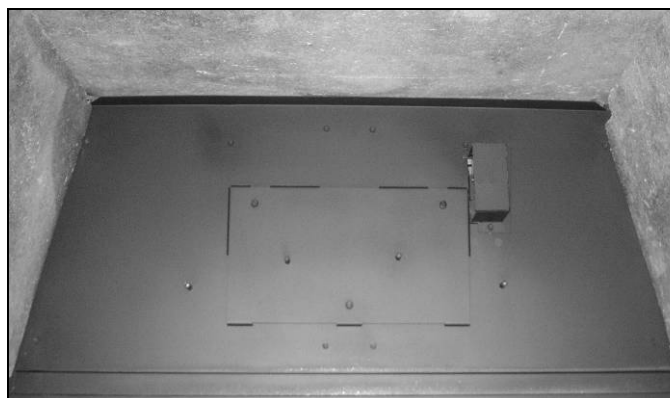
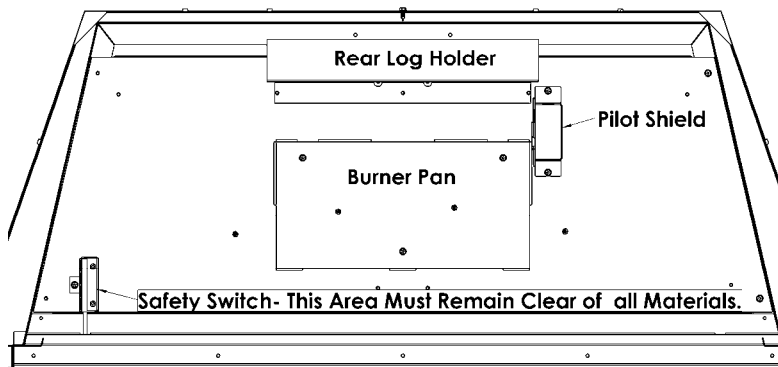
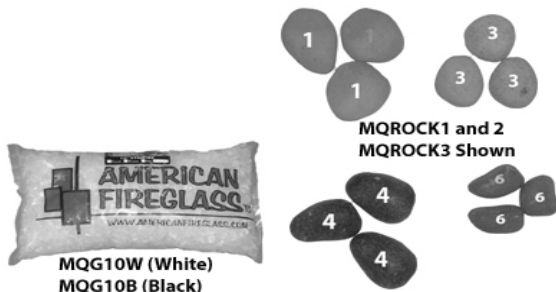
Parts List

#1: 1 Bag of Small 1/4" Lava Rock – Supplied with Unit (*Not Used for this Set-up*)

#2: MQROCK 2 or 3 – Box of 30 Rocks (MQROCK3 shown below)

#3: MQG10W or MQG10B – Decorative Glass White or Black

Do NOT use any materials other than those supplied or specified for this fireplace.



Step #1 - Remove Rear Log Holder.



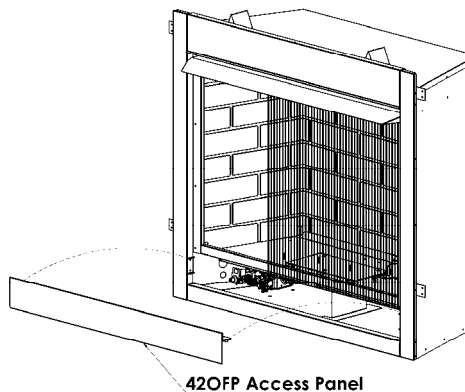
Step #2 – Place Glass onto and around Burner Pan as shown, do not place glass into the Pilot Shield assembly area. **NOTE: It is not necessary to place rocks over glass.**



Step #3 – Position Rocks as per MQROCK Set-up or position randomly as shown.

OFP42NG/OFP42LP Lighting Instructions

1. Remove Front Panel in order to access Igniter and valve controls.
(To remove Access Panel, simply lift upward, and then pull forward.)



42OFP Access Panel

2. Refer to Millivolt Lighting Instructions below.

FOR YOUR SAFETY READ BEFORE LIGHTING

WARNING: If you do not follow these instructions exactly, a fire or explosion may result causing property damage, personal injury or loss of life.

BEFORE LIGHTING

A This appliance has a pilot which must be lighted by hand. When lighting the pilot, follow these instructions exactly.

B Smell all around the appliance area for gas. Be sure to smell next to the floor because some gas is heavier than air and will settle on the floor.

WHAT TO DO IF YOU SMELL GAS

- Do not try to light an appliance.
- Do not touch any electrical switch; do not use any phone in your building.
- Immediately call your gas supplier from a neighbour's phone. Follow the gas supplier's instructions.

C If you cannot reach your gas supplier, call the fire department.

D Use only your hand to push or turn the gas control knob. Never use tools. If the knob will not push in or turn by hand, don't try to repair it, call a qualified technician. Force or attempted repair may result in a fire or explosion.

D Do not use this appliance if any part has been under water. Immediately call a qualified service technician to inspect the appliance and to replace any part of the control system which has been under water.

LIGHTING INSTRUCTIONS

1. Stop! Read the safety information above on this label.
2. Set the thermostat to lowest setting.
3. Turn off all electrical power to the appliance.
4. Locate valve under the burner assembly.
5. If the control knob is not already in the off position, ie. the word "OFF" in the 9 o'clock position, then push in the gas control knob slightly and turn clockwise to "OFF".
NOTE: Knob cannot be turned from "PILOT" to "OFF" unless knob is pushed in slightly. Do not use force.
6. Wait five (5) minutes to clear out any gas. If you then smell gas. STOP! Follow "B" in the safety information above on this label. If you don't smell gas then go to the next step.
7. Now push in the control knob slightly and turn counter-clockwise to the "PILOT" position.
8. Push in the control knob all the way and hold it. With the other hand push in the red igniter button until you hear a click. Now observe closely the pilot burner located on the rear center-left hand side of the main burner. If a flame has appeared then continue to depress the control knob for 20 seconds. If the flame did not appear then continue to depress the red igniter button every 5 seconds until a flame is established. NOTE: If after 30 seconds a flame has not yet been established then turn the control knob back to the off position and repeat steps 5, 6 & 7.
9. Once the pilot has been established hold the control knob in the depressed position for approximately 25 seconds before releasing. If the flame goes out then repeat steps 7 and 8.
10. Now turn the control knob to the "ON" position. The burner will not light unless the wall switch thermostat or remote control is turned "ON" or in the case of the thermostat there is a call for heat.
11. Close the access door and turn all electric power back to the appliance.

TO TURN OFF THE APPLIANCE

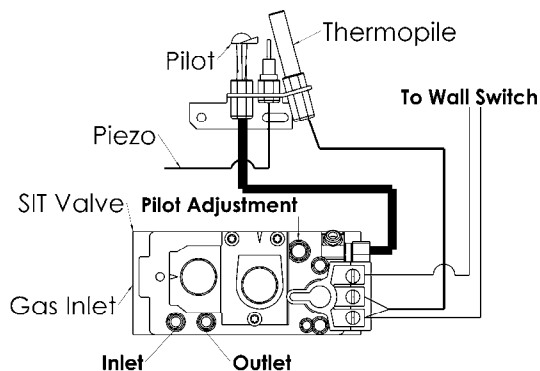
1. Set the thermostat to lowest setting.
2. Turn off all electric power to the appliance if service is to be performed.
3. Open the control access door.
4. Push in the gas control knob slightly and turn clockwise to the "OFF" position. Do not force.
5. Replace control access panel.

Recommended Maximum Lead Length (Double Wire)
When Using Wall Switch

Wire Size	Max. Length
14ga	100ft.
16ga	64ft.
18ga	40ft.
20ga	25ft.
22ga	16ft.

Pilot Burner Adjustment
Adjust pilot screw to provide proper sized flame.

Caution: Do not wire 120 Volt Power to millivolt switches or thermostat.



OFP42NG/OFP42LP Burner System Maintenance

It is recommended to annually inspect and clean the Burner System to prevent malfunction and / or sooting. This operation should be performed by your dealer or a qualified technician.

! -CAUTION-

Before servicing the burner system ensure that the gas supply is turned OFF and disconnect all electrical connections to the appliance. Allow the appliance to cool to room temperature. Note that the pilot assembly may be hot—even if the main burner was never on. Exercise caution when working within the area.

-ALL WORK SHOULD BE PERFORMED BY A QUALIFIED AND CERTIFIED TECHNICIAN-

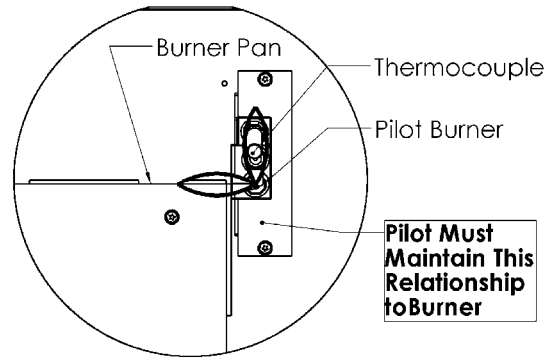
Monthly Flame Inspection

It is recommended to turn on the unit at least once a month and inspect the flame pattern to ensure there are no problems with the burner tube.

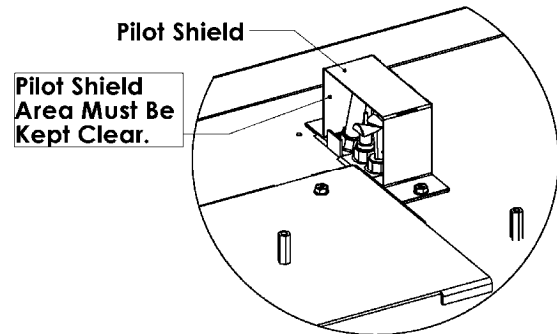


Flame should appear similar to above picture.

The pilot flame should also be inspected monthly to ensure proper operation.



Pilot Shield area must be kept clear.



OFP42NG/OFP42LP Conversion Kit Instructions – PART A

Kit Number	Description	Pilot Orifice	Burner Orifice Brass (1000-255)	Brass Nipple	Air Shutter	Hi/Lo Regulator
42OFP-CKLP	LP Conversion -Millivolt-	1001-P150SI #23	#42	1000-253closed	Fully Open	1001-P202SI (0.907.202)
42OFP-CKNG	NG Conversion -Millivolt-	1001-P132SI #37	#20	1000-253closed	1/4"	1001-P201SI (0.907.201)

Refer to "**Gas Specifications Chart**" for inlet pressures and input ratings. Clock meter to verify input rate. Place conversion label as close to converted gas control as possible. Refer to lighting instructions to verify the normal operating sequence of the ignition system.

IMPORTANT: Always check for gas leaks with a soap and water solution. **DO NOT USE OPEN FLAME FOR LEAK TESTING**

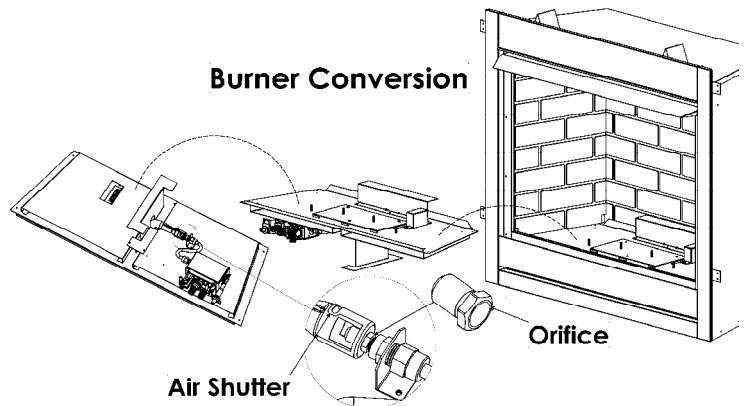
OFP42N / OFP42LP Gas Conversion -Burner-Part A

Warning!


This conversion kit shall be installed by a qualified service agency in accordance with the manufacturer's instructions and all applicable codes and requirements of the authority having jurisdiction. If the information in these instructions is not followed exactly, a fire, explosion, or production of carbon monoxide may result in causing property damage, personal injury or loss of life. The qualified service agency is responsible for the proper installation of this kit. The installation is not proper and complete until the operation of the converted appliance is checked as specified in the manufacturer's instructions supplied with the kit.

-Burner Conversion-

1. Shut off and Disconnect the gas supply to the appliance.
2. Remove Burner Pan Assembly from the Fireplace bottom by removing the screws in each corner of the firebox.
3. Invert Burner Pan.
4. Adjust Air Shutter opening to appropriate size:
NG 1/4" Open – LP Fully Open.
5. Remove existing Orifice and replace with new one: **NG #20 – LP #42.**
6. Replace Burner Pan.



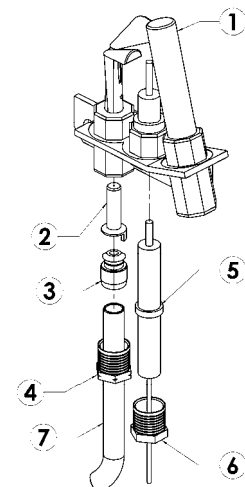
OFP42N / OFP42LP Gas Conversion -Pilot- Part B

1. Shut off the gas supply to the appliance.
 2. Allow the pilot burner to cool to room temperature.
-  Warning:** Touching a hot pilot burner can result in injury.
3. Using a 10mm wrench, remove the pilot tube from the pilot burner assembly. The olive and injector can now be removed from the bottom of the pilot hood.
 4. Verify that the new injector is proper for the application. LPG injectors have a RED top surface, while NG injectors do not. Refer to the Parts List in this manual for the proper injector.
 5. Insert new injector into bottom of pilot hood. Replace olive and reconnect pilot tube.

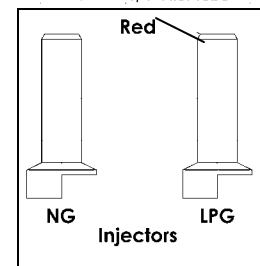
Warning!

This conversion kit must only be applied as part of a conversion kit supplied by the appliance Manufacturer for the specific appliance, and type of gas being converted.

Installer Notice: These instructions must be left with appliance.



ITEM NO.	PART NUMBER
1	Thermopile
2	Injector
3	Olive
4	Pilot Tube Nut
5	Spark Electrode
6	Electrode Nut
7	1/4" Pilot Tube



installation instructions

7 252 136

820 NOVA mV

Modulating Conversion Kit

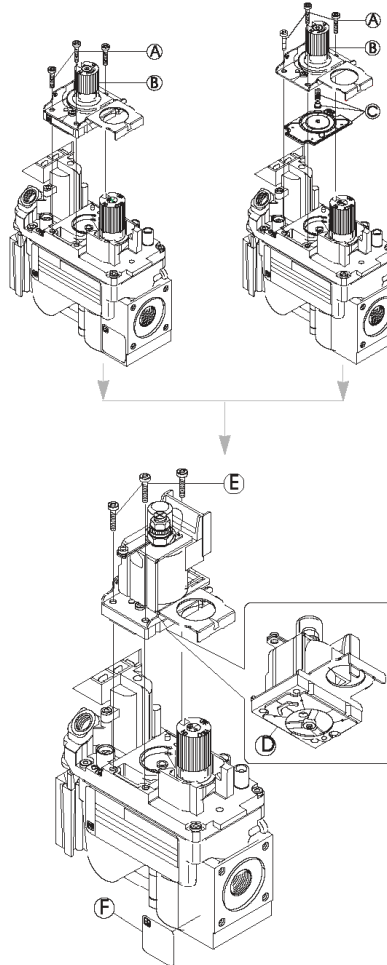


WARNING!

The installation of this conversion kit must only be undertaken by a qualified and certified gas appliance installer.

MODULATING PRESSURE REGULATOR CONVERSION KIT INSTALLATION OR REPLACEMENT INSTRUCTIONS.

- 1 Turn control knob to the OFF position, and shut off the gas supply to the valve.
- 2 Using a Torx T20, or slotted screwdriver, remove and discard the three pressure regulator mounting screws (A), pressure regulator tower (B), and the spring and diaphragm assembly (C). (If applicable)
- 3 Insure that the rubber gasket (D) is properly positioned and install the new modulating pressure regulator assembly to the valve using the new screws (E) supplied with the kit. Tighten screws securely. (Reference torque = 25 In.Lb.)
- 4 Install the enclosed identification label (F) to the valve body where it can be easily seen.
- 5 Apply gas to system and re-light appliance according to manufacturers instructions.
- 6 With the main burner "ON", test the new pressure regulator assembly for leaks using a soap solution.
- 7 Relight the main burner in both the HI and LO positions, and verify proper burner ignition and operation.



WARNING!

This modulating conversion kit must ONLY be applied as part of a conversion kit supplied by the APPLIANCE MANUFACTURER for the specific appliance, and type of gas, being converted.

INSTALLER NOTICE. These instructions must be left with appliance.



SIT Group

OFP42N/OFP42LP Troubleshooting the Gas Control System

NOTE: Before troubleshooting the gas control system, be sure external gas shut off is in the "ON" position.

Problem	Possible Causes	Corrective Action
Spark igniter will not light	Defective or misaligned electrode at pilot.	Check for spark at electrode and pilot: if no spark and electrode wire is properly connected, replace igniter.
	Defective igniter (push-button)	Using a match, light pilot. If pilot lights, turn off pilot and push the red button again. If pilot will not light, check gap at electrode and pilot- gap should be 1/8" to 1/4" to have a strong spark.
Pilot will not light	Safety Switch is Depressed.	Clear any obstructions and make sure Lever Arm is not bent or damaged (See Panel 2 page 10 for Safety Switch Location) .
Pilot will not stay lit after carefully following lighting instructions.	Defective Valve Magnet	Turn valve knob "ON", place wall switch "ON". Millivolt meter should read greater than 100mv. If the reading is okay and the burner does not come on, replace the gas valve.
Pilot burning, no gas to burner, Valve knob "ON", Wall Switch "ON"	Wall Switch or wires defective	Check wall switch and wires for proper connections. Jumper wire across terminals at wall switch. If burner comes on, replace defective wall switch. If okay, jumper wire across wall switch wires at valve. If burner comes on, wires are faulty or connections are bad.
	Generator may not be generating sufficient voltage	Check generator with millivolt meter. Take reading at generator terminals of gas valve. Should read 325 millivolts minimum while holding valve knob depressed in pilot position and wall switch "OFF". Replace faulty generator if reading is below specified minimum.
	Plugged burner orifice	Check burner orifice for stoppage and remove.
Frequent Pilot outage problem	Defective automatic valve operator	Remove all switch wires from gas valve. Install jumper wires from TPTH and TH terminals of gas valve. Turn valve "ON". If main burner does not light, replace valve.
	Pilot flame may be too low or blowing (high) causing the pilot safety to drop out.	Clean and/or adjust pilot flame for maximum flame impingement on generator .
	Windy Conditions.	Close Pullscreens

OFP42N/OFP42LP -Cleaning -

It is recommended to annually inspect and clean the unit to prevent malfunction and / or sooting. This operation should be performed by your dealer or a qualified technician.

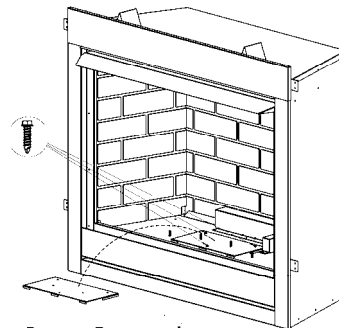
-Carefully remove contents of firebox (log set, Rocks, Glass, etc.). Gloves are recommended.-

Warning

Turn off Unit and allow to cool before cleaning. Only a qualified service technician should service and repair appliance.

Annual Cleaning / Inspection

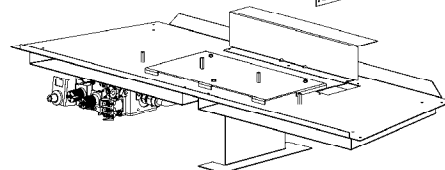
- Do not use cleaning fluids to clean logs.
- Use a soft bristle brush or a vacuum with brush attachment.
- Vacuum loose particles and dust from burner and valve
- Inspect Burner Plate, Pilot, Valve, and Mixing Sleeve for spider webs or other blockages.
- Replace contents of firebox. **Refer to the appropriate page in this manual for proper placement of contents, such as logs.**



Burner Removal



Pilot Removal

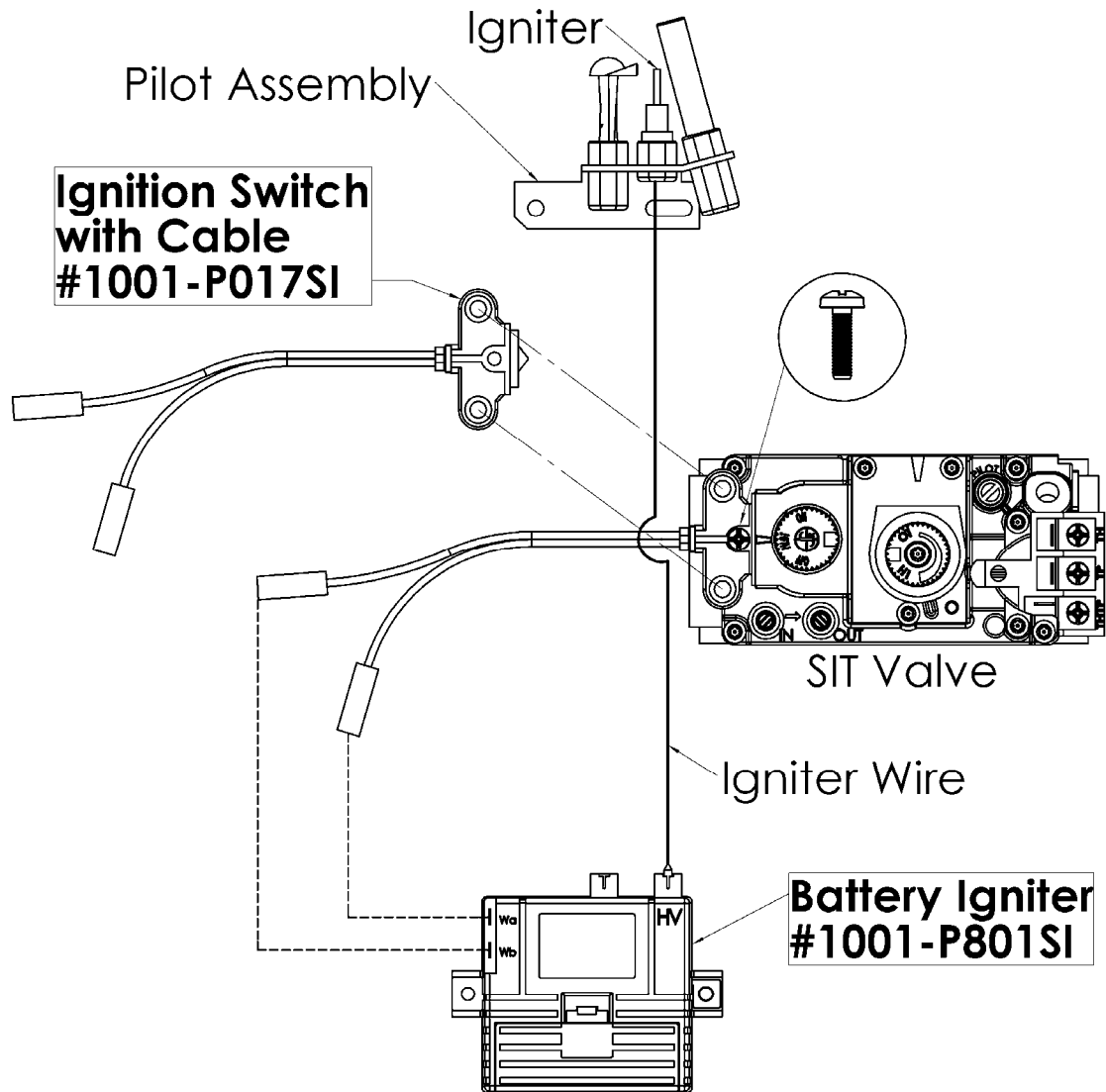


(Burner Assembly shown removed for clarity.)

OFP42N / OFP42LP -Electronic Spark Assist-

(Part Number OFP42SA)

A Battery powered module is available to assist in lighting the pilot burner. See below for installation.



OFP42WC -Weather Cover-

An optional Weather Cover is available to protect the inside of the unit when not in use.

Assembly Instructions

1. Insert Carriage Bolts through handles and into front of Fireplace Cover.
2. Place [2] washers and nut onto bolts on the back side of the Fireplace Cover.
3. Tighten nuts with a 7/16" wrench.

Installation Instructions

1. Turn Valve Control Knob to the off position and wait until the fireplace is cool.
2. Move Curtains toward the center of the fireplace, allowing a 7 1/2" space between curtains and frame sides (See **fig.1** below).
3. Slide the Weather Cover up behind the top lip of the firebox. Then Push the bottom of the Weather Cover into the firebox and allow it to drop into place (See **fig.2** below).

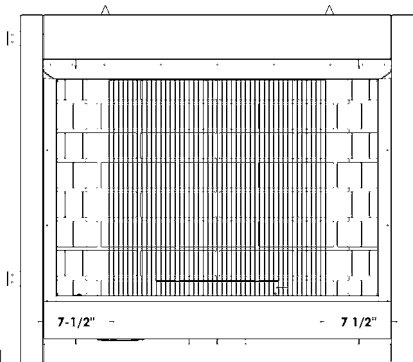
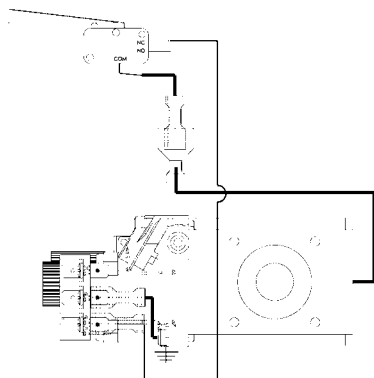


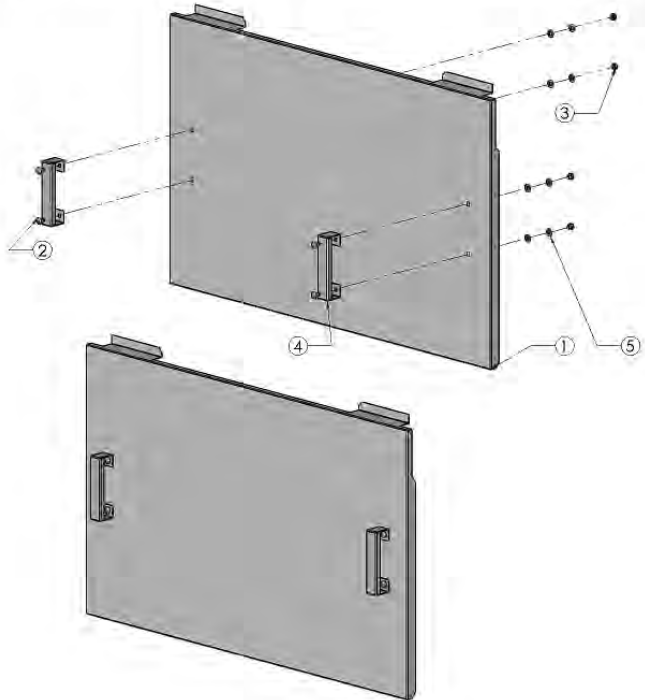
fig.1

Safety Switch- Wiring Diagram



Outdoor Fireplace Cover

ITEM NO.	PART NUMBER	DESCRIPTION	Default/QTY.
1	42OFP-114	Fireplace Cover	1
2	.250 SS CARIAGE BOLT		4
3	250-20 StainlessNut	1/4"-20 HEX NUT	4
4	42OFP-115	Handle	2
5	42OFP-133	Stainless Steel Washer	8



Cover Engages Safety Switch when Installed Properly.

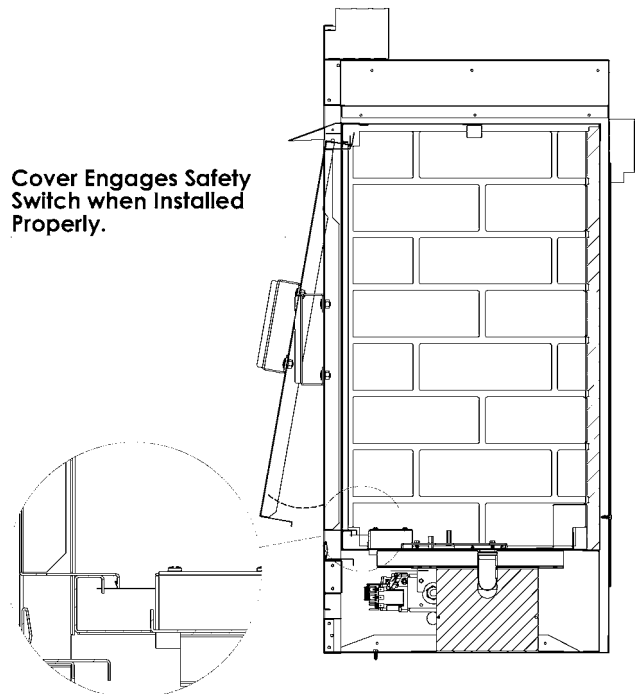


fig.2

Parts List for Models OFP42N/OFP42LP

Part No.	Description	Fireplace Accessories	
Fireplace Part Numbers		OFP42SS	Surround Stainless Steel Coverage (37"H x 42-3/16" W)
OFP42N	Outdoor Fireplace Black 55,000BTU	OFP42WCSS	Weather Cover (Stainless Steel)
OFP42LP	Outdoor Fireplace Black 55,000BTU	OFP42WCBL	Weather Cover (Black)
OFP42NS	Outdoor Fireplace Stainless 55,000BTU	OFP42-P642	Safety Switch (Weather Cover)
OFP42LPS	Outdoor Fireplace Stainless 55,000BTU	OFP42SA	Spark Assist
Replacement Burner Assembly		GFRC	Remote Control On/Off
42OFP-BNGSI	Burner Assembly- Natural Gas c/w Valve System	ZIRC	Remote Control Millivolt (On/Off with LED) (Model I)
42OFP-BLPSI	Burner Assembly- Liquid Propane c/w Valve System	DCHS	Remote Control Heatshield
Valve System Parts		Liners	
1001-P640SI	Valve NGTMV	OFP42RLT	Refractory Liner Traditional /Reversible
1001-P639SI	Valve LPTMV	OFP42RLH	Refractory Liner Herringbone /Reversible
1001-P503SI	Pilot NG	Miscellaneous and Replacement Parts	
1001-P504SI	Pilot LP	42OFP-126	Stainless Steel Pullscreens – 2 Each
1001-P136WR	Thermopile	42OFP-131	Pullscreen Rods – 2 Each
1001-P132SI	Pilot Orifice NG	42OFP-108	Deflector Hood
1001-P150SI	Pilot Orifice LP	42OFP-108SS	Deflector Hood
1000-220	Pilot Tube ¼"	1000-214	#Piezo Igniter 1244-17 MARK 21
1001-P069SI	Electrode Sparker 915.069 TC SIT	1000-215	#Pal Nut (18MMX1.5MM)BLK(1364.03)
Fireplace Requirements		1000-218	#Switch Ivory (1451/001)
Log Sets or Rock Kits required for Fireplace		1000-255	#Orifice Brass – (State Size)
LOGF37	Log Set -7pce. Burnt Oak	Conversion Kit (SIT Valve Only)	
MQROCK1	Rock Set Tan	42OFP-CKNG	NG Conversion Kit
MQROCK2	Rock Set Natural	42OFP-CKLP	LP Conversion Kit
MQROCK3	Rock Set Multi-Color		
MQG10W	Decorative Glass ½" White 10lbs.		
MQG10B	Decorative Glass ¼" Black 10lbs.		

OFP42N/OFP42LP – Limited Warranty



LIMITED LIFETIME WARRANTY

This Limited Lifetime Warranty applies only while the unit remains at the site of the original installation and only if the unit is installed inside the continental United States, Alaska, Hawaii, and Canada. The warranty applies only if the unit is installed and operated in accordance with the printed instructions and in compliance with applicable installation and building codes and good trade practices.

BASIC ONE YEAR WARRANTY

During the first year after installation, we will provide a replacement for any component part of your unit found to be defective in materials or workmanship, including labour costs. Repair work requires prior approval by Kingsman, labour costs are based on a predetermined rate schedule and any repair work must be done through an authorized Kingsman dealer.

LIMITED LIFETIME WARRANTY

The heat exchanger, combustion chamber and burner of every Kingsman product excluding the Outdoor Firepit are warranted against materials or workmanship during the period the product is owned by the original owner. The part to be replaced must be returned to our distributor in exchange for the replacement part. Any labor, material, freight and/or handling charges associated with any repair or replacement pursuant to this Limited Lifetime Warranty will not be covered by this warranty.

GENERAL TERMS

In lieu of providing a replacement part, we may, at our option, provide the distributor's component purchase price from us or a credit equal to the distributor's component purchase price from us toward the purchase of any new unit which we distribute. If a credit is given in lieu of a replacement part, the rating plate from the unit being replaced must be submitted on a warranty claim, and the unit being replaced must be made available to our distributor for disposition.

In establishing the date of installation for any purpose, including determination of the starting date for the term of this Limited Lifetime Warranty, reasonable proof of the original installation date must be presented*, otherwise the effective date will be based upon the date of manufacture plus thirty (30) days.

We will not be responsible for and you, the user, will pay for: (a) damages caused by accident, abuse, negligence, misuse, riot, fire, flood, or Acts of God (b) damages caused by operating the unit where there is a corrosive atmosphere containing chlorine, fluorine, or any other damaging chemicals (other than in a normal residential environment) (c) damages caused by any unauthorized alteration or repair of the unit affecting its stability or performance (d) damages caused by improper matching or application of the unit or the unit's components (e) damages caused by failing to provide proper maintenance and service to the unit (f) any expenses incurred for erecting, disconnecting or dismantling the unit (g) parts or supplies used in connection with service or maintenance (h) damage repairs, inoperation or inefficiency resulting from faulty installation or application (i) electricity or fuel costs or any increase in electricity or fuel cost whatsoever including additional or unusual use of supplemental electric heat.

We shall not be liable for any incidental, consequential, or special damages or expenses in connection with any use or failure of this unit. We have not made and do not make any representation or warranty of fitness for a particular use or purpose, and there is no implied condition of fitness for a particular use or purpose. We make no express warranties except as stated in this Limited Lifetime Warranty. No one is authorized to change this Limited Lifetime Warranty or to create for us any other obligation or liability in connections with this unit. Any implied warranties shall last for one year after the original installation. Some states and provinces do not allow the exclusion or limitation of incidental or consequential damages or do not allow limitations on how long an implied warranty or condition lasts, so the above limitations or exdu-sions may not apply to you. The provisions of this limited warranty are in additions to and not a modification of or subtraction from any statu-tory warranties and other rights and remedies provided by law.

Save this certificate. It gives you specific legal rights, and you may also have other rights which may vary from state to state and province to province.

In the event your unit needs servicing, contact your dealer or contractor who installed or serviced your unit. When requesting service, please have the model and serial number from each unit readily available. If your dealer needs assistance, the distributor is available for support and we, in turn support the distributor's efforts.

Fill in the installation date and model and serial numbers of the unit in the space provided below and retain this limited warranty for your files.

Model No. _____ **Serial No.** _____ **Date installed** _____

Dealer or Contractor Name: _____

*To receive advantage of your warranty, you must retain the original records that can establish the installation date of your unit.

The Ultimate in Design, Engineering & Quality