



WARRANTY REGISTRATION
enviro.com/warranty

Meridian | Cast Iron

FREESTANDING PELLET FIREPLACE

OWNER'S MANUAL



PLEASE READ THIS ENTIRE MANUAL BEFORE INSTALLATION AND USE OF THIS PELLET BURNING ROOM HEATER. FAILURE TO FOLLOW THESE INSTRUCTIONS COULD RESULT IN PROPERTY DAMAGE, BODILY INJURY OR EVEN DEATH

CONTACT YOUR BUILDING OR FIRE OFFICIALS ABOUT RESTRICTIONS AND INSTALLATION INSPECTION REQUIREMENTS IN YOUR AREA.

INSTALLER: LEAVE THIS MANUAL WITH THE STOVE.

CONSUMER: RETAIN THIS MANUAL FOR FUTURE REFERENCE.

50-3096

TABLE OF CONTENTS

Introduction.....	3
Rating Label Location.....	3
Important Safety Data.....	3
Safety Warnings And Recommendations.....	3
Pellet Quality.....	5
Emissions and Efficiencies.....	6
Installation.....	6
Deciding Where to Locate your Pellet Appliance.....	6
Removing Pellet Stove From Pallet.....	7
Dimensions.....	8
Clearances to Combustibles.....	8
Alcove Clearances	9
Mobile Home Installation.....	10
Vent Termination Requirements.....	11
Exhaust And Fresh Air Intake Locations.....	12
Outside Fresh-Air Connection.....	12
Corner Through Wall Installation.....	13
Horizontal Exhaust Through Wall Installation.....	13
Vertical Rise with Horizontal Termination Installation (Recommended).....	15
Through Concrete Wall with Vertical Rise Installations.....	15
Inside Vertical Installations.....	16
Outside Vertical Installations.....	17
Hearth Mount Installation.....	18
Installation with Exterior Mounted Exhaust Blower.....	19
Through Wall Vertical Installation with Exhaust Blower.....	21
Thermostat Installation.....	22
Operating Instructions.....	22
Control Board Functions.....	22
Automatic Safety Features of your Pellet Stove.....	23
Operating Your Pellet Stove.....	23
Turning Your Pellet Stove Off.....	24
Slider/Damper Set-Up.....	24
Guidelines for Fine-Tuning for Fuel Quality.....	25
Routine Maintenance and Cleaning.....	26
Troubleshooting.....	29
Wiring Diagram.....	32
Parts List - Components.....	33
Parts Diagram - Components.....	35
Parts Diagram - Cast and Steel.....	36
Rating Label.....	37
Notes.....	38
Warranty.....	39
Installation Data Sheet.....	40

INTRODUCTION

* This manual is designed for the technician in conjunction with the owner's manual. *

RATING LABEL LOCATION:

The rating label is located on a plate mounted on the back of the unit.

IMPORTANT SAFETY DATA:

Please read this entire Owner's Manual before installing or operating your ENVIRO Pellet Stove. Failure to follow these instructions may result in property damage, bodily injury or even death. Contact your local building or fire official to obtain a permit and any information on installation restrictions and inspection requirements for your area.

To prevent the possibility of a fire, ensure that the appliance is properly installed by adhering to the installation instructions. An ENVIRO dealer will be happy to assist you in obtaining information with regards to your local building codes and installation restrictions.

Be sure to maintain the structural integrity of the home when passing a vent through walls, ceilings, or roofs.

The stove's exhaust system works with negative combustion chamber pressure and a slightly positive chimney pressure. It is very important to ensure that the exhaust system be sealed and airtight. The ash pan and viewing door must be locked securely for proper and safe operation of the pellet stove.

Do not burn with insufficient combustion air. A periodic check is recommended to ensure proper combustion air is admitted to the combustion chamber. Setting the proper combustion air is achieved by adjusting the slider damper located on the left side of the stove.

When installing the stove in a mobile home, it must be electrically grounded to the steel chassis of the home and bolted to the floor. Make sure that the structural integrity of the home is maintained and all construction meets local building codes.

Minor soot or creosote may accumulate when the stove is operated under incorrect conditions such as an extremely rich burn (black tipped, lazy orange flames).

If you have any questions with regard to your stove or the above-mentioned information, please feel free to contact your local dealer for further clarification and comments.

SAFETY WARNINGS AND RECOMMENDATIONS:

Caution: Do not connect to any air distribution duct or system.

Do not burn garbage or flammable fluids such as gasoline, naphtha or engine oil.

Unit hot while in operation. Keep children, clothing and furniture away. Contact may cause skin burns.

SOOT: Operation of the stove with insufficient combustion air will result in the formation of soot which will collect on the glass, the heat exchanger, the exhaust vent system, and may stain the outside of the house. This is a dangerous situation and is inefficient. Frequently check your stove and adjust the slider/damper as needed to ensure proper combustion. **See: "SLIDER/DAMPER SETTING".**

CLEANING: There will be some build up of fly ash and small amounts of creosote in the exhaust. This will vary due to the ash content of the fuel used and the operation of the stove. It is advisable to inspect and clean the exhaust vent semi-annually or every two tons of pellets.

INTRODUCTION

ELECTRICAL: The use of a surge protected power bar is recommended. The unit must be grounded. The grounded electrical cord should be connected to a standard 115 volts (4.6 Amps), 60 hertz electrical outlet. Be careful that the electrical cord is not trapped under the appliance and that it is clear of any hot surfaces or sharp edges and also must be accessible. If this power cord should become damaged, a replacement power cord must be purchased from the manufacture or a qualified ENVIRO dealer. This unit's maximum power requirement is 520 watts.

GLASS: Do not abuse the glass by striking or slamming the door. Do not attempt to operate the stove with broken glass. The stove uses ceramic glass. Replacement glass must be purchased from an ENVIRO dealer. Do not attempt to open the door and clean the glass while the unit is in operation or if glass is hot. To clean the glass, use a soft cotton cloth and mild window cleaner, gas or wood stove glass cleaner, or take a damp paper towel and dip into the fly ash. This is a very mild abrasive and will not damage the glass.

FLAMMABLE LIQUIDS: Never use gasoline, gasoline-type lantern fuel, kerosene, charcoal lighter fluid, or similar liquids to start or "freshen up" a fire in the heater. Keep all such liquids well away from the heater while it is in use.

SMOKE DETECTOR: Smoke detectors should be installed and maintained in the structure when installing and operating a pellet burning appliance.

OPERATION: The ash pan and door must be closed securely for proper and safe operation of the pellet stove. Also ensure all gaskets on the door are checked and replaced when necessary.

INSTALLATION: Be sure to maintain the structural integrity of your home when passing a vent through walls, ceilings, or roofs. It is recommended that the unit be secured into its position in order to avoid any displacement.

DO NOT INSTALL A FLUE DAMPER IN THE EXHAUST VENTING SYSTEM OF THIS UNIT.

DO NOT CONNECT THIS UNIT TO A CHIMNEY FLUE SERVING ANOTHER APPLIANCE.

FRESH AIR: Outside Fresh Air connection is optional. Must be connected to all units installed in Mobile and "Air Tight Homes" (R2000) or where required by local codes. Consider all large air moving devices when installing your unit and provide room air accordingly. Limited air for combustion may result in poor performance, smoking and other side effects of poor combustion.

If you have any questions with regards to your stove or the above-mentioned information, please feel free to contact your local dealer for further clarification and comments.

SINCE SHERWOOD INDUSTRIES LTD. HAS NO CONTROL OVER THE INSTALLATION OF YOUR STOVE, SHERWOOD INDUSTRIES LTD. GRANTS NO WARRANTY IMPLIED OR STATED FOR THE INSTALLATION OR MAINTENANCE OF YOUR STOVE. THEREFORE, SHERWOOD INDUSTRIES LTD. ASSUMES NO RESPONSIBILITY FOR ANY CONSEQUENTIAL DAMAGE(S).

INTRODUCTION

PELLET QUALITY:

Pellet quality is important, please read the following:

Your enviro pellet stove has been designed to burn wood pellets only. Do not use any other type of fuel, as this will void any warranties stated in this manual.

The performance of your pellet stove is greatly affected by the type and quality of wood pellets being burned. As the heat output of various quality wood pellets differs, so will the performance and heat output of the pellet stove.

CAUTION: It is important to select and use only pellets that are dry and free of dirt or any impurities such as high salt content. Dirty fuel will adversely affect the operation and performance of the unit and will void the warranty. The Pellet Fuel Industries (P.F.I.) has established standards for wood pellet manufacturers. We recommend the use of pellets that meet or exceed these standards. Ask your dealer for a recommended pellet type.

P.F.I. PELLET STANDARDS:

Fines (fine particles).....	1% maximum through a 1/8" screen
Bulk Density.....	40 pound per cubic foot minimum
Size.....	1/4" to 5/16" diameter 1/2 – 1 1/2" long maximum
Ash Content.....	1% maximum (Premium grade)3% maximum (Standard grade)
Moisture Content.....	8% maximum
Heat Content.....	approximately 8200 Btu per pound minimum

ASH: The ash content of the fuel and operation of your stove will directly determine the frequency of cleaning. The use of high ash fuels may result in the stove needing to be cleaned daily. A low ash fuel may allow longer intervals between cleaning.

CLINKERING: [clinkers are silica (sand) or other impurities in the fuel that will form a hard mass during the burning process]. This hard mass will block the air flow through the Burn Pot Liner and affect the performance of the stove. Any fuel, even approved types, may tend to clinker. Check the Burn-Pot Liner daily to ensure that the holes are not blocked with clinkers. If they become blocked, remove the liner (when the unit is cold) and clean/scrape the clinkers out. Clean the holes with a small pointed object if required. Refer to the section Routine Cleaning and Maintenance.

PELLET FEED RATES: Due to different fuel densities and sizes, pellet feed rates may vary. This may require an adjustment to the slider damper setting or to the auger feed trim setting on low.

Since Sherwood Industries Ltd. has no control over the quality of pellets that you use, we assume no liability for your choice in wood pellets.

Store pellets at least 36" (1 m) away from the pellet stove.

SAVE THIS INSTRUCTION MANUAL FOR FUTURE REFERENCE

EMISSIONS AND EFFICIENCIES

EMISSIONS AND EFFICIENCY - MERIDIAN:

Rates: This manual describes the installation and operation of the Enviro Meridian Pellet heater. This heater meets the 2015 U.S. Environmental Protection Agency's pellet emission limits for pellet emission limits sold after May 15, 2015. Under specific test conditions this heater has been shown to deliver heat at rates ranging from 12,000-45,000 Btu/hr.

Efficiency: 78%

WARNING: This pellet heater needs periodic inspection and repair for proper operation. It is against federal regulations to operate this pellet heater in a manner inconsistent with operating instructions in this manual.

WARNING: This pellet heater has a manufacturer set minimum low burn rate that must not be altered. It is against federal regulations to alter this setting or otherwise operate this pellet heater in a manner inconsistent with operating instructions in this manual.

INSTALLATION

DECIDING WHERE TO LOCATE YOUR PELLET APPLIANCE:

1. Check clearances to combustibles (see INSTALLATION - CLEARANCES TO COMBUSTIBLES, and INSTALLATION - ALCOVE CLEARANCES.
2. Do not obtain combustion air from an attic, garage or any unventilated space. Combustion air may be obtained from a ventilated crawlspace.
3. Do not install the stove in a bedroom.
4. You can vent the stove through an exterior wall behind the unit or connect it to an existing masonry or metal chimney (must be lined if the chimney is over 6" (15 cm) diameter, or over 28 inches² (180 cm²) cross sectional area). An interior vent can be used with approved pipe passing through the ceiling and roof.
5. Locate the stove in a large and open room that is centrally located in the house. This will optimize heat circulation.
6. The power cord is 8 feet (2.43 m) long and may require a grounded extension cord to reach the nearest electrical outlet.



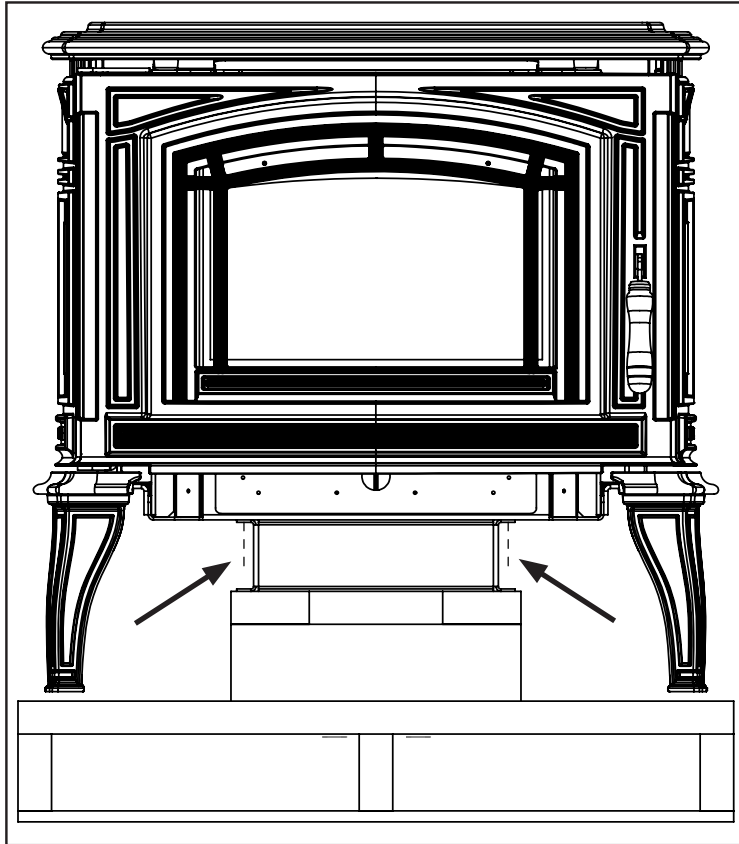
www.nficertified.org

We recommend that our pellet hearth products be installed and serviced by professionals who are certified in the U.S. by the National Fireplace Institute® (NFI) as NFI Pellet Specialists or who are certified in Canada by Wood Energy Technical Training (WETT).



INSTALLATION

REMOVING PELLET STOVE FROM PALLET:



To remove your new stove from its pallet, remove the four (4) screws securing the bottom to the pallet using a 3/8" socket or wrench (see Figure 1.1). Next, remove the two (2) screws securing the rear shipping brace using a T20 screwdriver (see Figure 1.2) The steel shipping brackets are not part of the stove and can be recycled. Once the stove is removed from the pallet the four bottom screws must be re-installed to seal the firebox. Re-install the two rear screws as well.

Figure 1.1: Meridian Cast Iron - Bottom Screws

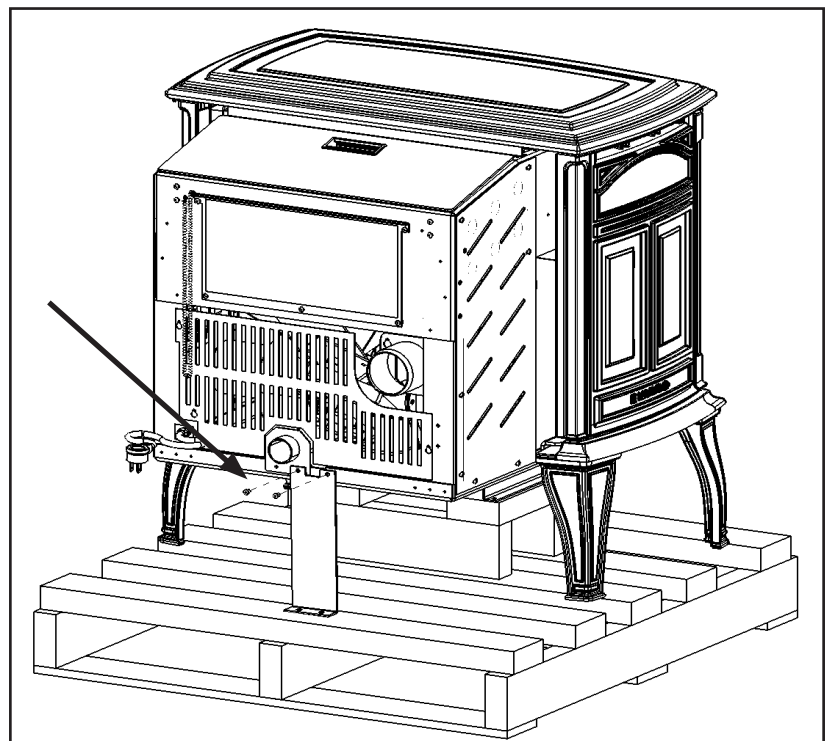


Figure 1.2: Meridian Cast Iron - Rear Screws

INSTALLATION

DIMENSIONS:

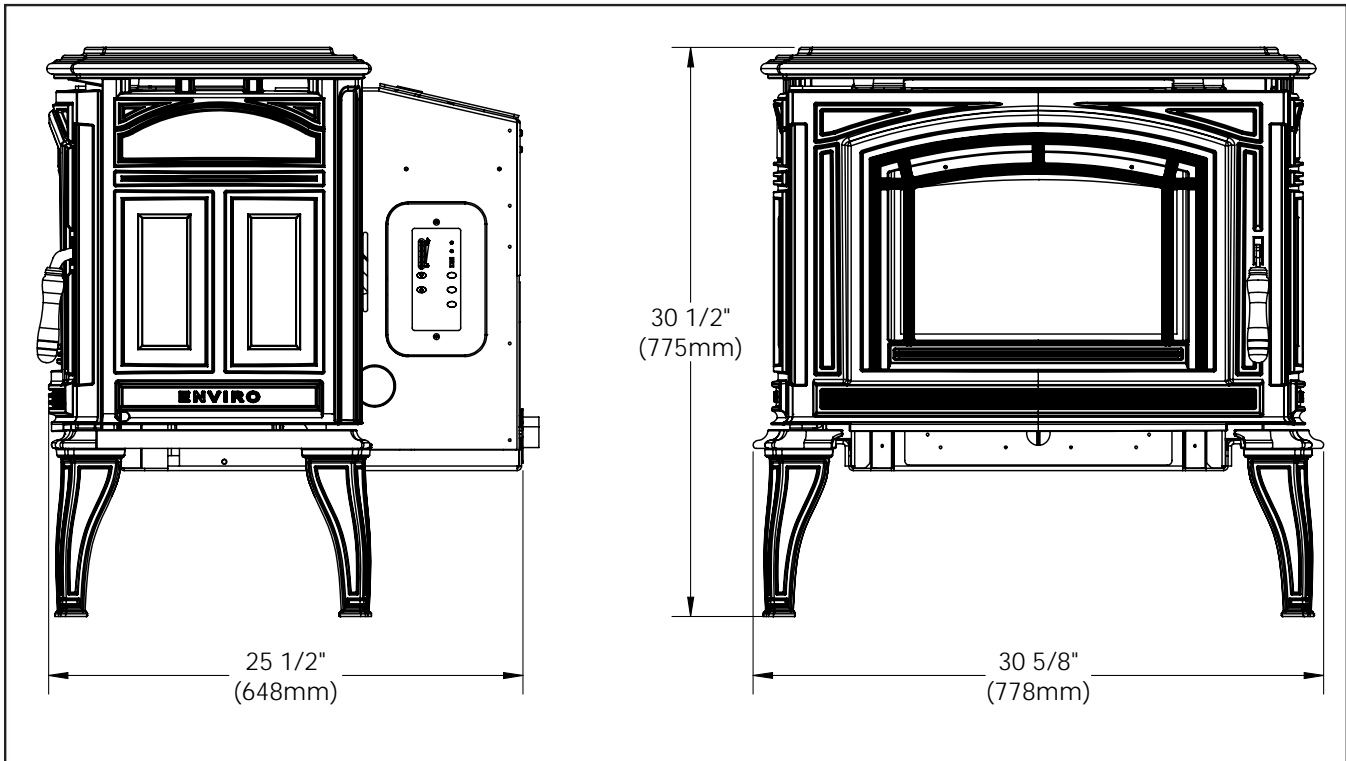


Figure 2: Meridian Cast Iron Dimensions.

CLEARANCES TO COMBUSTIBLES:

These dimensions are minimum clearances but it is recommended that you ensure sufficient room for serving, routine cleaning and maintenance.

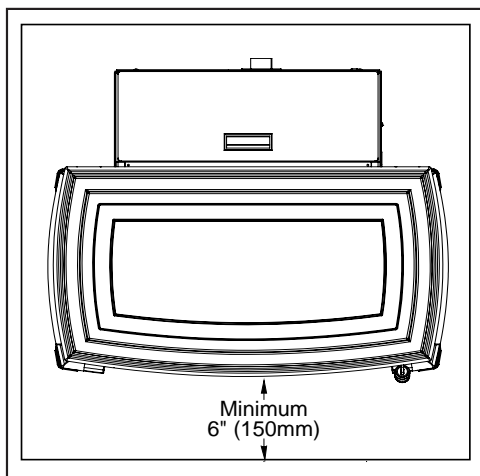


Figure 3: Meridian Cast Iron on Floor Protection.

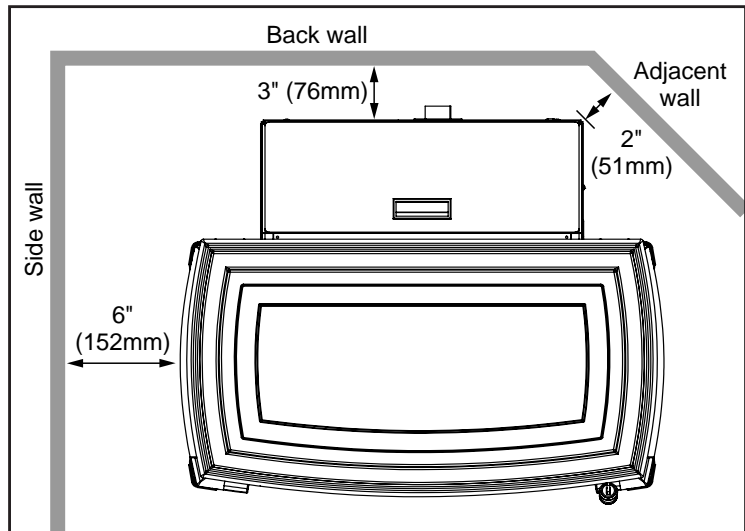


Figure 4: Minimum Clearances to Combustibles for Meridian Cast Iron.

This pellet stove requires floor protection. The floor protection must be non-combustible, extending beneath the stove the full width and depth of the unit including 6" (150 mm) in front for ember protection

INSTALLATION

ALCOVE CLEARANCES:

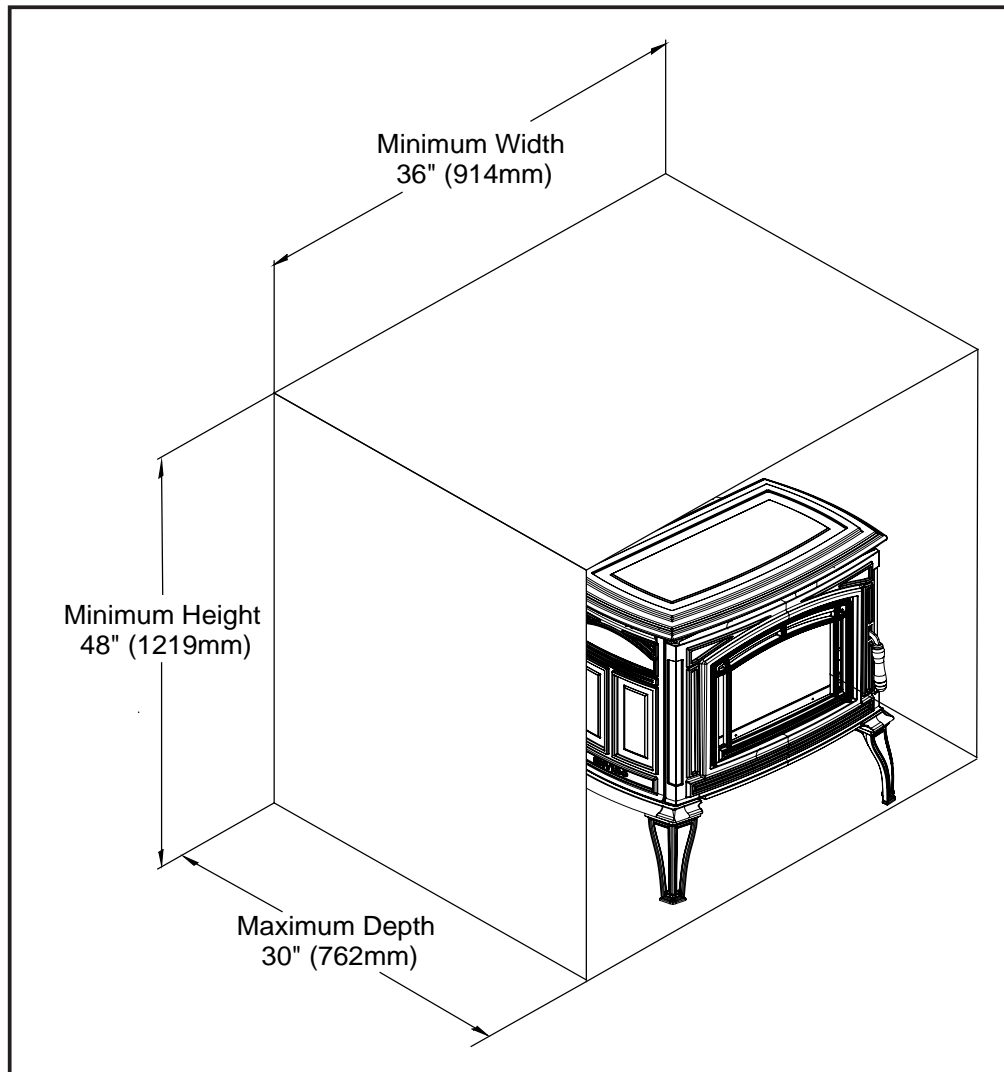


Figure 5: Alcove Clearances Freestanding Meridian.

INSTALLATION

MOBILE HOME INSTALLATION:

- Secure the heater to the floor using the holes in the legs of the appliance.
- Ensure the unit is electrically grounded to the chassis of your home (permanently).

WARNING: Do not install in a room people sleep in.

CAUTION: The structural integrity of the manufactured home floor, wall and ceiling/roof must be maintained

- Outside fresh air is mandatory. Secure outside air connections directly to fresh air intake pipe and secure with three (3) screws evenly spaced.

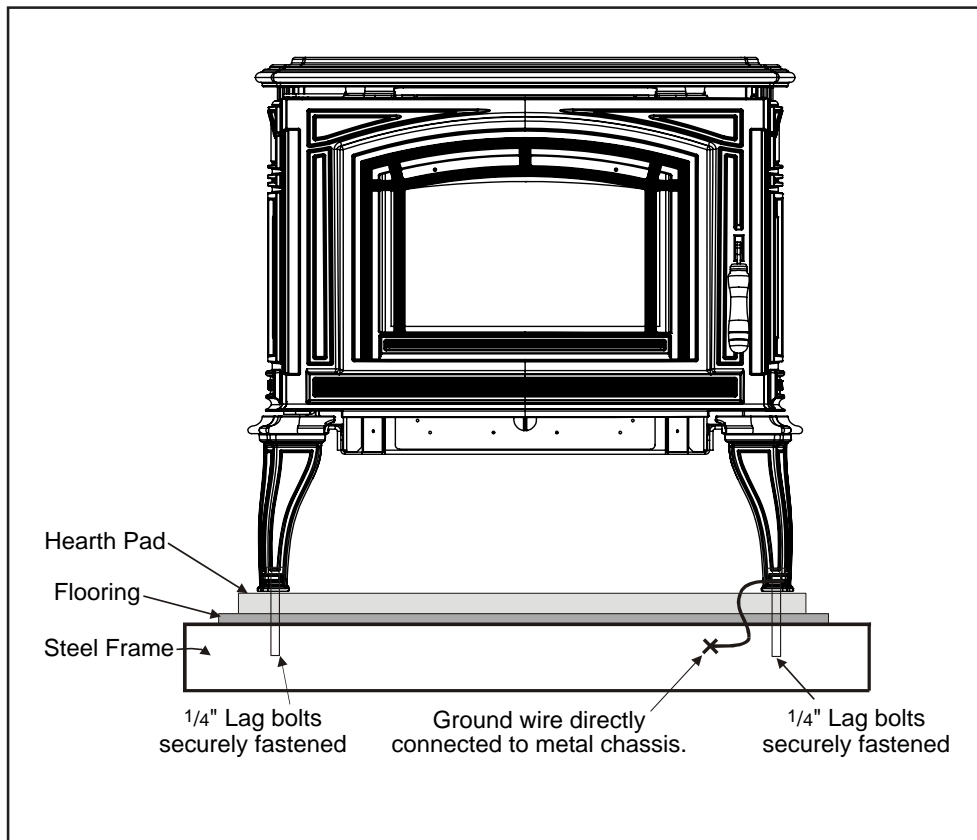


Figure 6: Mobile Home Install Mounting.

INSTALLATION

VENT TERMINATION REQUIREMENTS:

IT IS RECOMMENDED THAT YOUR PELLETT STOVE BE INSTALLED BY AN AUTHORIZED DEALER/INSTALLER.

Table 1: Use in conjunction with Figure 13 for allowable exterior vent termination locations.

Letter	Minimum Clearance	Description
A	24 in (61 cm)	Above grass, top of plants, wood, or any other combustible materials.
B	48 in (122 cm)	From beside/below any door or window that may be opened.
C	24 in (61 cm)	From above any door or window that may be opened.
D	24 in (61 cm)	To any adjacent building, fences and protruding parts of the structure.
E	24 in (61 cm)	Below any eave or roof overhang
F	12 in (30 cm)	To outside corner.
G	12 in (30 cm)	To inside corner, combustible wall (vertical and horizontal terminations).
H	3 ft (91 cm) within a height of 15 ft (4.5 m) above the meter/regulator assembly	To each side of center line extended above natural gas or propane meter/regulator assembly or mechanical vent.
I	3 ft (91 cm)	From any forced air intake of other appliance
J	12 in (30 cm)	Clearance to non-mechanical air supply inlet to building, or the combustion air inlet to any appliance.
K	24 in (61 cm)	Clearance above roof line for vertical terminations.
L	7 ft (2.13 m)	Clearance above paved sidewalk or paved driveway located on public property.

- Do not terminate the vent in any enclosed or semi-enclosed areas such as a carport, garage, attic, crawlspace, narrow walkway, closely fenced area, under a sundeck or porch, or any location that can build up a concentration of fumes such as stairwells, covered breezeway, etc.

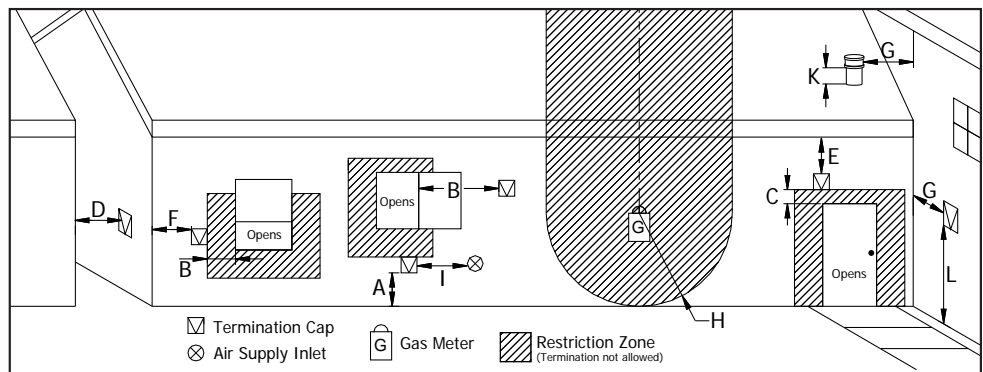


Figure 7: Use in conjunction with Table 1 for allowable exterior vent termination locations.

- Vent surfaces can become hot enough to cause burns if touched by children. Non-combustible shielding or guards may be required.
- Termination must exhaust above the inlet elevation. It is recommended that at least five feet of vertical pipe be installed outside when the appliance is vented directly through a wall, to create some natural draft to prevent the possibility of smoke or odor during appliance shut down or power failure. This will keep exhaust from causing a nuisance or hazard from exposing people or shrubs to high temperatures. In any case, the safest and preferred venting method is to extend the vent through the roof vertically.
- Distance from the bottom of the termination and grade is 12" (30 cm) minimum. This is conditional upon the plants and nature of grade surface. The exhaust gases are hot enough to ignite grass, plants and shrubs located in the vicinity of termination. The grade surface must not be lawn.
- If the unit is incorrectly vented or the air to fuel mixture is out of balance, a slight discoloration of the exterior of the house might occur. Since these factors are beyond the control of Sherwood Industries Ltd, we grant no guarantee against such incidents.

NOTE: Venting terminals shall not be recessed into walls or siding.

INSTALLATION

EXHAUST AND FRESH AIR INTAKE LOCATIONS:

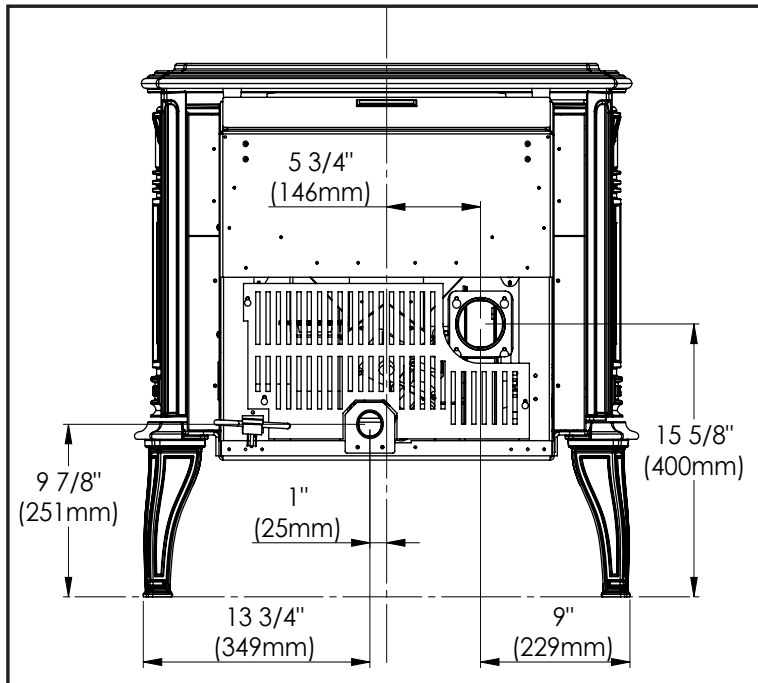


Figure 8: Meridian Cast Iron Inlet and Outlet Location.

EXHAUST

Base of unit to center of flue	15 5/8"	(400 mm)
Side of unit to center of flue	9"	(229 mm)
Center of unit to center of flue	5 3/4"	(146 mm)

FRESH AIR INTAKE.

Base of unit to center of intake	9 7/8"	(251 mm)
Side of unit to center of intake	13 3/4"	(349 mm)
Center of unit to center of flue	1"	(25 mm)

INSTALL VENT AT CLEARANCES SPECIFIED BY THE VENTING MANUFACTURER

OUTSIDE FRESH-AIR CONNECTION:

Outside fresh air is mandatory when installing this unit in airtight homes and mobile homes.

A fresh-air intake is strongly recommended for all installations. Failure to install intake air may result in improper combustion as well as the unit smoking during power failures.

When connecting to an outside fresh air source, do not use plastic or combustible pipe. A 2" minimum (51 mm) ID (inside diameter) steel, aluminum or copper pipe should be used. It is recommended, when you are installing a fresh air system, to keep the number of bends in the pipe to a minimum.

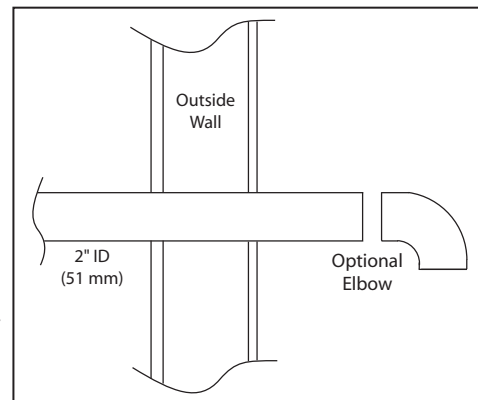


Figure 9: Outside Air Connection.

INSTALLATION

CORNER THROUGH WALL INSTALLATION:

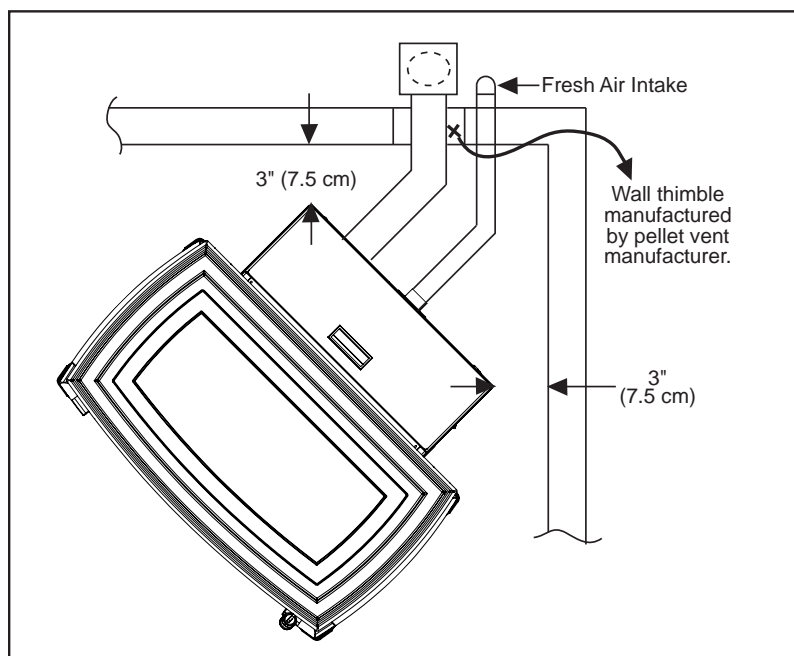


Figure 10: Corner Installation.

HORIZONTAL EXHAUST THROUGH WALL INSTALLATION:

Vent installation: install vent at clearances specified by the vent manufacturer.

A chimney connector shall not pass through an attic or roof space, closet or similar concealed spaces, or a floor, or ceiling. Where passage through a wall or partition of combustible construction is desired, the installation shall conform to CAN/CSA-B365 Installation Code for Solid-Fuel-Burning Appliances and Equipment. Only use venting of L or PL type with an inside diameter of 3 or 4 inches (7.6 or 10.1 cm).

1. Choose a location for your stove that meets the requirements stated in this manual and allows installation with the least amount of interference to house framing, plumbing, wiring, etc.
2. Install a non-combustible hearth pad (where necessary).
3. Place the appliance 15" (37.5 cm) away from the wall. If the stove is to be set on a hearth pad, set the unit on it.
4. Locate the center of the exhaust pipe on the stove. Extend that line to the wall. Once you have located the center point on the wall, refer to pellet vent manufacturer installation instructions for correct hole size and clearance to combustibles.
5. Install the wall thimble as per the instructions written on the thimble. Maintain an effective vapour barrier in accordance with local building codes.
6. Install a length of 3" (76 mm) or 4" (101 mm) vent pipe into the wall thimble. The pipe should install easily into the thimble.
7. Install the fresh air intake (see INSTALLATION - OUTSIDE FRESH AIR CONNECTION).
8. Connect the exhaust vent pipe to the exhaust pipe on the stove. Seal the connection with high temperature silicone.
9. Push the stove straight back, leaving a minimum of 2" (5 cm) clearance from the back of the stove to the wall. Seal the vent pipe to the thimble with high temperature silicone.

INSTALLATION

10. The pipe must extend at least 12" (30 cm) away from the building. If necessary, bring another length of pipe (PL type) to the outside of the home to connect to the first section. Do not forget to place high temperature silicone around the pipe that passes through the thimble.

11. Install a vertical pipe, or if all requirements for direct venting are met, install vent termination. The stainless steel cap termination manufactured by the vent manufacturer is recommended. However, when the vent terminates several feet above ground level and there are no trees, plants, etc. within several feet, a 45° elbow can be used as termination. The elbow must be turned down to prevent rain from entering.

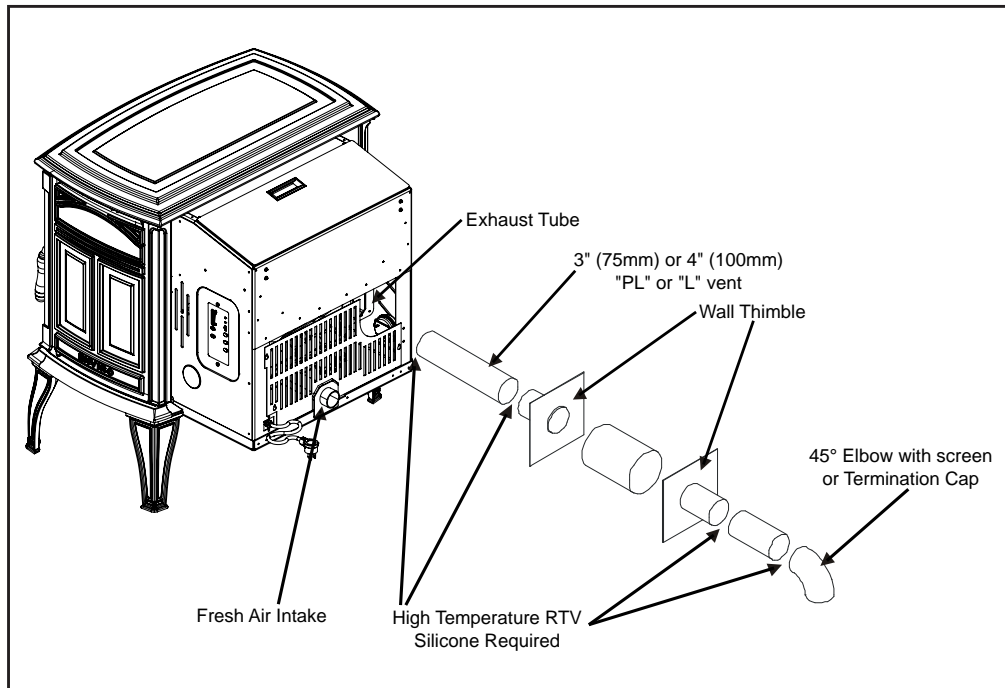


Figure 11: Straight through wall Installation.

NOTE:

- Some horizontal through wall installations may require a "T" and 3 to 5 feet (91 to 152 cm) of vertical pipe outside the building to help naturally draft in the unit.
- This may be required if a proper burn cannot be maintained, after the stove has been tested and the airflow set.
- This is due to the back pressure in the exhaust caused by airflow around the structure.
- All sections of pipe must have three (3) screws evenly spaced and all horizontal and vertical vent sections located within the house must have a bead of high temperature silicone installed on the male end of the pipe before installation to create a gas tight seal.
- The termination must be 12 inches (30 cm) from the outside wall and 12 inches (30 cm) above the ground.
- A 45° elbow with a rodent screen may be used in place of the termination cap (or stainless steel termination hood).

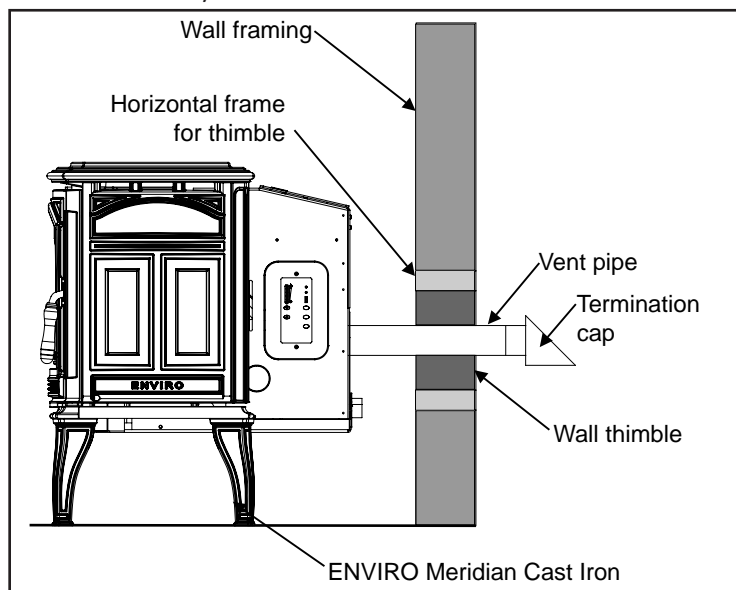


Figure 12: Straight through Wall Installation - Side View.

INSTALLATION

VERTICAL RISE WITH HORIZONTAL TERMINATION INSTALLATION (RECOMMENDED):

A 45° elbow with a rodent screen may be used in place of the termination cap (or stainless steel termination hood).

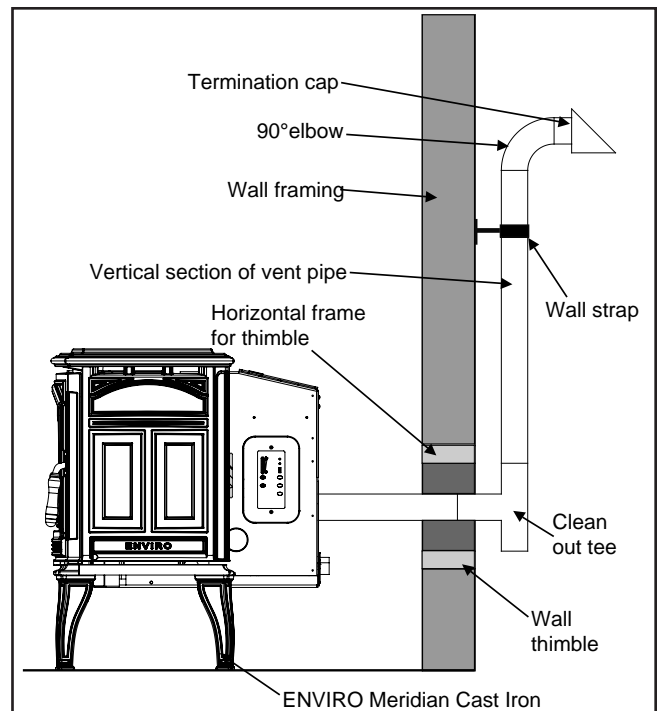


Figure 13: Through Wall with Horizontal Termination.

THROUGH CONCRETE WALL WITH VERTICAL RISE INSTALLATIONS:

A 45° elbow with a rodent screen may be used in place of the termination cap (or stainless steel termination hood).

This is the recommended installation to use if there is a concrete or retaining wall in line with exhaust vent on pellet stove.

The termination must be 12 inches (30 cm) from the outside wall and 12 inches (30 cm) above the ground.

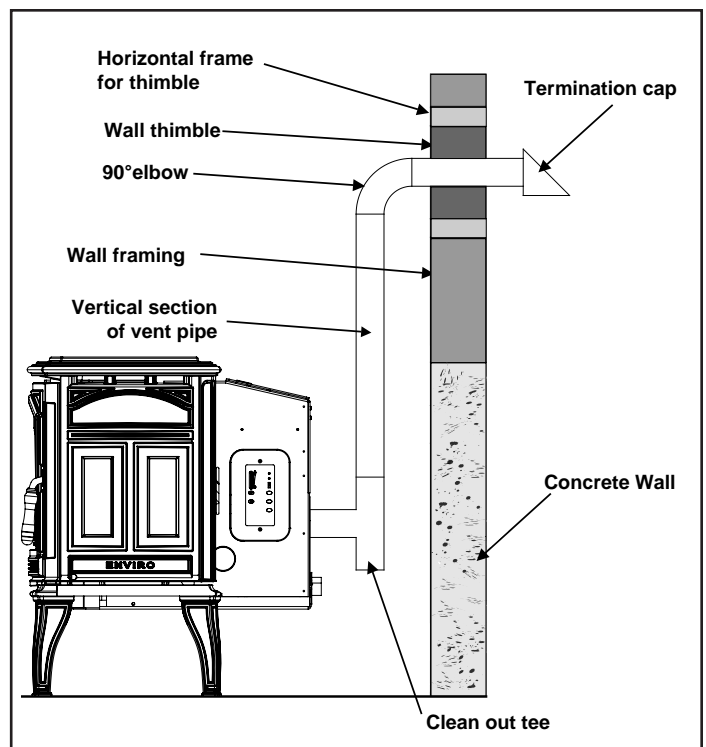


Figure 14: Vertical rise with Horizontal Termination.

INSTALLATION

INSIDE VERTICAL INSTALLATIONS:

1. Choose a stove location that is ideal. See the section "INSTALLATION - DECIDING WHERE TO LOCATE YOUR PELLET APPLIANCE."
2. Place the unit on the hearth pad (if installed on a carpeted surface) and space the unit in a manner so when the pellet vent is installed vertically, it will be 3" (76 mm) away from a combustible wall.
3. Locate the center of the fresh air intake pipe on the unit. Match that center with the same point on the wall and cut a hole about 2" (51 mm) in diameter.
4. Install the fresh air intake pipe.
5. Install the tee with clean out.
6. Install the pellet vent upward from there. When you reach the ceiling, make sure that the vent goes through the ceiling fire stop. Maintain a 3" (76 mm) distance to combustibles and keep attic insulation away from the vent pipe.
7. Finally, extend the pellet vent to go through the roof flashing.
8. Ensure that the rain cap is approximately 24" (610 mm) above the roof.

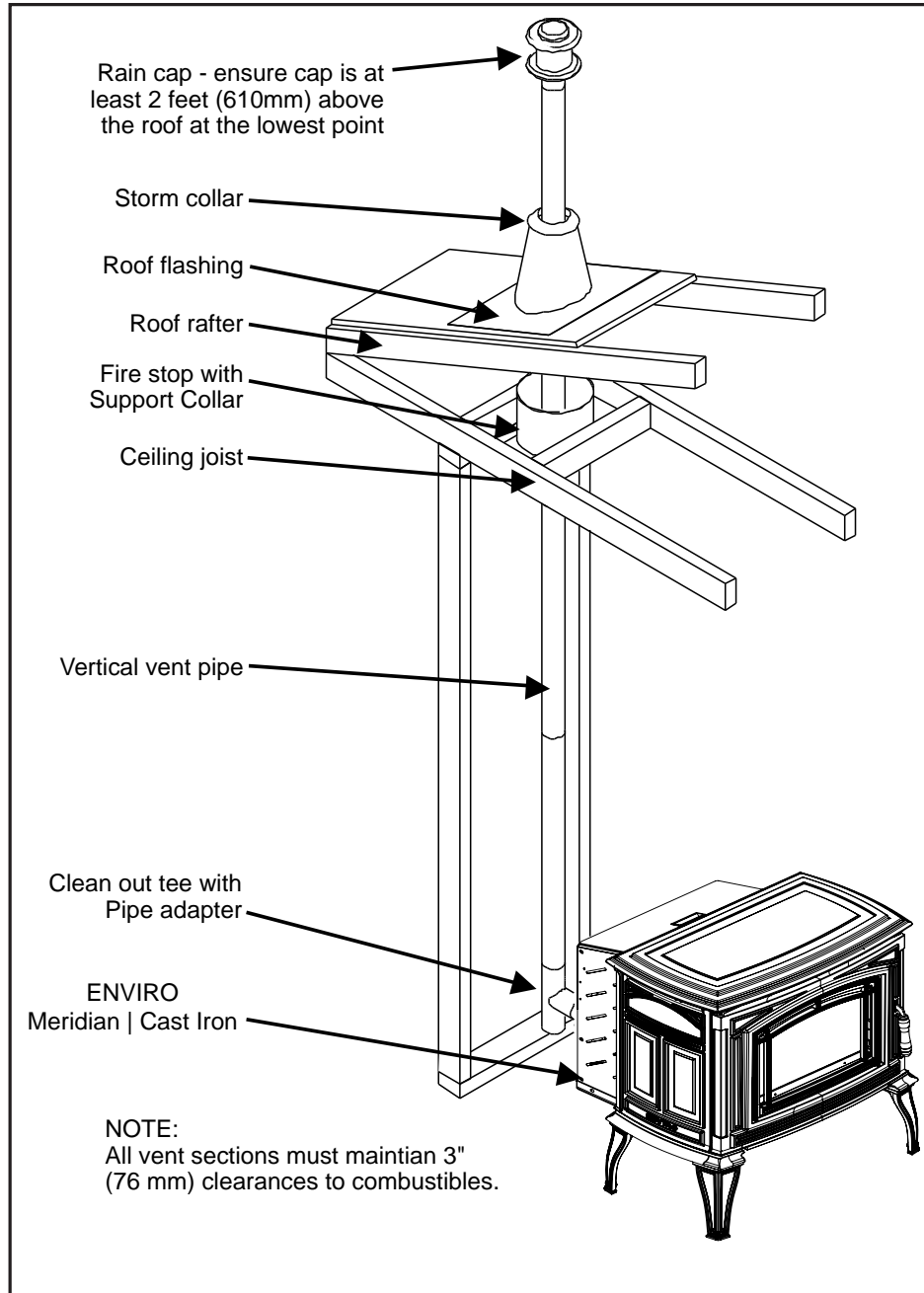


Figure 15: Inside Vertical Installation.

INSTALLATION

OUTSIDE VERTICAL INSTALLATIONS:

To accomplish a outside vertical pipe installation, follow steps 1 through 5 in the "INSIDE VERTICAL INSTALLATIONS" section and then finish it by performing the following (refer to Figure 16).

1. Install a tee with clean out on the outside of the house.
2. Install PL vent upward from the tee. Make sure that you install support brackets to keep the vent straight and secure.
3. Install ceiling thimble and secure the flashing as you go through the roof.
4. Ensure that the rain cap is approximately 24" (610 mm) above the roof.

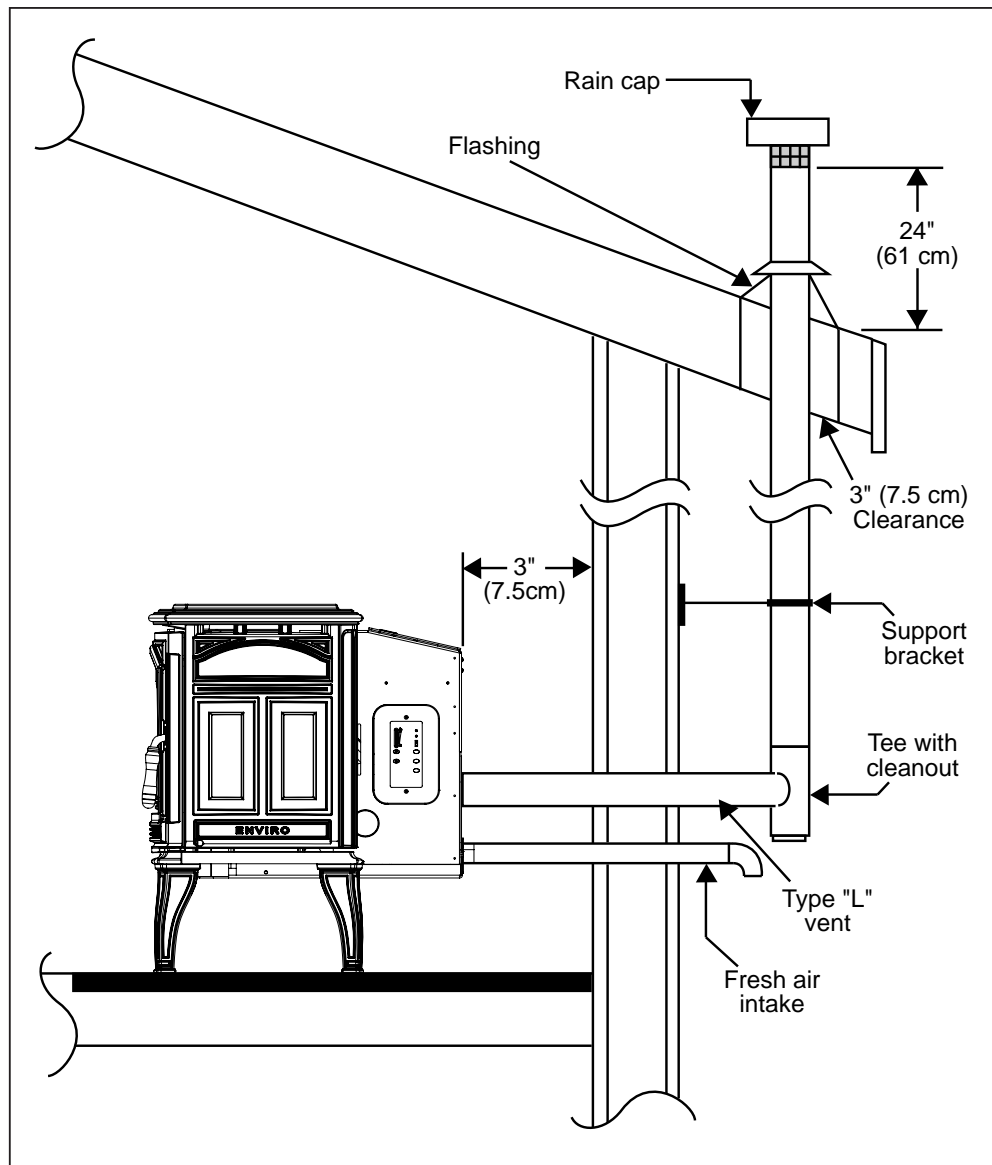


Figure 16: Outside Vertical Installation.

INSTALLATION

HEARTH MOUNT INSTALLATION:

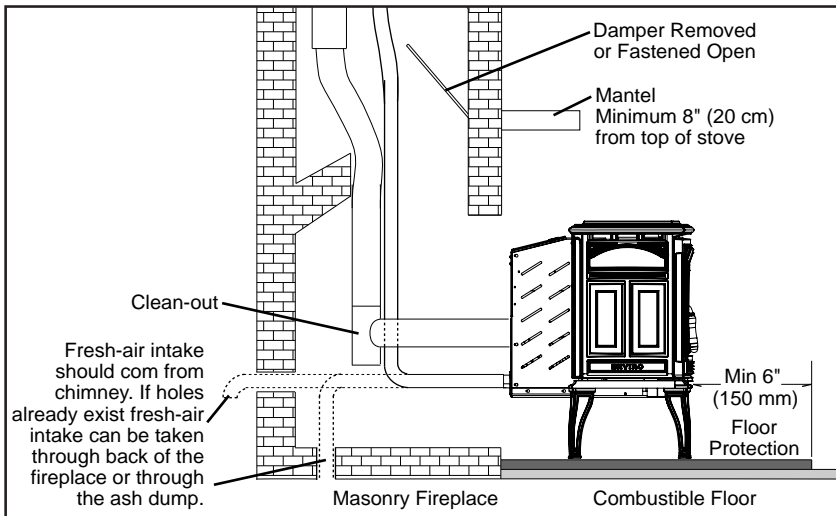


Figure 17: Hearth Mount - Side View.

1. Lock fireplace damper in the open position.
2. Install a positive flue connector at the fireplace dampers.
3. Connect a clean-out tee or a 90° elbow to the exhaust pipe.
4. Install flexible stainless steel liner or listed pellet vent to the top of the chimney.

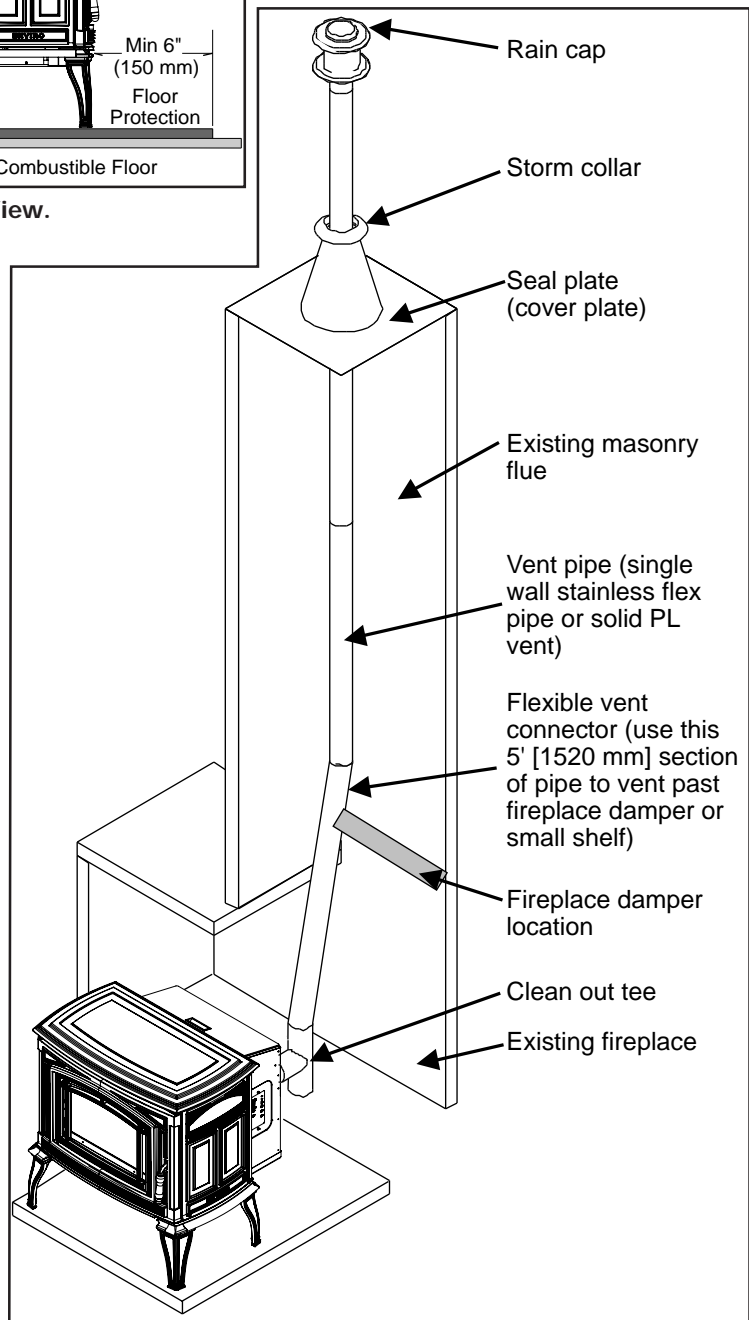


Figure 18: Hearth Mount - Over View.

INSTALLATION

INSTALLATION WITH EXTERIOR MOUNTED EXHAUST BLOWER:

The MERIDIAN can be equipped with an externally mounted exhaust blower (PART #20-070). This optional kit will include all components necessary to install the exhaust blower on any external vertical wall surface.

Choose a location for your stove that meets the requirements stated in this manual and allows installation with the least amount of interference to house framing, plumbing, wiring, etc.

Included in the exterior mounted exhaust blower kit are:

- 1 - Exhaust blower housing box.
- 1 - Blower cover plate.
- 1 - Hardware bag

1. Remove the left side of the unit and the back grill and disconnect the Exhaust Blower wires from the harness. Remove the exhaust blower by undoing the six (6) ¼ hex head sheet metal screws that fasten the blower to the housing.
2. Remove the back grill from the exterior exhaust vent housing and remove the round cover plate installed on the blower housing.
3. Install the round cover plate over the gasketed opening in the stove where the exhaust motor was removed from.
4. Install the exhaust blower motor in the Exterior Vent Housing Box onto the exhaust blower housing.
5. Follow the procedures for **INSTALLATION - HORIZONTAL EXHAUST THROUGH WALL INSTALLATION**. Place the unit in the desired location. Cut the hole in the wall at the desired location. Install a wall thimble.
6. Drill holes in the wall thimble in the corresponding locations for wire and fresh air if needed. Install wire clamps and feed wire through the hole in the thimble into the house. Tighten clamp on wire and attach green ground wire (at the symbol) with the screw and star washer provided.
7. Attach a short or an adjustable section of 3" of double wall pellet vent through the wall thimble to the stove. Seal all joints with silicone. Maintain clearances to combustibles.

8. Apply silicone to the pipe in the Exhaust Box, slide the pipe into the exhaust vent. Mount the Exhaust Box to the house. Reinstall the back grill on the Exterior Vent Housing Box. Apply normal venting practices when installing the vertical vent pipe.
9. Connect the wires in the stove. Re-install the Left side and Back Grill on the stove.
10. Set the Slider Damper as described in the **INSTALLATION - SLIDER/DAMPER SETTING** section.

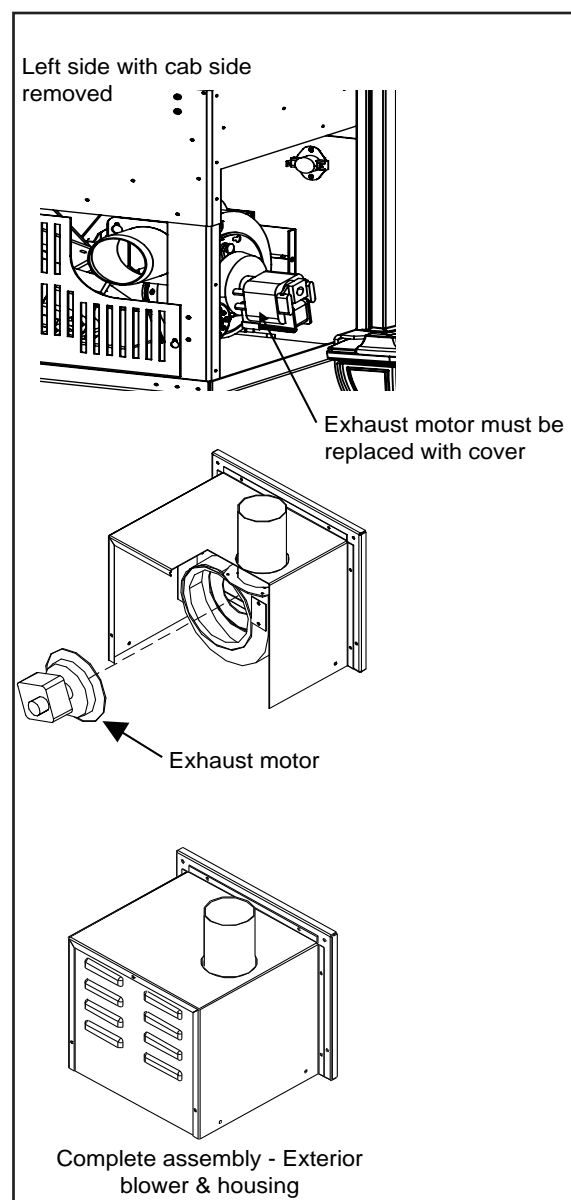


Figure 19: Exterior Exhaust Blower.

INSTALLATION

NOTE:

Ensure that all vent connections are installed by placing three (3) screws evenly spaced and a small bead of high temperature silicone at each chimney connection. Also ensure that all vertical vent sections are properly supported and that all clearances to combustibles are maintained in accordance with the vent manufacturer's specifications.

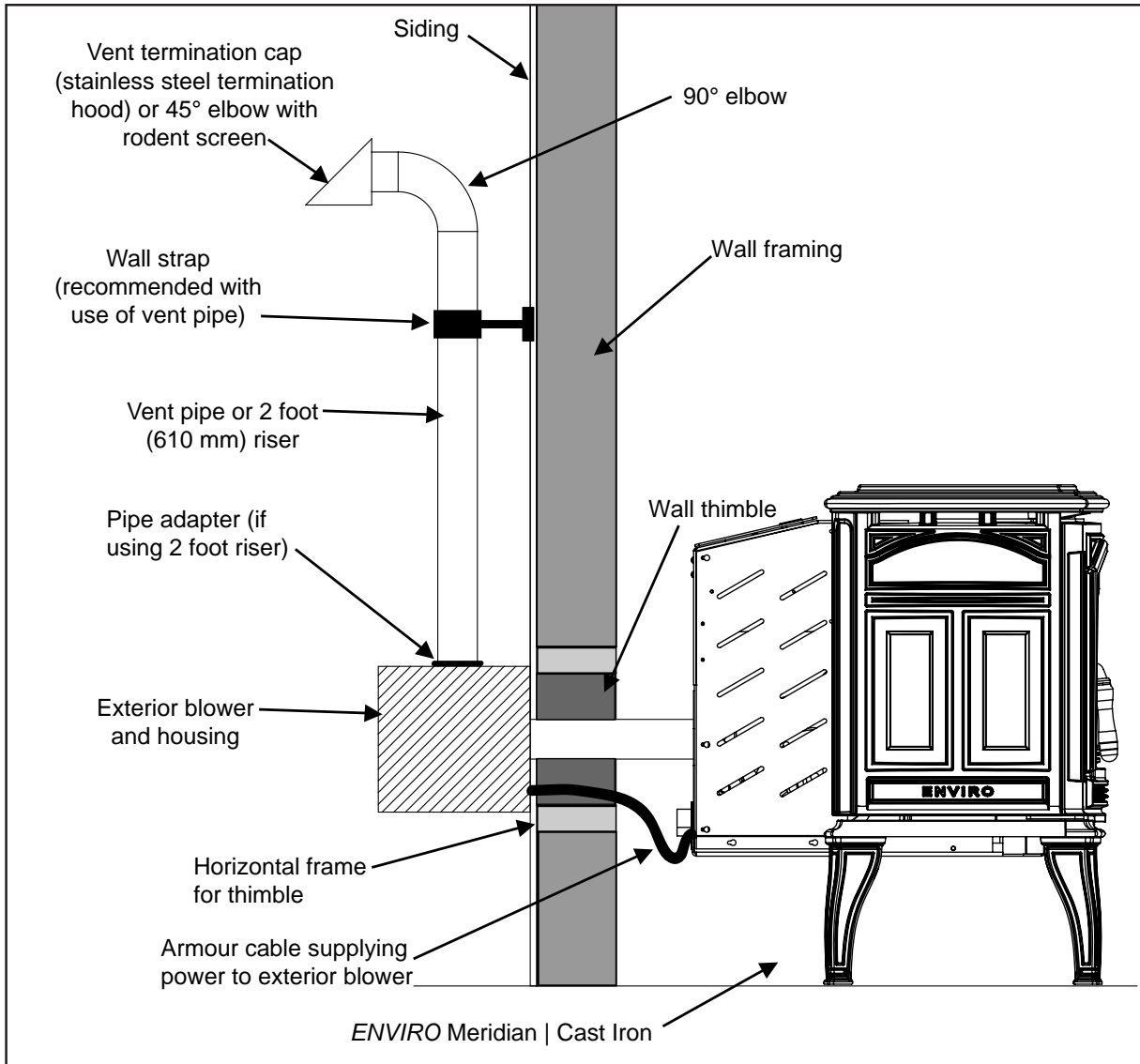


Figure 20: Exhaust Blower Installation; Horizontal Termination.

TO SUPPLY POWER TO THE EXHAUST BLOWER:

Install an amour coated electrical cable from the exhaust blower housing, through the wall thimble, and attach to the pre-drilled hole in the left hand rear hopper pillar. Hook up to wires from the wiring harness for the exhaust blower. All electrical connections must be in accordance with local code requirements (see WIRING DIAGRAM).

INSTALLATION

THROUGH WALL VERTICAL INSTALLATION WITH EXHAUST BLOWER:

Refer to INSTALLATION - INSTALLATION WITH EXTERIOR MOUNTED EXHAUST BLOWER and INSTALLATION - OUTSIDE VERTICAL INSTALLATIONS. Ensure that vent pipe is properly secured to wall using wall straps. Maintain clearances to combustibles on vent pipe as well as unit.

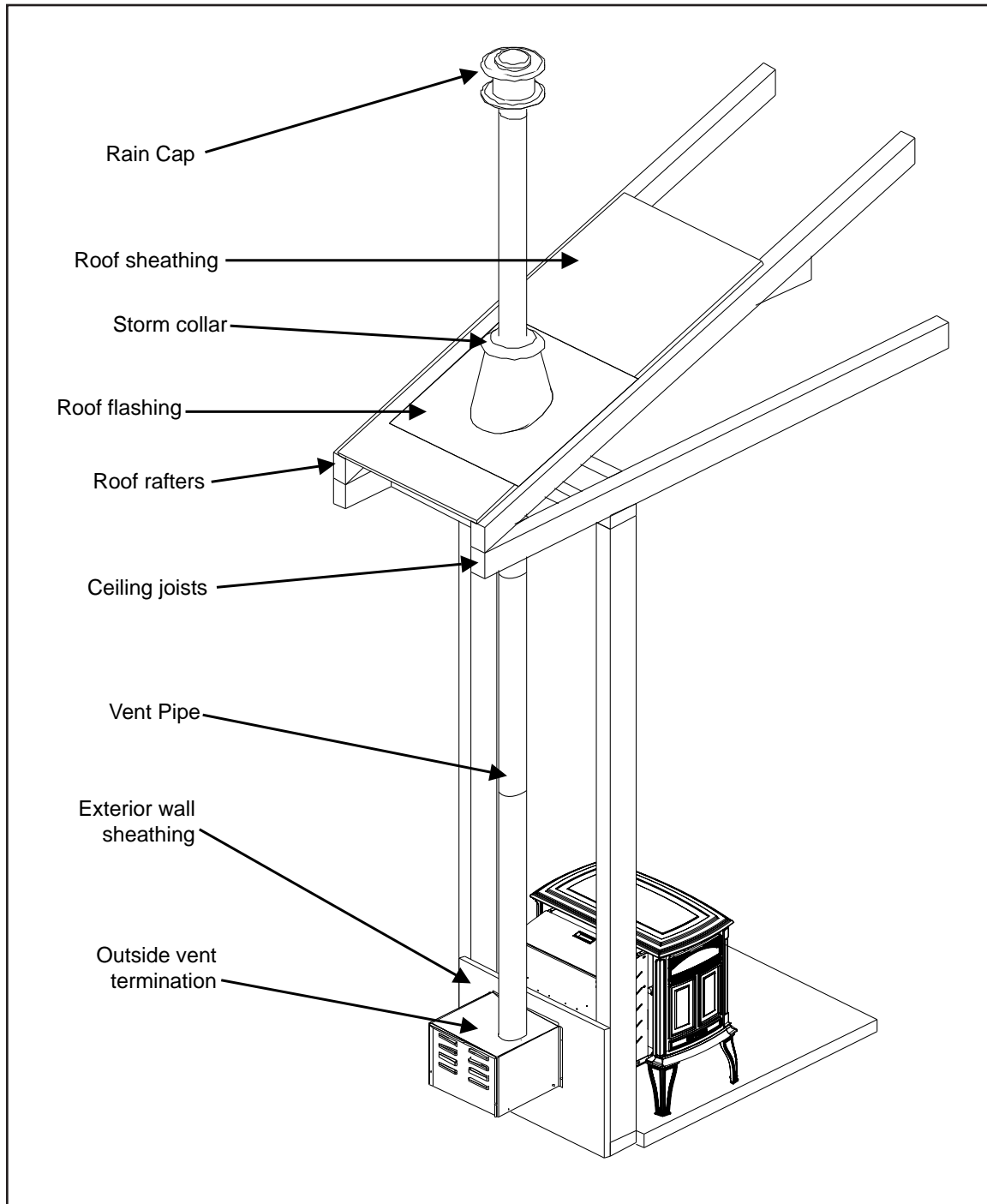


Figure 21: Exhaust Blower Installation; Vertical Termination.

INSTALLATION

THERMOSTAT INSTALLATION:

1. Install the wall thermostat in a location that is not too close to the unit but will effectively heat the desired area.

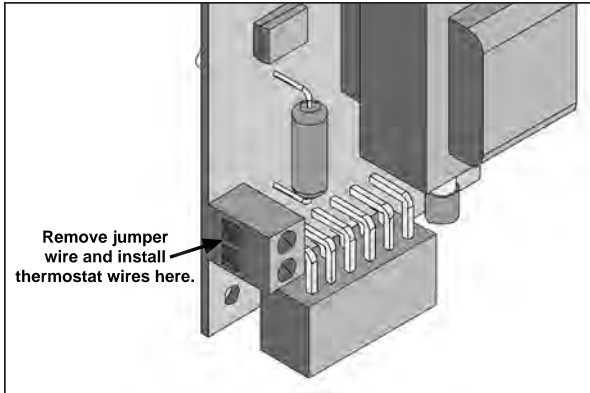


Figure 22: Thermostat wire placement.

2. Install a 12 or 24 Volt Thermostat using an 18 x 2 gauge wire from the unit to the thermostat.

If the unit has been placed in the HI / LOW mode, the unit will be taken to a low or idle setting when the thermostat is not calling for heat. When the thermostat calls for heat, the unit will go to the setting that is displayed on the control board Heat Indicator. If the heating load is not great enough when the stove is on low, the high limit switch will turn the stove off and the switch will have to be manually reset. To reset the high limit switch, remove the right cabinet side. The switch is found behind the control panel. Avoid setting off the high limit switch.

OPERATING INSTRUCTIONS

CONTROL BOARD FUNCTIONS:

1. **AUGER LIGHT:** This green light will flash in conjunction with the auger pulse.
2. **MODE LIGHT:** Responsible for signaling the state of the control board. When the light is flashing the stove is in an automatic start mode or the thermostat has control of the unit. When the light is solid, the Heat Level Setting can be altered.
3. **THERMOSTAT SWITCH:** Used to set the unit's controls to one of three mode settings; manual, high/low, or auto/off.

4. **FEED RATE TRIM BUTTON:** Used to change the feed rate trims in 1/4 second increments for all feed settings. When this button is pressed, all the light will light up on the Heat Output Indicator except for the one that shows the current setting; the default setting is the number 4 light. To adjust the setting hold the Feed Rate Trim button down and press the Heat Level up or down buttons to adjust the setting.

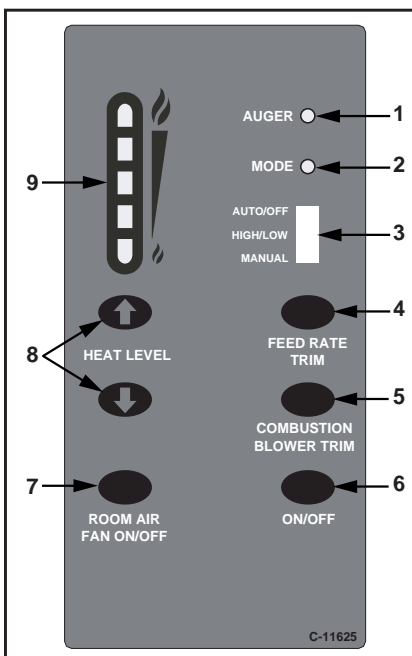


Figure 23: Circuit Board Control Panel Decal.

5. **COMBUSTION BLOWER TRIM BUTTON:** Used to change the Combustion Blower trims in 5 volt increments for all feed settings until it reaches line voltage. When this button is pressed, all the light will light up on the Heat Output Indicator except for the one that shows the current setting; the default setting is the number 2 light. To adjust the setting hold the Combustion Blower Trim button down and press the Heat Level up or down buttons to adjust the setting.
6. **ON/OFF BUTTON:** Used to turn the unit ON and OFF.
7. **ROOM AIR FAN ON/OFF BUTTON:** Used to turn convection fan on or off.
8. **HEAT LEVEL ADJUSTMENT BUTTONS:** When pressed, will change the heat level setting of the unit up or down.
9. **HEAT OUTPUT INDICATOR:** Shows the present heat output setting.

OPERATING INSTRUCTIONS

AUTOMATIC SAFETY FEATURES OF YOUR PELLET STOVE:

- A. The stove will shut off when the fire goes out and the exhaust temperature drops below 120°F (49°C).
- B. The stove has a high temperature safety switch. If the temperature on the hopper reaches 200°F (93°C), the auger will automatically stop and the stove will shut down when the exhaust temperature cools #4 light flashes. Dealer will have to reset the sensor. If this happens, call your local dealer to reset the 200°F (93°C) high limit switch. **ALSO FIND THE REASONS WHY THE UNIT OVERHEATED.**
- C) The unit is equipped with a vacuum switch to monitor the venting; if it becomes blocked the vacuum switch will turn off the auger and the #2 light on the control board will flash.

OPERATING YOUR PELLET STOVE:

PRE-BURN INSTRUCTIONS: The burn pot liner holes must be clear and the liner installed properly against the ignitor tube for proper operation. Check the hopper for enough pellets to start the unit.

DO NOT OPERATE THE UNIT WITH THE DOOR OR ASH PAN OPEN.

Note: The thermostat mode can be changed during normal operation.

MANUAL MODE:

All control of circuit board function is adjusted at the circuit board.

To START: Press the ON / OFF button. The stove will turn on. The system light will flash. The Auger Light will flash with each pulse of the auger (the Auger Feed Rate is pre-programmed during start-up). The Heat Level Indicator will show the Heat Level that the stove will run at after start-up and can be adjusted but the change will not take affect until the start -up has finished.

If this is the first time the unit has been started or the unit has run out of fuel, the auger will need to be primed. This can be done by restarting the unit five (5) minutes into its start-up or by putting a small hand full of pellets into the burnpot.

To OPERATE: When a fire has been established, the System Light will turn solid (after approximately 10 - 15 minutes) and the Auger Light will continue to flash to the corresponding Heat Level setting.

The convection blower (room air blower) will turn on. The speed of this blower is controlled by the setting of the heat level output indicator. The convection blower can be turned OFF by depressing the convection blower control button. For the best efficiency the convection blower should be left on at all times.

HIGH/LOW MODE: (Requires a thermostat)

INITIAL START-UP: See manual mode above.

OPERATION: When the thermostat calls for heat (contacts are closed) the stove settings are adjustable as per Manual Mode. When the thermostat contacts open, the HEAT LEVEL and Fans will drop down to the LOW setting until the thermostat contacts close again. *The LOW heat setting can be adjusted for different fuel qualities (see "OPERATING INSTRUCTIONS - CONTROL BOARD FUNCTIONS"). The stove will come back to the previous HEAT LEVEL setting when the thermostat contacts close again.

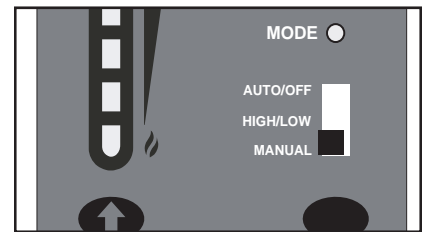


Figure 24: Thermostat Switch in MANUAL position.

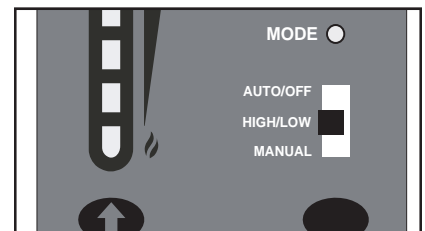


Figure 25: Thermostat Switch in HIGH/LOW position.

OPERATING INSTRUCTIONS

AUTO/OFF MODE: (Requires a thermostat)

INITIAL START-UP: See manual mode above.

OPERATION: When the thermostat contacts close, the unit will light automatically. Once up to temperature, the stove operates the same as in MANUAL. When the thermostat contacts open, the stove's HEAT LEVEL and Fans will drop down to the LOW setting for 30 minutes. If the thermostat contacts close within the 30 minutes, the HEAT LEVEL will return to the previous MANUAL setting. If the thermostat contacts remain open the stove automatically begins its shutdown routine. The ON / OFF button can be pressed at any time the stove will immediately shut down. The stove will re-light when the thermostat contacts close again.

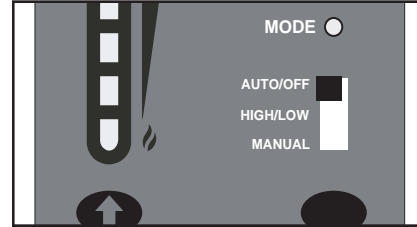


Figure 26: Thermostat Switch in ON/OFF position.

TURNING YOUR PELLET STOVE OFF:

- MANUAL and HI / LOW mode: To turn the unit OFF, simply press the ON / OFF button. This will stop the feed of pellets. The blowers will continue to operate and cool the stove down. When cool enough, the stove will turn off.
- AUTO / OFF mode: To turn the unit OFF, turn the thermostat down or off. NOTE: The unit will run on low for three (3) minutes before it turns off.

**DO NOT unplug unit while Combustion fan is operating.
This may lead to smoke escaping from the stove.**

SLIDER/DAMPER SET-UP:

THE SLIDER / DAMPER MUST BE SET AT TIME OF INSTALLATION, IT IS USED TO REGULATE THE AIRFLOW THROUGH THE PELLET STOVE.

A Qualified Service Technician or Installer must set the Slider Damper.

The slider damper is used to regulate the airflow through the pellet stove. The slider damper is located on the left rear side of the unit, behind the rear side panel (see Figure 27). To access the damper, use a T20 screwdriver to loosen the seven retaining screws on the left rear side panel and then remove the panel.

The combustion exhaust blower is a variable speed blower controlled by the heat output button. This blower will decrease the vacuum pressure inside the stove and as the heat output button is turned down. The vacuum pressure inside the firebox will increase as the combustion exhaust blower increases in speed (higher heat output setting).

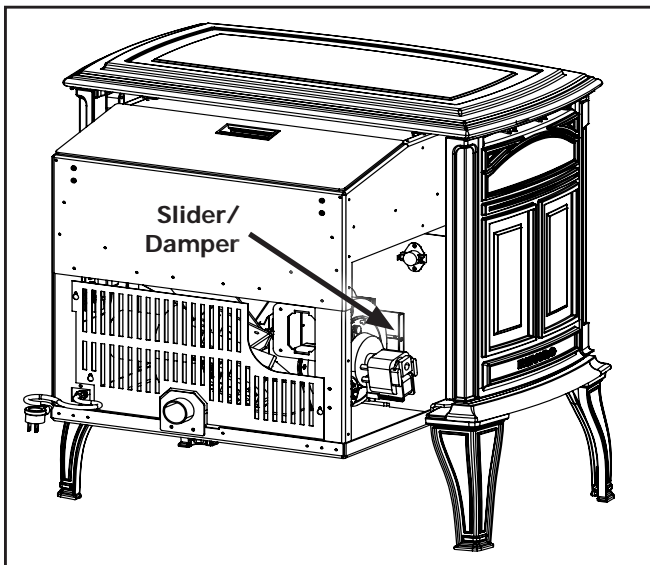


Figure 27: Slider / Damper (side panel removed)

If the fire should happen to go out and the heat output indicator has been set on the lowest setting, the Slider Damper should be pushed in slightly, decreasing the air in the firebox.

If, after long periods of burning, the fire builds up and overflows the burn pot or there is a build up of clinkers, this would be a sign that the pellet quality is poor, this requires more primary air, the slider damper must be pulled out to compensate. Pulling the slider damper out gives the fire more air.

The easiest way to make sure that an efficient flame is achieved is to understand the characteristics of the fire.

OPERATING INSTRUCTIONS

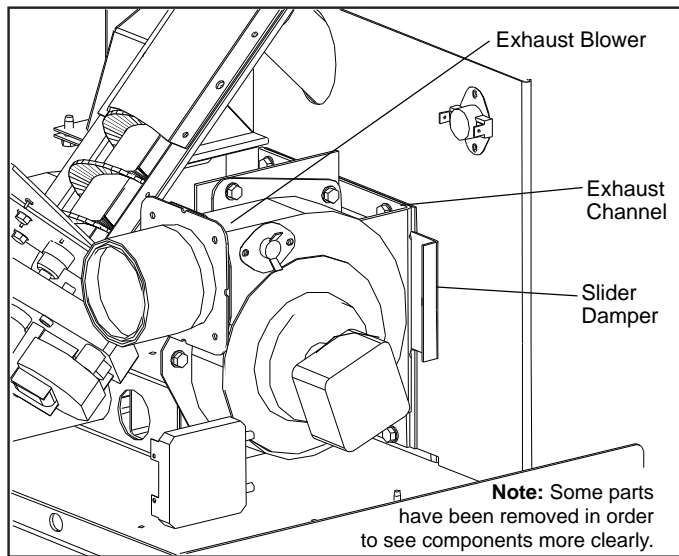


Figure 28: Slider / Damper

- A tall, lazy flame with dark orange tips requires more air – Open slider (pull out) slightly.
- A short, brisk flame, like a blowtorch, has too much air – Close slider (push in) slightly.
- If the flame is in the middle of these two characteristics with a bright yellow/orange, active flame with no black tips then the air is set for proper operation.



Figure 29: Efficient Flame.
(optional log set shown)

SPECIAL NOTES:

Pellet quality is a major factor in how the Pellet stove will operate. If the pellets have a high moisture content or ash content the fire will be less efficient and has a higher possibility of the fire building up and creating clinkers (hard ash build-up).

Taking a reading of vacuum pressure inside the firebox with a magnehelic gauge can be used to set the slider for best combustion. The slider damper should be set only on a hot stove (operating for thirty (30) minutes or more) by placing a Magnahelic Pressure Gauge in the firebox. The reading can be taken from the $\frac{1}{8}$ " (3 mm) hole located in the front of the firebox under the door (see Figure 42). **The best settings are a reading of approximately 0.10 inches of water column on the high fire setting. Some fuels may require higher or lower settings.**

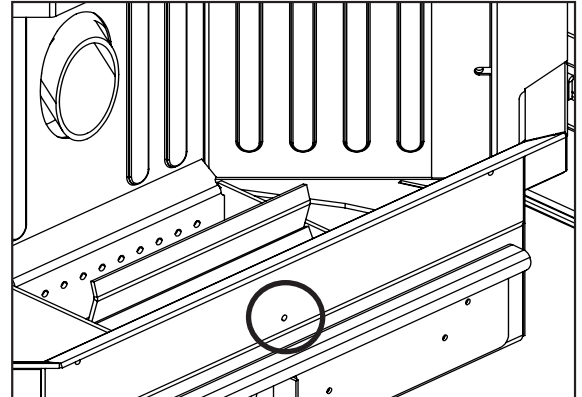


Figure 30: Hole for Pressure test with
Magnehelic Gauge.

GUIDELINES FOR FINE-TUNING FOR FUEL QUALITY:

Due to fuel quality the slider damper and control board trims may need to be fine-tuned.

1. If the unit builds up on all settings, the slider damper rod should be pulled out in small increments to give the unit more air.
2. If the unit has excesses ash build-up in the liner on the lower feed settings, the Combustion Blower Trim should be increased one setting at a time until the problem improves (Factory Setting is #2).
3. If the fire is going out on low because the airflow is too great, the Combustion Blower Trim can be lowered to the #1 setting.
4. If the stove has excesses ash build-up in the liner on the higher settings the Feed Rate Trim should be trimmed down a setting at a time until the problem improves (Factory setting is #4).
5. If you need more heat and the fuel has long pellets, the majority are over 1" (2.5cm) in length, the Feed Rate Trim can be moved up to the #5 setting. NOTE: Only do this if the fuel burns without building up.

ROUTINE CLEANING AND MAINTENANCE

The following list of components should be inspected and maintained routinely to ensure that the appliance is operating at its optimum and giving you excellent heat value:

<u>2-3 Days / Weekly</u>	<u>Semi-annually or 2 Tons of Fuel</u>
Burn Pot and Liner	Exhaust Vent
Ash Pan	Fresh air Intake Tube
Inside Firebox	Blower Mechanisms
Door Glass	Heat exchanger tubes
Heat exchanger tubes	Behind firebox liners
Ash pan and Door gaskets	All Hinges
Door Latch	Post Season Clean-up

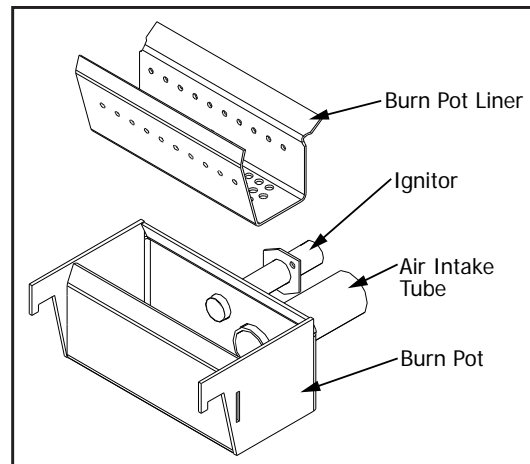


Figure 31: Burn pot assembly.

TOOLS REQUIRED TO CLEAN UNIT

- Torx T-20 Screwdriver
- Brush
- Soft Cloth
- 5/16" Wrench or Socket
- Vacuum with fine filter bag

BURN POT AND LINER (2-3 days)

Cleaning of the burn pot and liner must only be done when stove is cold. To remove the burn pot and burn pot liner, open the door using the door handle provided (located on the right-hand side of the stove). Swing the door open. Lift the liner from the burn pot. Lift the burn pot from the firebox by gently lifting up the front of the burn pot, then sliding the assembly from the air intake tube and the ignitor cartridge.

This is the 'pot' where the pellets are burned. Every two (2) to three (3) days (when the unit is cold), remove the burn-pot liner from the stove and inspected it to ensure proper air flow through the liner.

Failure to keep the liner clean may cause a build up of fuel past the burn pot liner and up the drop tube. This will cause the auger to jam and may result in pellets burning in the drop tube and hopper. Using a metal scrapper, remove material that has accumulated or is clogging the liner's holes. Then dispose of the scrapped ashes from the liner and from inside the burn-pot. Place the burn-pot back into the stove, making sure that the pipes are properly inserted into the burn pot. Place the liner back into the burn-pot, making sure that the ignitor hole in the liner is aligned with the ignitor tube. Pushing the liner up against the ignitor tube.

If, after long periods of burning, the fire continually builds up and overflows the burn pot or there is a build up of clinkers, this is an indication that the pellet fuel quality is poor or the stove may need cleaning. Check the stove for ash build up (clean if required) and adjust the slider / damper to produce the proper clean combustion.

DOOR GLASS CLEANING (2-3 days)

Cleaning of the glass must only be done when stove is cold. Open the door by lifting the handle. The glass can be cleaned by wiping down the outside and inside of the glass with a dry soft cloth.

If the glass has build up that can not be removed with only the cloth, clean the glass using paper towel and a gas appliance glass cleaner, this may be purchased through most dealers. If a gas appliance glass cleaner is not available, use a damp paper towel dipped in fly ash to clean the glass. After the glass has been cleaned use the dry soft cloth to wiping down the outside and inside of the glass

FIREBOX DOOR LATCH (2-3 days)

Check the door latch every time the firebox door is opened or closed to ensure proper movement.

ROUTINE CLEANING AND MAINTENANCE

ASH PAN AND DOOR GASKETS (weekly)

After extended use the gasketing may come loose. To repair this, glue the gasketing on using high-temperature fiberglass gasket glue available from your local ENVIRO dealer. This is important to maintain an airtight assembly.

ASH PAN (weekly)

The ash pan is located under the burner. Dump the ashes into a metal container stored away from combustibles. Monitor the ash level every week. Remember that different pellet fuels will have different ash contents. Ash content is a good indication of fuel efficiency and quality. Refer to "INTRODUCTION - SAFETY WARNINGS AND RECOMMENDATIONS" for disposal of ashes. To remove the ash pan, simply turn the knob and pull out towards the front.

DO NOT PLACE UNBURNED OR RAW PELLET FUEL IN ASH PAN.

HEAT EXCHANGER TUBES (weekly)

Open the cast door and the rod is located under the unit top, in the center of the stove just above the firebox door (see Figure 32). This handle is to be pushed in and out a few times (**ONLY WHEN THE UNIT IS COLD**) in order to clean away any fly ash that may have collected on the heat exchanger tubes. As different types of pellets produce different amounts of ash, cleaning of the tubes should be done on a regular basis to enable the unit to run efficiently.

FRESH AIR INTAKE (season)

Inspect periodically to be sure that it is not clogged with any foreign materials.

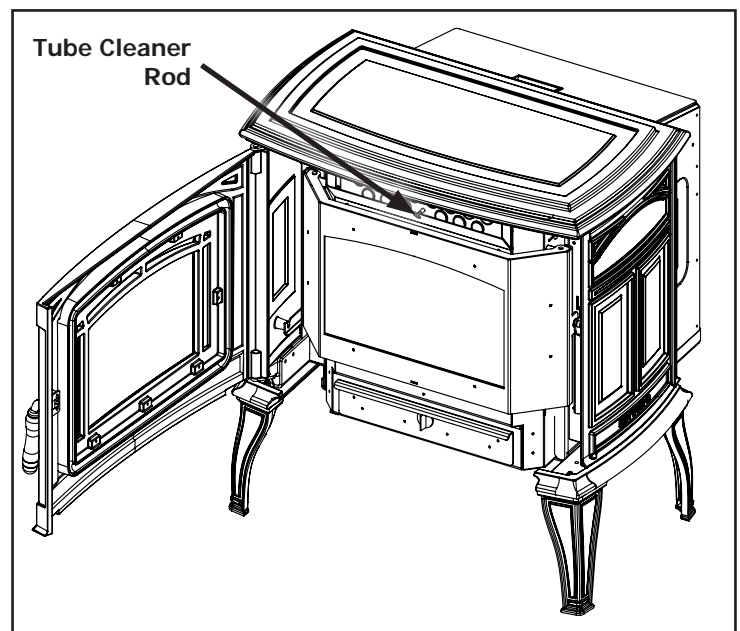


Figure 32: Heat Exchanger Tube Cleaner.

EXHAUST VENT (season)

This vent should be cleaned every year or after two (2) tons of pellets. We recommend contacting your dealer for professional cleaning. To clean the vent pipe, tap lightly on the pipe to dislodge any loose ash. Open the bottom of the "T" to dump the ash, then vacuum as much of the ash out of the vent pipe as possible.

BLOWER MECHANISMS (season)

Unplug the stove then open the right and left side panels to access the two blowers. Vacuum all dust from motors. DO NOT lubricate the motors. Check gaskets and replace if needed.

ALL HINGES (season)

Check all the hinges on the unit to ensure proper movement.

ROUTINE CLEANING AND MAINTENANCE

EXHAUST PASSAGES (season)

Removal of the firebox backing for bi-annual cleaning (refer to Figure 33):

- Open the front cast door
- Open the firebox door by lifting the handle, remove the burn pot and burn pot liner.
- Lubricate all screws with penetrating oil.
- Remove the four (4) screws that hold the steel liner retainers in place. Remove side steel liners by sliding them forward then out.
- Pull the center panel out.
- Vacuum and clean thoroughly.

Installation of firebox backing:

- Insert center panel with backing.
- Place the two (2) side panels back into the firebox and reinstall the two (2) retainers using two (2) screws on each side.
- Replace the burn pot and burn pot liner
- Close the firebox door and secure. Then close the cast door.

POST SEASON CLEAN-UP

Once you are finished using the pellet appliance for the season, unplug the stove for added electrical protection. It is very important that the stove be cleaned and serviced as stated above.

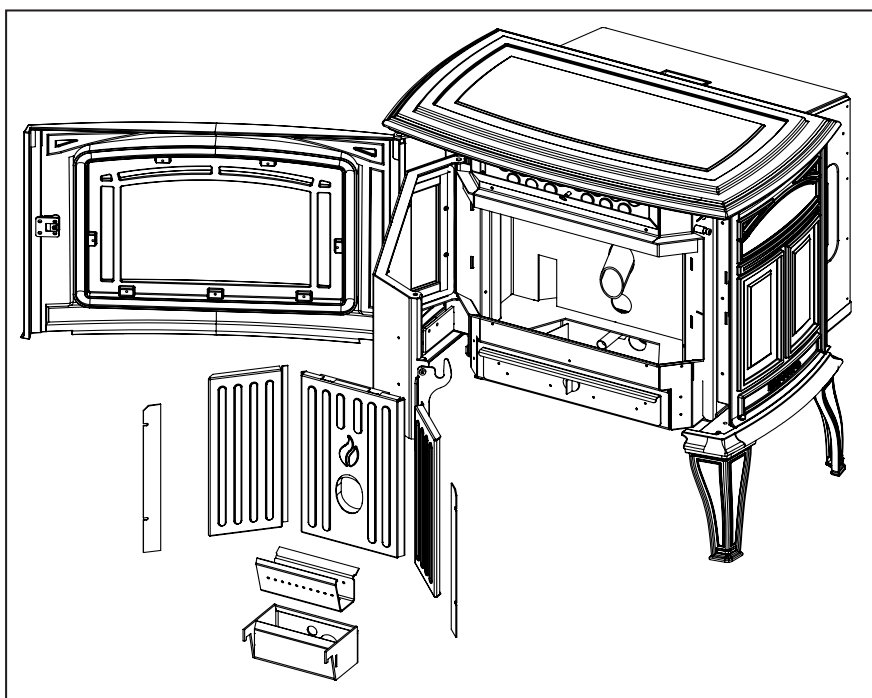


Figure 33: Firebox Components Removal.

CLEANING PAINTED SURFACES

Painted surfaces should be wiped with a damp cloth periodically. Never clean surfaces when they are hot. Do not use other cleaners or abrasives as they may leave a residue or scratches, which can become permanently etched into the surface.

FIREBOX PANEL

The paint on the steel firebox panels may peel. This is due to extreme conditions applied to the paint and is in no way covered by warranty.

REPLACING DOOR GLASS

It is recommended that your ENVIRO dealer replace the glass if broken.

The door glass is made of high temperature PYRO CERAMIC 5 mm thick. The center panel is 15.4" x 9.0" (39.0 cm x 22.9 cm) and side panels are 2.6 x 9.0 inches (6.7 cm x 22.9 cm). They must be replaced with (Part # EF-062). Substitute materials will not be permitted.

TROUBLESHOOTING

DO NOT:

- Service the stove with wet hands. The stove is an electrical appliance, which may pose a shock hazard if handled improperly. Only qualified technicians should deal with possible internal electrical failures.
- Do not remove from the firebox any screws without penetrating oil lubrication.

WHAT TO DO IF:

1. The stove will not start.
2. The stove will not operate when hot.
3. The exhaust blower will not function normally.
4. Light # 2 on Heat output bar flashing.
5. Auger light flashes but auger motor does not turn at all
6. The 200 °F (93 °C) high limit temperature sensor has tripped.
7. The convection blower will not function normally.
8. Ignitor- the pellets will not light.
9. Control settings (Heat Level) has no effect on the fire.
10. The stove keeps going out.

***NOTE: All troubleshooting procedures should be carried out by qualified technicians or installers.**

1. The stove will not start.

- ✓Make sure the stove is plugged in and the wall outlet is supplying power.
- ✓If the Control Board has been placed in the ON /OFF thermostat mode, then turn the thermostat up to call for heat.
- ✓Ensure the burn pot liner is correctly placed in the burn pot
- ✓Check the Heat Level Indicator. - If the # 2 light is flashing (see the # 2 light is flashing)
- ✓Check the fuse on the circuit board.
- ✓If the unit still does not start, contact your local service dealer for service.

2. The stove will not operate when hot.

- ✓Check the Heat Level Indicator if a fire is not detected, or if the fire has gone out **the #3 light will flash** because the Exhaust Temperature Sensor's contacts have opened.
- ✓Check the hopper for fuel.
- ✓Incorrect air damper setting. - Excessive air may consume the fire too quickly before the next drop of fuel, leaving completely unburned fuel in the burn pot liner. - Insufficient air will cause build up, further restricting the air flow through the Burn Pot Liner. This in turn will cause the fuel to burn cold and very slowly. Fuel may build up and smother the fire. In this case clean the burn pot. **(NOTE: unit may require a change to the vent system or installation of fresh air to correct Air to Fuel ratio problems).**
- ✓Combustion Blower failure. - The Combustion Blower is not turning fast enough to generate the proper vacuum in the fire box. Visual Check – is the blower motor turning.
- ✓Check the Exhaust Blower voltage across the blower wires (≥ 114 V on #5 setting and ≥ 82 on #1 setting). – Replace the Circuit Board if the Voltage reading is less than 82 V. with a line voltage >115 V AC.

TROUBLESHOOTING

- ✓ Check Vacuum levels in the exhaust channel by bypassing the Vacuum Switch, then remove the Vacuum hose from Vacuum Switch. Check exhaust vacuum readings by placing the open end of the Vacuum Hose on a Magnahelic Gauge (readings must be above .10" W.C. on low fire).

If the motor fails to reach a 0.10" W.C. readings, then replace the Combustion Blower.

- ✓ Poor Quality Fuel – Insufficient energy in the fuel to produce enough heat to keep the stove burning or operational.
- ✓ Exhaust Temperature Sensor failure. – Bypass sensor located on Exhaust Blower if stove now operates properly, the unit may require cleaning or a new sensor. Contact your local dealer for service.
- ✓ Check the fuse on the circuit board.

3. The exhaust motor will not function normally.

- ✓ Open the left side access panel; check all connections against the wiring diagram.
- ✓ See "2. The stove will not operate when hot." section.

4. Light # 2 on Heat output bar flashing

(The Vacuum Switch contacts have opened for more than 15 sec.)

- ✓ Pinch, break or blockage in Vacuum Hose - Check hose for pinch points or damage, replace or re-route as required. Blow out Vacuum Hose
- ✓ Blocked Hose Barb on Exhaust Channel - Use a paper clip to clean out Hose Barb or remove the Vacuum Hose from the Vacuum Switch and blow into the hose to remove blockage.
- ✓ Blocked exhaust / venting system - Have stove and venting cleaned and inspected.
- ✓ Severe negative pressure in area where unit is installed - Check the operation by opening a window, does this solve the problem? If it does, install fresh air intake to unit or room. Venting system may require vertical section to move termination into a low pressure zone.
- ✓ Vacuum Switch failure - Bypass the vacuum switch, if this corrects the problem check for above problems before replacing the Vacuum Switch.
- ✓ Damage to gray wires between Circuit Board and Vacuum Switch - Inspect wires and connectors
- ✓ Combustion Blower failure - The Combustion Blower is not turning fast enough to generate the proper vacuum in the Exhaust Channel. Visual Check; is the blower motor turning? Check the Exhaust Blower voltage across the blower wires (≥ 114 V on #5 setting and ≥ 82 V on #1 setting). – Replace the Circuit Board if the Voltage reading is less than 82 V. with a line voltage > 114 V AC.
- ✓ Check Vacuum levels in the exhaust channel by bypassing the vacuum switch, then remove the Vacuum hose from Vacuum Switch. Check exhaust vacuum readings by placing the open end of the Vacuum Hose on a Magnahelic Gauge. (readings must be above .10" W.C. on low fire).

If the motor fails to reach a 0.10" W.C. readings, then replace the Combustion Blower

To reset Circuit Board after a trouble code - push the ON/OFF button

5. Auger light flashes but auger motor does not turn at all.

- ✓ If the Auger gear box does not turn but the motor's armature does try to spin then the auger is jammed. – Try to break apart jam by poking at the jam through the drop tube. If this fails then empty the hopper and remove the Auger Cover **Remember to re-seal the cover after installation**
- ✓ Check the fuse on the circuit board.

TROUBLESHOOTING

6. The 200 °F (93 °C) high limit temperature sensor has tripped.

- ✓Reset sensor and determine cause – was it Convection Blower failure or 160 °F (71 °C) Temperature Sensor failure? Bypass the 160 °F (71 °C) sensor, does the Convection blower come on high if not replace the blower? If yes, replace sensor (located on the left side of the firewall).
- ✓Check the fuse on the circuit board.

7. The convection blower will not function normally.

- ✓Clean all grill openings at the back and below unit .
- ✓Press the fan button; does the fan come on? Press again to verify that the blower turns on; if, not contact your local dealer for service.

8. Ignitor- the pellets will not light.

- ✓Everything else in the stove operates but the ignitor will not light the pellets.
- ✓Make sure the burn pot liner is up tight and square to the ignitor tube by pushing the burn pot back against the ignitor tube.
- ✓Check to see if the exhaust blower is operating. If not, contact your local dealer for service.
- ✓Check the fuse on the circuit board.

NOTE: The ignitor should be bright orange in color. If not replace the ignitor.

9. Control settings (Heat Level) has no effect on the fire.

- ✓NOTE: If the system light is flashing the Control Board has complete control of the unit. When the units system light becomes solid then control of the unit is given back to the operator.
- ✓If there is no control of the Heat Level button make sure the thermostat is calling for heat.
- ✓Call your local dealer for service.

10. The stove keeps going out.

If the stove goes out and leaves fresh unburned pellets or cigarette-like ashes in the burn pot liner, the fire is going out before the stove shuts off.

- ✓Check to see that the Slider / Damper is in the correct position.
- ✓Turn the Heat Level up slightly (poor quality pellets will require slightly higher settings).
- ✓Increase the feed rate trim.

If the stove goes out and there are partially burned pellets left in the burn pot liner, the stove has shut down due to a lack of air, exhaust temperature, or power failure.

- ✓Adjust the Slider / Damper.
- ✓Check to see if the stove needs a more complete cleaning.
- ✓Turn the Heat Level up slightly (poor quality pellets will require slightly higher settings).
- ✓Did the power go out?
- ✓Contact your local Dealer for service.

WIRING DIAGRAM

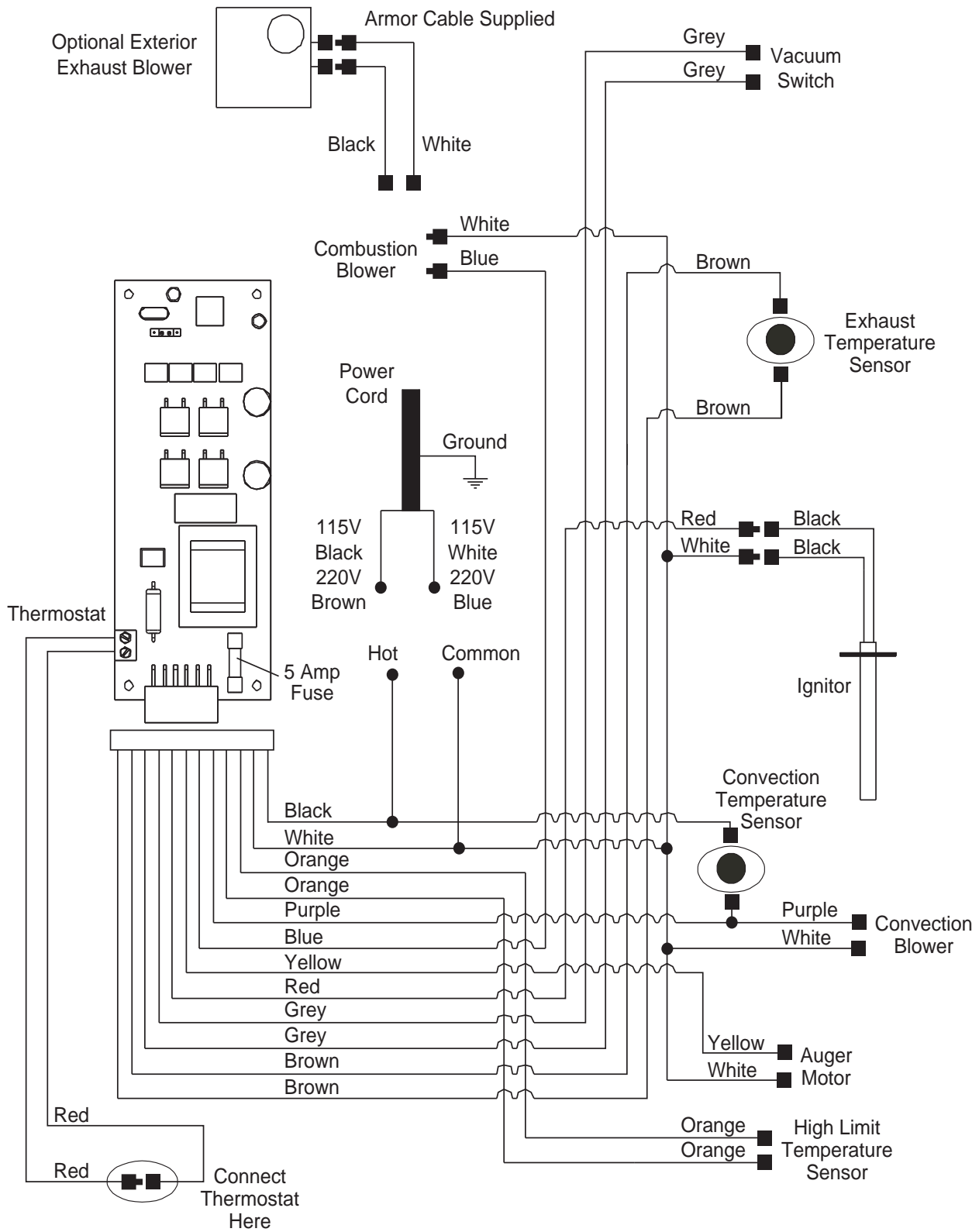


Figure 34: Meridian Wiring Diagram

PARTS LIST - COMPONENTS

Reference Number	Description	Part Number
1	120 °F (49 °C) Ceramic Fan Temperature Sensor	EC-001
	Domestic Power Cord - 115V	EC-042
2	Auger Motor - 115V	EF-001
3	Convection Blower 115V	EF-002
4	Fan Temp Sensor 160 °F (71 °C)	EF-013
5	High Limit Temp Sensor 200 °F (93 °C) Manual Reset	EF-016
6	Vacuum Switch - 115V	EF-017
	Silicone Hose	EF-018
	Aluminum Hose Barb	EF-019
7	Auger	EF-025
8	Circuit Board	50-1929
	Circuit Board Decal	50-1930
9	Brass Auger Bushing	EF-065
10	Combustion/ Exhaust Blower - 115V	50-473
11	Slider Damper Plate	EF-064
	External Exhaust Back	EF5-143
	External Exhaust Box	EF5-144
	External Exhaust Bottom	EF5-145
	45° Exhaust Adaptor	EF5-146
	Exhaust Starter Tube 3" x 2½" Long	EF5-147
	Log Set	20-036
	External Exhaust Kit (3" pipe)	20-070
	60° Exterior Exhaust Adaptor	50-096
	Circuit Board Stand Offs	50-331

PARTS LIST - COMPONENTS

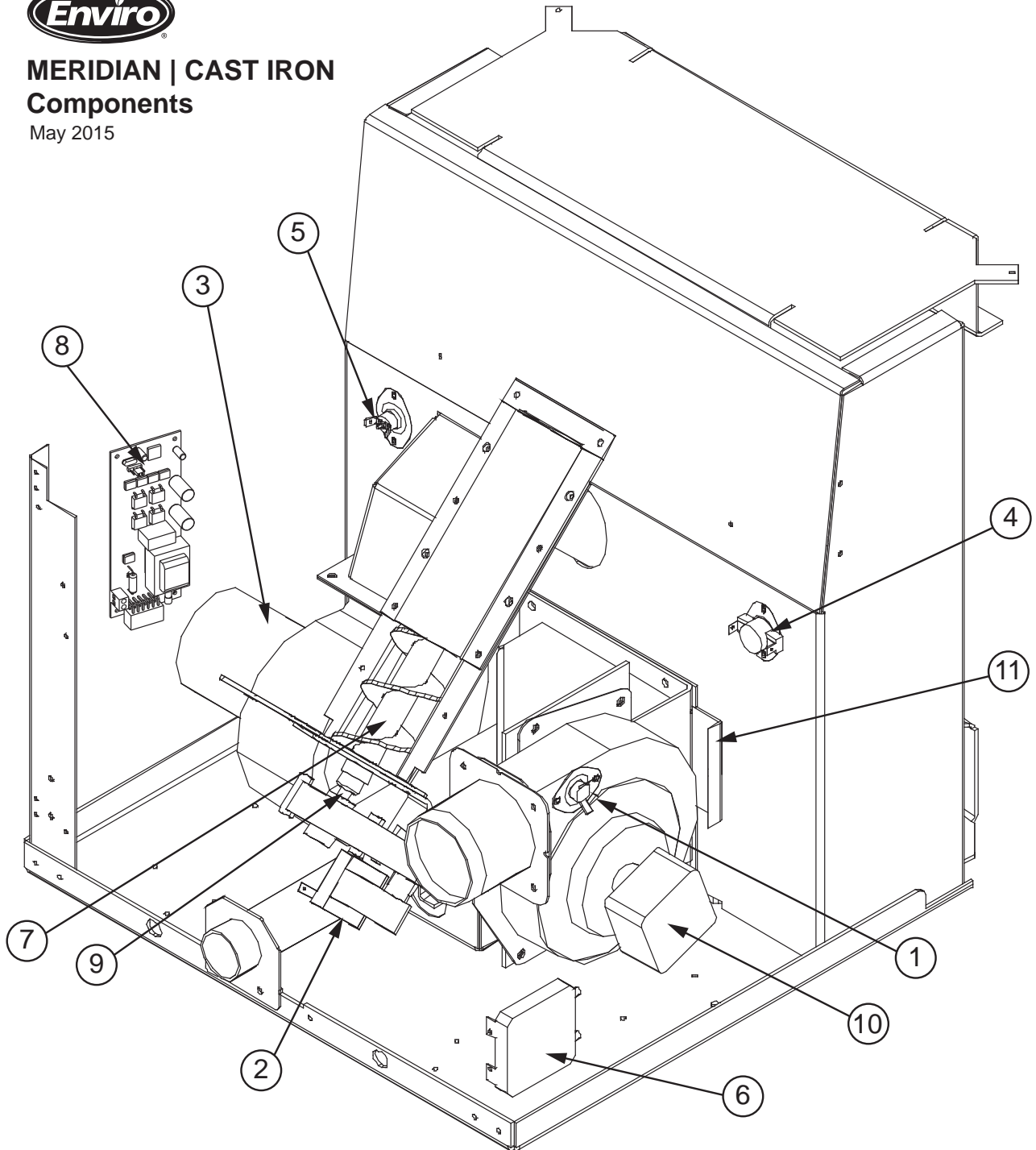
Reference Number	Description	Part Number
12	Burn Pot	50-658
13	Stainless Steel Burn Pot Liner - High Ash	50-587
14	300 Watt Ignitor 115V	50-1067
15	Ash Pan	50-3107
16	Ash Pan Quad Latch	50-2588
17	Fluted Liner Set (3 pcs.)	50-3038
18	Liner Retainer Set (2 pcs.)	50-682
19	Tube Cleaner Rod	50-680
20	Back Grill	50-675
21	Hopper Lid	50-3108
22	Flush Handle for Hopper Lid	50-3109
23	Firebox Door - Complete	50-3110
24	Firebox Door - Glass Set w/ Tape	EF-062
25	Firebox Door - Latch handle	50-2827
26	Wood Door Handle - Complete	50-3111
27	Cast Iron Door	50-2445
28	Cast Iron Top	50-2582
29	Cast Iron Side - Left	50-2442
30	Cast Iron Side - Right	50-2443
31	Cast Iron Leg Lip - Left	50-2113
32	Cast Iron Leg Lip - Right	50-2114
33	Cast Iron Leg	50-2106
	Owner's Manual - 115V	50-3096

PARTS DIAGRAM - COMPONENTS

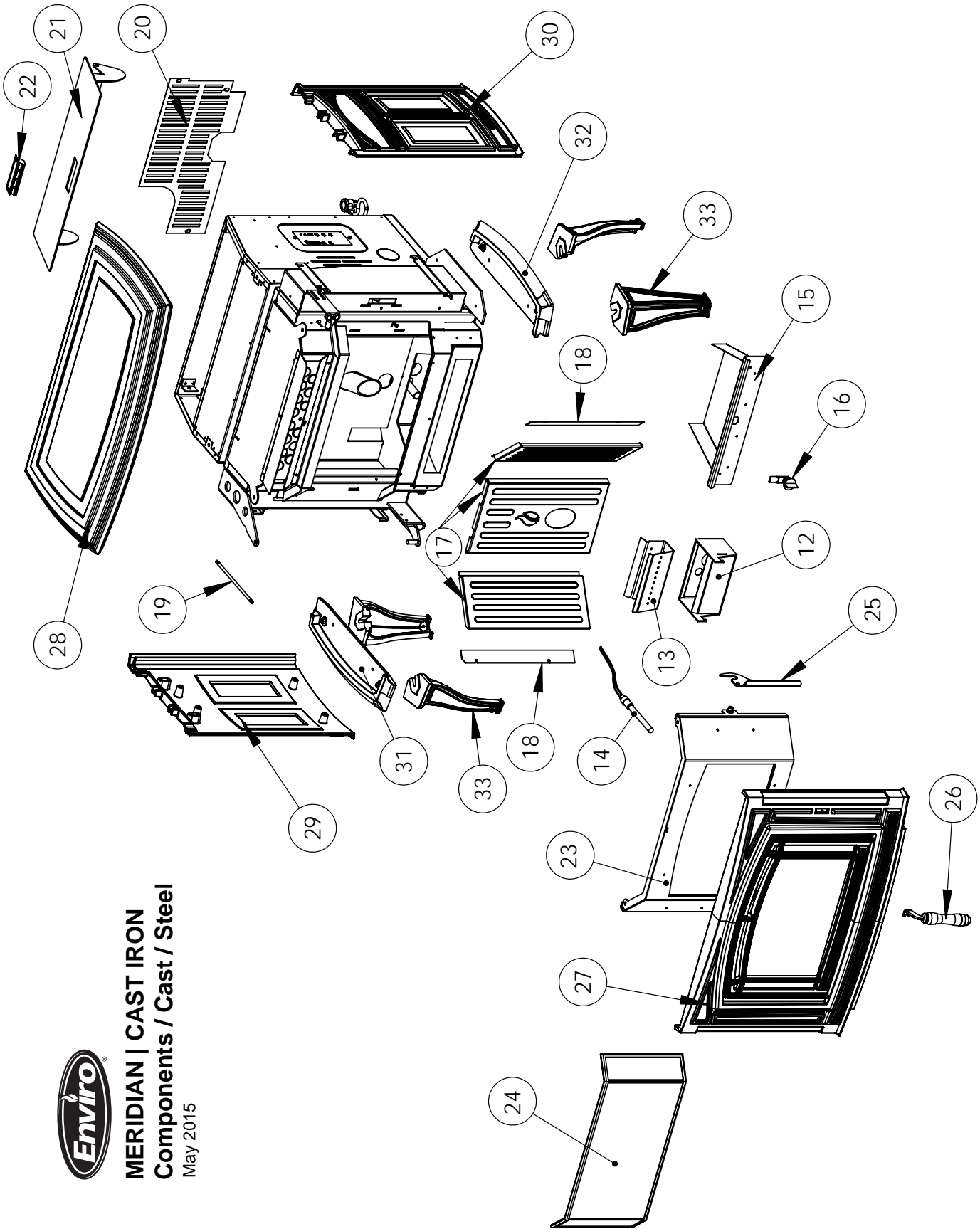


MERIDIAN | CAST IRON Components

May 2015



PARTS DIAGRAM - CAST & STEEL



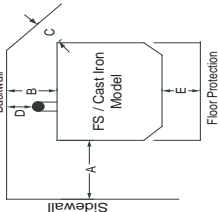
MERIDIAN | CAST IRON
Components / Cast / Steel
 May 2015

RATING LABEL

DO NOT REMOVE THIS LABEL / NE RETIREZ PAS CETTE ÉTIQUETTE

INSTALLED AS A FREESTANDING STOVE MODEL / A INSTALLÉ COMME UN MODÈLE FS, QUIL' SOIT ENCASTRÉ SUR PIED OU DANS UNE MAISON MOBILE. Minimum clearances to combustible materials / Les dégagements minimums aux matériaux combustibles:

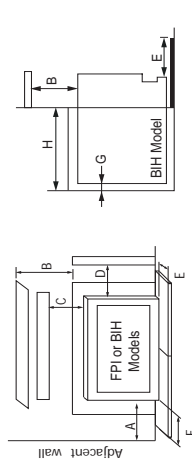
A	Sidewall to Unit (Du mur de côté à l'appareil)	6" (152 mm)
B	Backwall to Unit (Du mur de derrière à l'appareil)	3" (76 mm)
C	Corner to Unit (Du coin à l'appareil)	2" (51 mm)
D	Wall to vent (Le mur pour débiter vent)	3" (76 mm)
E	From door opening of unit to edge of floor protection (De la porte ouvrant au devant de protection de plancher) NOTE: A combustible floor must be protected by a non-combustible material - Width 27" (689mm) by depth 34" (864mm). (Un plancher combustible doit être protégé par un matériau non-combustible - la largeur 27" (689 mm) par la profondeur 34" (864mm).)	6" (152 mm)
	Minimum Alcove Width (La largeur minimum de l'alcove)	36" (914 mm)
	Minimum Alcove Height (La hauteur minimum de l'alcove)	48" (1219 mm)
	Maximum Alcove Depth (La profondeur maximum de l'alcove)	30" (762 mm)



The unit can be installed on a hard, stable non-combustible surface / L'unité peut être installée sur un dur, la surface non-combustible stable.

INSTALL AS A FIREPLACE INSERT STOVE MODEL / A INSTALLÉ COMME UN MODÈLE SUR PIED DE POËLE: Minimum clearances to combustible materials / Les dégagements minimums aux matériaux combustibles:

A	Sidewall to Unit (Du mur de côté à l'appareil)	8" (203 mm)
B	Top of unit to an unshielded 8" (203 mm) mantle (Le sommet de l'unité à un manteau de cheminée non blindé)	8" (203 mm)
C	Unit to top facing (protruding 3/4" [19 mm]) (De l'unité au sommet du parement)	8" (203 mm)
D	Unit to side facing (protruding 3/4" [19 mm]) (De l'unité au côté du parement)	8" (203 mm)
E	From door opening of unit to edge of floor protection (De la porte ouvrant au devant de protection de plancher)	6" (152 mm)
F	From side of unit to edge of floor protection (De l'ouverture de porte pour prendre parti de protection de plancher)	6" (152 mm)



Combustible floors must be protected by a non-combustible material. - See Owners Manual. Le plancher combustible doit être protégé par un matériau incombustible. - Consultez le manuel. Model BIH Only Minimum Clearance to Combustible Materials / Espace de dégagement requis pour le modèle BIH:

G	From Sides and rear walls to standoffs (Les murs côté et mur d'arrière à spacers)	0" (0 mm)
H	Recess depth (Le dos de poêle à une profondeur)	11" (280 mm)



Intertek
Certified for use in Canada & USA
Certifié pour installation au Canada et aux États-Unis.



MANUFACTURED BY / FABRIQUÉ PAR:
SHERWOOD INDUSTRIES LTD.
VICTORIA BC CANADA



Meridian FPI BIH FS Cast Iron

Enviro Model / Modèle:
Serial No. / No. De Série:

Input Rating (Les données évaluant): 12,000 to 45,000 BTU/Hr (3.5 to 13.2 kW/h)
Listed Room Heater, Pelletized Fuel Type (Appareil de chauffage à granulés certifié)
Suitable For Mobile Home Installation (Accepté pour l'installation dans une maison mobile, test)
Conforms to (conforme à): ASTM E1509-12. Certified to (certifié): UL 1482-1998 / UL C-S628-M93

This pellet appliance has been tested and listed for use in manufactured homes in accordance with Oregon Administration Rules 814-23-900 through 814-23-909. Install and use only in accordance with the Manufacturer's installation and operating instructions. Contact local building or fire officials about restrictions and installation inspection in your area. Do not connect this unit to a chimney flue serving another appliance. See local building codes and manufacturer's instructions for precautions required for passing a chimney through a combustible wall or ceiling. Electrical rating: 120 volts, 60 hz, 4.3 Amps. Route cord away from the heater. / Cet appareil a été testé et certifié pour utilisation dans les maisons mobiles en accord avec les "Règles Administratives de l'Oregon 814-23-900 à 814-23-909". Installez et utilisez cet appareil seulement selon les instructions d'installation et d'opération du fabricant. Contactez les autorités locales de votre quartier concernant les restrictions et les inspections d'installation. Consultez les codes de bâtiment locaux et les instructions du fabricant pour les précautions à prendre lorsque une cheminée doit être installée au travers un mur ou un plafond combustible. CLASSEMENT ÉLECTRIQUE : 120 Volts, 60 Hz, 4.1 Amps. Placez le câble électrique loin de la chaudière.

For Use With Only Pelletized Wood fuels. Keep viewing and ash removal doors tightly closed during operation. Only replace glass with ceramic glass. Components required for installation: a 3 inch (75 mm) or 4-inch (100 mm) listed PL vent, complete with forms, insert and Hearth mount installations; a listed single wall chimney liner may be used. Inspect and clean Exhaust Venting system frequently / Utilisation avec les combustibles sous forme de boulets uniquement. Utiliser seulement lorsque les portes avant et la porte du réceptacle de cendres sont fermées. Si une ou des vitres devaient être remplacées, utilisez seulement du verre céramique. Les composants requis pour l'installation sont un évent PL certifié de 3"/75mm ou 4"/100mm avec ses composantes. Les installations insertion et de mont de foyer; un paquebot de cheminée de mur de seul énuméré peut être utilisé.

To Start Stove: Press the ON/OFF button. If the auger needs to be primed, press the Manual Auger Feed button until fuel starts to drop into the Burn Pot.
To Operate Stove: MANUAL MODE: When a fire has been established the stove settings are adjustable. / HIGH/LOW MODE: (Requires a thermostat) When the thermostat contacts open, the stove settings are adjustable. When the thermostat contacts close, the unit will light automatically. Once up to temperature, the stove settings are adjustable. When the thermostat contacts open, the stove will drop down to the LOW settings for 30 minutes. If within the 30 min the thermostat contacts close, the HEAT LEVEL will return to previous MANUAL setting or if the thermostat contacts remain open the stove begin its shutdown routine. **To Turn Off Stove:** MANUAL and HI/LOW mode: Press the ON/OFF button. Press the Manual Auger Feed button until fuel starts to drop into the Burn Pot.

For Demarrage: Appuyez sur le bouton "ON/OFF". Si le Auger nécessite d'être amorcé, appuyez sur le bouton manuel d'alimentation du Auger jusqu'à ce que les granulés se déversent dans le pot de combustion. **Pour faire fonctionner le poêle:** MODE MANUEL: Lorsque le feu est bien établi, les réglages peuvent être ajustés. / MODE "HIGH/LOW": (Nécessite un thermostat) Lorsque le thermostat requière de la chaleur, les réglages peuvent être ajustés. Lorsque les contacts du thermostat ouvrent, le réglage du niveau de chaleur et les ventilateurs s'ajustent au réglage "bas" jusqu'à ce que les contacts du thermostat se referment. / MODE "AUTO/OFF": (Nécessite un thermostat) Lorsque les contacts du thermostat ouvrent, le poêle s'allumera automatiquement. Lorsque la température adéquate est atteinte, les réglages peuvent être ajustés. Lorsque les contacts du thermostat ouvrent, le poêle s'ajustera aux réglages "LOW" pendant 30 minutes. Si les contacts du thermostat sont fermés pendant ces 30 minutes, le réglage de niveau de chaleur retournera en réglages "MANUEL" ou si les contacts du thermostat restent ouverts, le poêle entamera le processus d'arrêt. **Pour éteindre le poêle:** MODE MANUEL ET "HIGH/LOW": Appuyez sur le bouton "ON/OFF" / OFF". Régler le thermostat à la baisse ou éteignez le. U.S. ENVIRONMENTAL PROTECTION AGENCY: Certified to comply with 2015 particulate emission standards. Not approved for sale after May 15, 2020. This pellet heater needs periodic inspection and repair for proper operation. Consult the owner's manual for further information. It is against federal regulations to operate this heater in a manner inconsistent with the operating instructions in the owner's manual. This heater meets the 2015 U.S. Environmental Protection Agency's pellet emission limits for pellet units sold after May 15, 2015. Under specific test conditions this heater has been shown to have a particulate emission level of 1.1 g/h. ENVIRONMENTAL PROTECTION AGENCY US conforme aux normes 2015 d'émission de particules. Non approuvé pour la vente après le 15 mai à 2020. Ce poêle à granulés nécessite une inspection périodique et la réparation pour un fonctionnement correct. Consultez le manuel d'owner's pour plus d'informations. Il est contre les règlements fédéraux pour exploiter cette pastille chauffée d'une manière incompatible avec les instructions de fonctionnement dans le manuel d'owner's. Ce poêle répond aux normes limites d'émission de l'Environmental Protection Agency des États-Unis 2015 pour les unités de pellets vendus après le 15 mai 2015. Dans des conditions de test spécifiques, ce poêle a été montré pour avoir un niveau d'émission de particules de 1.1 g/h.

CAUTION: Hot while in operation. DO NOT touch, keep children, clothing & furniture away. Contact may cause skin burns. See nameplate & instructions



ATTENTION: Chaud pendant le fonctionnement. NE PAS toucher, garder les enfants, vêtements et meubles. Le contact peut provoquer des brûlures de la peau. Voir plaque signalétique et les instructions

DATE OF MANUFACTURE / DATE DE FABRICATION:

J F M A M J J A S O N D 2015 2016 2017

C-14657

NOTES



Warranty for Enviro Pellet Products

Sherwood Industries Ltd. ("Sherwood") hereby warrants, subject to the terms and conditions herein set forth, this product against defects in material and workmanship during the specified warranty period starting from the date of original purchase at retail. In the event of a defect of material or workmanship during the specified warranty period, Sherwood reserves the right to make repairs or to assess the replacement of a defective product at Sherwood's factory. The shipping costs are to be paid by the consumer. All warranties by Sherwood are set forth herein and no claim shall be made against Sherwood on any oral warranty or representation.

Conditions

- A completed warranty registration must be submitted to Sherwood within 90 days of original purchase via the online warranty registration page or via the mail-in warranty registration card provided. Have the installer fill in the installation data sheet in the back of the manual for warranty and future reference.
- This warranty applies only to the original owner in the original location from date of install.
- The unit must have been properly installed by a qualified technician or installer, and must meet all local and national building code requirements.
- The warranty does not cover removal and re-installation costs.
- Sherwood Industries Ltd. reserves the right to make changes without notice.
- Sherwood Industries Ltd. and its employees or representatives will not assume any damages, either directly or indirectly caused by improper usage, operation, installation, servicing or maintenance of this appliance.
- A proof of original purchase must be provided by you or the dealer including serial number.

Exclusions

An expanded list of exclusions is available at www.enviro.com/help/warranty.html

This warranty does not cover:

- Damage as a result of improper usage or abuse.
- Damage caused from over-firing due to incorrect setup or tampering.
- Damage caused by incorrect installation.

To the Dealer

- Provide name, address and telephone number of purchaser and date of purchase.
- Provide date of purchase. Name of installer and dealer. Serial number of the appliance. Nature of complaint, defects or malfunction, description and part # of any parts replaced.
- Pictures or return of damaged or defective product may be required.

To the Distributor

- Sign and verify that work and information are correct.

Sherwood Industries Ltd.

6782 Oldfield Road, Victoria, BC . Canada V8M 2A3
 Online warranty registration: www.enviro.com/warranty/

Category	One Year	Two Year	Limited Lifetime (7yr)
Parts ¹ (unit serial number required)		✓	
Firebox Brick Panels (Cast)		✓	
Firebox			✓
Heat Exchanger			✓
Burn Pot			✓
Burn Pot Liner		✓	
Firebox Liner Panels w/Insulation			✓
Ceramic Glass ²	✓		
Pedestal / Legs (excluding finish)			✓
Surround Panels (excluding finish)			✓
Exterior Panels (excluding finish)			Up to 5 years
Electrical Components		✓	
Steel Brick Liner (Metal)	✓		
Exterior Surface Finishing ³	✓		
Labour	✓		

¹ Whereas warranty has expired, replacement parts will be warranted for 90 days from part purchase date. Labour not included. Unit serial number required.

² Glass is covered for thermal breakage. Photos of box, inside of door, and unit serial # must be supplied for breakage due to shipping.

³ Exterior Surface finishing covers Plating, Enamel or Paint and excludes colour changes, chipping, and fingerprints.

Gaskets not covered by Warranty.

Travel costs not included.

Cast Agitator: 1 year for pellet. Not covered when burning alternative fuels. (Cast agitators are a consumable item)

INSTALLATION DATA SHEET

The following information must be recorded by the installer for warranty purposes and future reference.

NAME OF OWNER: _____
ADDRESS: _____ _____ _____
PHONE: _____

NAME OF DEALER: _____
ADDRESS: _____ _____ _____
PHONE: _____

MODEL: _____
SERIAL NUMBER: _____
DATE OF PURCHASE: _____ (dd/mm/yyyy)
DATE OF INSTALLATION: _____ (dd/mm/yyyy)
MAGNEHELIC AT INSTALL: _____
INSTALLER'S SIGNATURE: _____

NAME OF INSTALLER: _____
ADDRESS: _____ _____ _____
PHONE: _____