



WOOD STOVES, WOOD INSERTS
ZERO CLEARANCE WOOD FIREPLACE
PELLET STOVES
EPA

www.enerzone-intl.com



CONTEMPORARY DESIGN FOR A NEW DESTINATION



PAPYRUS
Fireplace tool sets
See page 27

SUMMARY

TOP 10 REASONS FOR BUYING A PELLETT STOVE

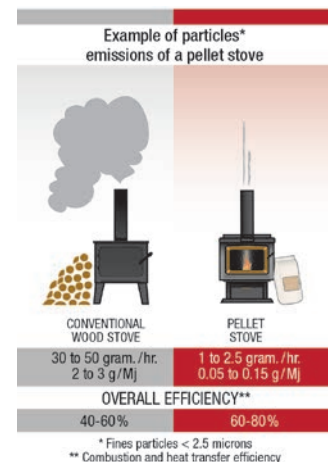
- 1 Fuel is relatively cheap, easy to handle and store.
- 2 Installation is relatively inexpensive and flexible.
- 3 Can be thermostatically controlled.
- 4 Can run for long hours without the need to refuel.
- 5 Heat output is steady because fuel feed is regulated.
- 6 Provides powerful convection heat.
- 7 Has the lowest emissions of all solid fuels.
- 8 Reduces our dependence on fossil fuels.
- 9 Pellets are a renewable fuel.
- 10 Wood pellets are made of 100% residual matter (sawdust). This creates added-value from waste that would otherwise end up in a landfill.

ABOUT PELLETT HEATING	2
WOOD HEATING AND THE ENVIRONNEMENT	3
WOOD STOVES	
Solution 1.3	4
Solution 1.6	5
Destination 1.6	6
Solution 1.8	7
Solution 2.3	8
Destination 2.3	9
Solution 2.9	10
Solution 3.4	11
Technical data	
General features	12
Specific features	13
WOOD INSERTS	
Destination 1.5-I	14
Solution 1.8-I	15
Solution 2.3-I	16
Destination 2.3-I	17
Technical data	
General features	18
Specific features	19
ZERO CLEARANCE WOOD FIREPLACE	
Solution 2.5-ZC	20
It's now time to manage heat distribution!	21
Technical data	
Specific features	22
PELETT STOVES	
Eurostar	23
Euromax	24
Technical data	
General features	25
Specific features	26
FIREPLACE TOOL SETS	27

About pellet heating

Pellet stoves offer a dramatic improvement in the convenience of heating with solid fuel. Wood pellets are handled in bags and are therefore easily and cleanly stored. A single loading of a pellet stove can provide long hours of warmth. Pellet stoves also provide a special comfort associated with wood burning. The combination of fans delivering warm air currents and the direct comfort of radiant heat provides special satisfaction on a cold winter day. The heat provided is even and constant, due to the auto fuel feed responding to owner settings. Pellet stoves also offer strong environmental benefits; pellets not only reduce dependence on finite supplies of fossil fuels like oil and gas, but they also put to good use materials that would otherwise unnecessarily and expensively add to our waste disposal problems.

In addition, pellet stoves burn very cleanly and offer the lowest emissions of unwanted pollutants of all solid fuel burning appliances.



Wood heating and the environment

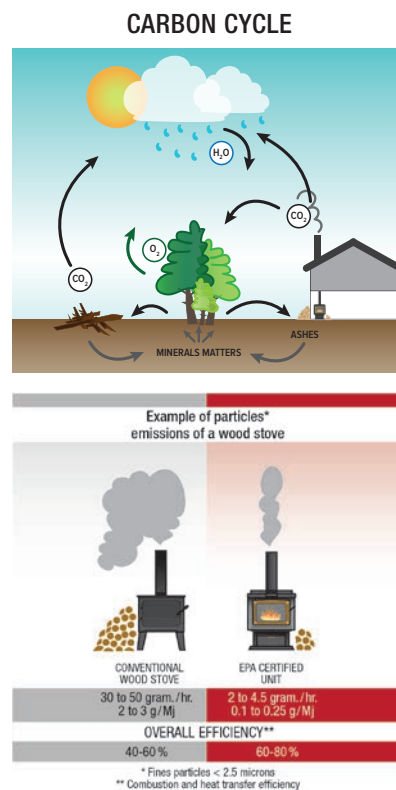
When oil, gas, and coal are burned, the carbon they contain is oxidized to carbon dioxide (CO₂), the main greenhouse gas. In effect, the combustion of fossil fuels releases ancient carbon (carbon that has been buried within the earth for thousands of years), thereby increasing the atmospheric concentration of carbon dioxide (CO₂). In comparison, wood combustion can be considered carbon neutral because trees absorb CO₂ as they grow. This process is called carbon sequestration. Approximately one ton of carbon is sequestered for each cubic meter of wood. When trees mature, die, fall in the forest and decompose, the same amount of carbon is emitted as would be released if they were burned for heat. This cycle can be repeated forever without increasing atmospheric carbon. A healthy forest is not a museum, but a living community of plants and animals. When trees are used for energy, a part of the forests carbon «bank» is diverted from the natural decay and forest cycle into our homes to heat them. When we heat with wood, we are simply tapping into the natural carbon cycle in which CO₂ flows from the atmosphere to the forest and back. The key to ecologically sound and sustainable wood energy use is to ensure that the forest remains healthy, maintains a stable level of variously aged trees and provides a good habitat for a diversity of other species, both plants and animals. Ensuring there is a healthy fuelwood market is key to a sustainable forestry plan. Landowners have more incentive to remove low value trees and manage their forests sustainably knowing there is a market for this low value material.

The combustion of wood produces small particles that are called PM2.5. Those particles are 30 times smaller than a human hair. They can aggravate certain lung and heart diseases and have been linked with health problems such as asthma. Sources of PM2.5 include combustion under various forms, such as the one used for cars and trucks,

wood heating, as well as other industrial processes. While it is true that old technology like open fireplaces and simple heaters could not burn the wood completely, the new generation of wood-burning appliances are designed to burn particles. They produce almost no visible smoke. The wood-heating industry has evolved. The vast majority of appliances sold on the market now meet the particles emissions limits set by the US Environmental Protection Agency as well as the Canadian standard CSA B415.1. For example, the Environmental Protection Agency, better known as EPA, limits emissions of certified wood heating appliances to no more than 4.5 grams per hour. In comparison, older conventional wood appliances average 40 grams per hour. Numerous countries, provinces and municipalities, have adopted laws that regulate the sale of woodheating appliances that do not meet the latest standards in terms of particles emissions. Among them, we can name the United States, Australia, New Zealand, as well as numerous countries that are part of the European Union. In Canada, British Columbia, Quebec, Nova Scotia, New Brunswick, and Newfoundland have also introduced laws regulating the sale of wood-heating appliances.

Wood, when burned in an appliance that has been tested to the EPA or CSA B415.1 standards, emits up to 90% less particles. It is a clean, renewable energy source. Furthermore,

the reduction in fuelwood consumption reaches up to 33% when advanced wood combustion systems are used. This is because certified wood appliances are 60% to 80% efficient, compared with 40% to 60% for conventional units. As for appliances burning wood pellets, they have amongst the lowest particulate emissions of all solid-fuel burning appliances. They are manufactured from waste products and other renewable resources right here in North America. They represent a huge source of heating fuel from material that would otherwise be sent to landfills.





On legs with black door

On pedestal with brushed nickel door



WOOD STOVE

SOLUTION 1.3

EB00011



◆ REQUIRED ACCESSORIES

- Pedestal or black steel legs
- Cast iron door overlay painted black or brushed nickel

◆ OPTIONS

- Air mate
- Premium quality 130 CFM blower with variable speed control and thermodisc
- Quick-connect thermodisc kit
- Fresh air intake kit (5" Diameter)
- Fire screen
- Insulated fresh air intake pipe (4' Length, 5" Diameter)

FEATURES*

- Recommended heating area: 250 to 1,000 sq. ft.
- Firebox volume: 1.3 cu. ft.
- BTU/h, EPA test wood: 21,800
- BTU/h, seasoned cord wood: 40,000
- Exterior dimensions (pedestal): 22 1/2" W x 22" D x 26 5/8" H
- Exterior dimensions (legs): 22 1/2" W x 21 7/8" D x 26 1/2" H
- Maximum log length: 17"

* See complete technical data on pages 12 and 13.



On pedestal with brushed nickel door

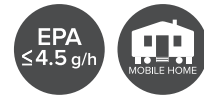
EQUISS LOG HOLDER
Fireplace tool sets
See page 27

On legs with black door

WOOD STOVE SOLUTION 1.6

EB00017

Solution 1.6 is the perfect way to effectively heat small areas. This device has all the technical features you need in a high efficiency wood stove. The steel leg option makes it a very accessible unit for almost any user. Despite its small size, the Solution 1.6 still offers many of the standard and optional features of the other Enerzone models, such as covered ash drawer, powerful 130 CFM fan, thermodisc and fresh air supply adapter. The price/quality ratio of Solution 1.6 makes it an excellent choice for the discerning buyer.



FEATURES *

- Recommended heating area: 500 to 1,500 sq. ft.
- Firebox volume: 1.6 cu. ft.
- BTU/h, EPA test wood: 23,300
- BTU/h, seasoned cord wood: 55,000
- Exterior dimensions (pedestal): 23 3/8" W x 22 1/2" D x 30 7/8" H
- Exterior dimensions (legs): 23 3/8" W x 22 1/2" D x 28 1/2" H
- Maximum log length: 17"
- Ash drawer with safety lid: Yes
- Mobile home approved: Yes

* See complete technical data on pages 12 and 13.

◆ REQUIRED ACCESSORIES

Pedestal or steel legs and ash pan
Cast iron door overlay painted black or brushed nickel plated

◆ OPTIONS

Premium quality 130 CFM blower with variable speed control and thermodisc
Fresh air intake kit (5" Diameter)
Insulated fresh air intake pipe (4' Length, 5" Diameter)
Air mate
Fire screen
Quick-connect thermodisc kit



DUPLEX
Fireplace tool sets
See page 27

With red enameled decorative side panels



With brushed stainless steel finish decorative side panels



With black painted decorative side panels

WOOD STOVE

DESTINATION 1.6

EB00025



The **Destination 1.6** is the ideal heating appliance for those looking for efficiency and a contemporary interior design. This small ecological wood stove provides a maximum heat output of 55,000 BTU/hr with an emissions rate of only 4 g/h. It features an incredible view of the fire and comes with an easy-to-operate door latch system that complements its clean lines. In addition to providing a convenient and safe pedestal to store your logs, the Destination 1.6 can be customized according to your taste and décor, thanks to its modular side panels available in a variety of different finishes. You will also have the choice of adding a 130 CFM blower and a thermodisc for improved heat distribution. Moreover, it can be connected to a fresh air kit without the need for any special adaptor.

◆ REQUIRED ACCESSORIES

Decorative side panel kit in brushed stainless steel finish, red enameled or black painted

◆ OPTIONS

- Premium quality 130 CFM blower with variable speed control and thermodisc
- Insulated fresh air intake pipe (4' Length, 5" Diameter)
- Quick-connect thermodisc kit

FEATURES*

- Recommended heating area: 500 to 1,500 sq. ft.
- Firebox volume: 1.6 cu. ft.
- BTU/h, EPA test wood: 23,275
- BTU/h, seasoned cord wood: 55,000
- Exterior dimensions: 26 1/8" W x 20 5/8" D x 32 7/8" H
- Maximum log length: 17"
- Ash drawer with safety lid: Yes
- Mobile home approved (fresh air intake included): Yes**

* See complete technical data on pages 12 and 13.



FUSIO LOG HOLDER
Fireplace tool sets
See page 27

On brushed nickel legs with brushed nickel door



On pedestal with brushed nickel door

WOOD STOVE

SOLUTION 1.8

EB00002

Solution 1.8 is a mid-size heating device that earns high marks in both performance and attractive styling. Its slightly curved top, arched door, distinctive lines and choice of pedestal or curved legs creates a look that combines rustic with modern. Like all wood-burning models in the Enerzone line, it uses combustion technology with a secondary air supply tested to meet EPA emissions standards (Environmental Protection Agency). The particulate matter is burned before being released into the atmosphere for economic combustion that protects the environment. Solution 1.8 is a versatile auxiliary device for responsible heating today and in the future.

FEATURES *

- Recommended heating area: 500 to 1,800 sq. ft.
- Firebox volume: 1.8 cu. ft.
- BTU/h, EPA test wood: 34,000
- BTU/h, seasoned cord wood: 65,000
- Exterior dimensions (pedestal): 26"W x 22 3/8"D x 29 5/8"H
- Exterior dimensions (legs): 28 3/8"W x 22 3/8"D x 28 1/4"H
- Maximum log length: 20"
- Ash drawer with safety lid: Yes
- Mobile home approved: Yes (pedestal version only)

* See complete technical data on pages 12 and 13.



◆ REQUIRED ACCESSORIES

Pedestal or cast iron legs (painted black or brushed nickel plated) and ash pan
Cast iron door overlay painted black or brushed nickel plated

◆ OPTIONS

Air mate
Premium quality 130 CFM blower with variable speed control and thermodisc
Fresh air intake kit (5" Diameter)
Available on pedestal model only
Insulated fresh air intake pipe (4' Length, 5" Diameter)
Quick-connect thermodisc kit



On brushed nickel legs with brushed nickel door



On black legs with black door

WOOD STOVE SOLUTION 2.3

EPA
≤ 4.5 g/h

◆ REQUIRED ACCESSORIES

Pedestal or cast iron legs (painted black or brushed nickel plated) and ash pan

Cast iron door overlay painted black or brushed nickel plated

◆ OPTIONS

Fire screen

Air mate

Premium quality 130 CFM blower with variable speed control and thermodisc

Fresh air intake kit (5" Diameter)

Insulated fresh air intake pipe (4' Length, 5" Diameter)

Quick-connect thermodisc kit

EB00012

The new **Solution 2.3** model produces average particulate emissions of 3.89 g/hr. and is EPA Washington state approved. It is often the choice of informed consumers who know the secrets of wood heating. Its firebox is 21 inches wide and 16.5 inches deep, so logs can be placed side-to-side or front-to-back. Like its smaller cousin, Solution 1.8, it has an ingenious door overlay system that allows you to choose between a black or brushed nickel finish. All other options - such as choice of legs or pedestal, variable speed 130 CFM fan and air mate - are also available. Although the firebox is roomy, Solution 2.3 boasts a balanced design that combines a decorative touch with serious heating power.

FEATURES*

- Recommended heating area: 500 to 2,100 sq. ft.
- Firebox volume: 2.3 cu. ft.
- BTU/h, EPA test wood: 32,200
- BTU/h, seasoned cord wood: 75,000
- Exterior dimensions (pedestal): 26"W x 26 7/8"D x 33 1/2"H
- Exterior dimensions (legs): 28 1/2"W x 26 7/8"D x 30 3/4"H
- Maximum log length: 20"
- Ash drawer with safety lid: Yes

* See complete technical data on pages 12 and 13.



SILHOUETTE
Fireplace tool sets
See page 27

With brushed stainless steel finish decorative side panels



With black painted decorative side panels

WOOD STOVE

DESTINATION 2.3

EB00022

The smooth shapes of the cast iron combined with the contemporary style of the **Destination 2.3** make this stove the perfect choice to align style and heating power. The decorative side shields, which can be offered with a stainless steel finish, remind us of the contradiction offered by wood heating: a modern and efficient energy, witness of our evolution through the Ages. Logs can be easily placed underneath the large firebox, making the Destination 2.3 a convenient and elegant heating appliance. Dedicated users will appreciate the standard blower to further harness the exceptional convection power offered by this stove.

FEATURES*

- Recommended heating area: 750 to 2,100 sq. ft.
- Firebox volume: 2.3 cu. ft.
- BTU/h, EPA test wood: 32,200
- BTU/h, seasoned cord wood: 75,000
- Exterior dimensions: 28 5/8"W x 25 3/8"D x 37 1/2"H
- Maximum log length: 20"
- Ash drawer with safety lid: Yes
- Quick connect thermodisc kit: Standard
- Premium quality 130 CFM blower with variable speed control and thermodisc: Yes
- Mobile home approved (fresh air intake included): Yes**
- Reversible door: Yes

* See complete technical data on pages 12 and 13.



◆ REQUIRED ACCESSORIES

Decorative side panel kit in brushed stainless steel finish or black painted

◆ OPTIONS

Fire screen
Insulated fresh air intake pipe
(4' Length, 5" Diameter)



On pedestal with black door



On brushed nickel legs with brushed nickel door

WOOD STOVE SOLUTION 2.9

EPA
≤ 4.5 g/h

◆ REQUIRED ACCESSORIES

Pedestal or cast iron legs (painted black or brushed nickel plated) and ash pan

Cast iron door overlay painted black or brushed nickel plated

◆ OPTIONS

Fresh air intake kit (5" Diameter)
Available on pedestal model only

Air mate

Premium quality 130 CFM blower with
variable speed control and thermodisc

Insulated fresh air intake pipe
(4' Length, 5" Diameter)

Quick-connect thermodisc kit

EB00004

The wood heat cognoscenti immediately recognize **Solution 2.9** as the top of the line in wood heating devices. The steel top alone - at 3/8 of an inch thick - says volumes about the design! The firebox is oriented front-to-back to accept logs up to 19" long. The secondary air supply is balanced front, top and back using a clever system of pilots strategically placed in the firebox. The result is simple, effective and incredibly clean heat. Despite its large size, Solution 2.9 produces average particulate emissions of 4.3 g/hr. In other words, demanding users choose Solution 2.9 for style and high performance... for life!

FEATURES*

- Recommended heating area: 750 to 2,300 sq. ft.
- Firebox volume: 2.9 cu. ft.
- BTU/h, EPA test wood: 29,400
- BTU/h, seasoned cord wood: 85,000
- Exterior dimensions (pedestal): 25"W x 28"D x 34 1/4"H
- Exterior dimensions (legs): 25 5/8"W x 28 3/4"D x 31 3/4"H
- Maximum log length: 19"
- Ash drawer with safety lid: Yes

* See complete technical data on pages 12 and 13.



With brushed nickel door

ABRIK
Fireplace tool sets
See page 27

WOOD STOVE SOLUTION 3.4

EB00007

The **Solution 3.4** is the ultimate device for people who want all the power possible from a wood heating system. Its huge 3.4 cubic-foot firebox holds 22-inch logs and provides an outstanding burning time. This appliance also has a baffle moulded in C-Cast, a light and revolutionary refractory material that guarantees exceptional durability. The weighted average of particulate emissions produced by this appliance comes to less than 3.8 g/hr., making this stove one of the cleanest units in its range. Check out the technical specifications of the Solution 3.4 to find out more about the many features, including a 3/8" steel top and a blower, that make up this unique product - and make the dream your own.



FEATURES*

- ▶ Recommended heating area: 1,000 to 2,700 sq. ft.
- ▶ Firebox volume: 3.4 cu. ft.
- ▶ BTU/h, EPA test wood: 60,175
- ▶ BTU/h, seasoned cord: 100,000
- ▶ Exterior dimensions (pedestal): 28"W x 33 1/2"D x 35 1/8"H
- ▶ Maximum log length: 22"
- ▶ Ash drawer with safety lid: Yes
- ▶ Premium quality 130 CFM blower with variable speed control and thermodisc: Yes
- ▶ Air mate (included): Yes

* See complete technical data on pages 12 and 13.

◆ REQUIRED ACCESSORIES

Cast iron door overlay painted black or brushed nickel plated

◆ OPTIONS

Quick-connect thermodisc kit

TECHNICAL DATA

General features ♦ WOOD STOVES



Models	Solution 1.3	Solution 1.6	Destination 1.6	Solution 1.8
Color	Metallic black	Metallic black	Metallic black	Metallic black
Maximum burn time (see note 1 on page 13)	3 to 5 hours	5 to 6 hours	5 to 6 hours	5 to 6 hours
Combustion technology	Non-catalytic	Non-catalytic	Non-catalytic	Non-catalytic
Recommended heating area (see note 1 on page 13)	250 to 1,000 sq. ft.	500 to 1,500 sq. ft.	500 to 1,500 sq. ft.	500 to 1,800 sq. ft.
Maximum BTU/h EPA test wood	21,800	23,300	23,275	34,000
Maximum BTU/h - Seasoned cordwood	40,000	55,000	55,000	65,000
Average particulate emissions rate	3.99 g/h	4.02 g/h	4.02 g/h	4.3 g/h
Optimum efficiency	78.2%	75.3%	75.3%	75%
Door opening dimensions (W x H)	15" x 7 5/8"	15 3/4" x 8"	15 3/4" x 7 1/2"	17 1/2" x 7 7/8"
Firebox dimensions (W x D)	18 3/8" x 12 1/2"	18 1/8" x 13 3/4"	18 1/8" x 13 1/2"	21" x 13 3/4"
Firebox volume	1.3 cu. ft	1.6 cu. ft	1.6 cu. ft	1.8 cu. ft
Glass viewing area (W x H)	14 1/4" x 8 3/8"	14 1/4" x 8 3/8"	15 7/8" x 9"	16 1/4" x 8 3/4"
Door type - Glass with cast iron frame	Yes	Yes	Yes	Yes
Maximum log length	17"	17"	17"	20"
Flue spigot diameter	6"	6"	6"	6"
Type of glass	Ceramic glass	Ceramic glass	Ceramic glass	Ceramic glass
Ash drawer with lid	No	Yes	Yes	Yes
Mobile home approved *	No	Yes	Yes	Yes
Warranty	Warranty Limited lifetime			
Test standard - Emissions / efficiency	EPA / CSA B415.1			
Test standard - Safety	As per ULC S627, UL 1482, UL 737, NFPA 211, CSA B365 applicable in Canada and in the USA			



Models	Solution 2.3	Destination 2.3	Solution 2.9	Solution 3.4
Color	Metallic black	Metallic black	Metallic black	Metallic black
Maximum burn time (see note 1 on page 13)	6 to 8 hours	6 to 8 hours	8 to 9 hours	9 to 10 hours
Combustion technology	Non-catalytic	Non-catalytic	Non-catalytic	Non-catalytic
Recommended heating area (see note 1 on page 13)	500 to 2,100 sq. ft.	750 to 2,100 sq. ft.	750 to 2,300 sq. ft.	1,000 to 2,700 sq. ft.
Maximum BTU/h EPA test wood	32,200	32,200	29,400	60,175
Maximum BTU/h - Seasoned cordwood	75,000	75,000	85,000	100,000
Average particulate emissions rate	3.85 g/h	3.85 g/h	4.3 g/h	3.9 g/h
Optimum efficiency	77.2%	77.2%	76%	78%
Door opening dimensions (W x H)	17 1/2" x 9"	17 1/2" x 8 3/4"	15 1/2" x 9 3/4"	17 7/8" x 8 1/2"
Firebox dimensions (W x D)	21" x 16 1/2"	21" x 16 1/2"	16 3/4" x 19 1/8"	22 7/8" x 20 5/8"
Firebox volume	2.3 cu. ft.	2.3 cu. ft.	2.9 cu. ft.	3.4 cu. ft.
Glass viewing area (W x H)	16 1/4" x 8 3/4"	18" x 11 7/8"	14 7/8" x 10 3/8"	16 1/4" x 8 3/4"
Door type - Glass with cast iron frame	Yes	Yes	Yes	Yes
Maximum log length	20"	20"	19"	22"
Flue spigot diameter	6"	6"	6"	6"
Type of glass	Ceramic glass	Ceramic glass	Ceramic glass	Ceramic glass
Ash drawer with lid	Yes	Yes	Yes	Yes
Mobile home approved *	Yes	Yes	No	No
Warranty	Warranty Limited lifetime			
Test standard - Emissions / efficiency	EPA / CSA B415.1			
Test standard - Safety	As per ULC S627, UL 1482, UL 737, NFPA 211, CSA B365 applicable in Canada and in the USA			

* Fresh air intake kit required.

Specific features ♦ FREESTANDING WOOD STOVES

Models	Solution 1.3	Solution 1.6	Destination 1.6	Solution 1.8	Solution 2.3	Destination 2.3	Solution 2.9	Solution 3.4
Exterior dimensions and weight								
Width (pedestal)	22 1/2"	23 3/8"	26 1/8"	26"	26"	28 5/8"	25"	28"
Width (legs)	22 1/2"	23 3/8"	N/A	28 3/8"	28 1/2"	N/A	25 5/8"	N/A
Depth (pedestal)	22"	22 1/2"	20 5/8"	22 3/8"	26 7/8"	25 3/8"	28"	33 1/2"
Depth (legs)	21 7/8"	22 1/2"	N/A	22 3/8"	26 7/8"	N/A	28 3/4"	N/A
Height (pedestal)	26 5/8"	30 7/8"	32 7/8"	28 5/8"	33 1/2"	37 1/2"	34 1/4"	35 1/8"
Height (legs)	26 1/2"	28 1/2"	N/A	28 1/4"	30 3/4"	N/A	31 3/4"	N/A
Weight	264 lb (120 kg)	289 lb (131 kg)	349 lb (158 kg)	316 lb (143 kg)	386 lb (176 kg)	544 lb (247 kg)	420 lb (191 kg)	547 lb (248 kg)
Clearances from unit to combustible materials (figures 1, 2 and 3)								
With single wall pipe *	(Canada/US)	(Canada/US)	(Canada/US)	(Canada/US)	(Canada/US)	(Canada/US)	(Canada/US)	(Canada/US)
A- Back	15 1/2"/15"	15 1/5"	15 1/5"	14 7/14"	15 1/5"	15 1/5"	14 7/10"	19 7/19"
B- Side	18 7/18"	16 7/16"	16 7/16"	12 7/12"	17 7/17"	16 7/16"	14 7/14"	19 7/19"
C- Corner	10 7/10"	8 1/2"/8"	8 1/2"/8"	7 7/7"	10 7/10"	10 7/10"	7 7/6"	11 7/11"
D- Ceiling (Canada / USA) (note **)	84"	84"	84"	84"	84"	84"	84"	84"
With double wall pipe	(Canada/US)	(Canada/US)	(Canada/US)	(Canada/US)	(Canada/US)	(Canada/US)	(Canada/US)	(Canada/US)
A- Back	10 7/10"	12 7/12"	12 7/12"	6 7/6"	6 7/6"	6 7/6"	6 7/6"	10 7/10"
B- Side	18 7/18"	16 7/16"	16 7/16"	11 7/11"	17 7/17"	14 7/14"	12 7/12"	14 7/14"
C- Corner	10 7/10"	6 7/6"	6 7/6"	5 7/5"	5 7/5"	6 7/6"	6 7/6"	8 7/8"
D- Ceiling (Canada / USA) (note **)	84"	84"	84"	84"	84"	84"	84"	84"
Minimum floor protection in front of unit	18 7/16"	18 7/16"	18 7/16"	18 7/16"	18 7/16"	18 7/16"	18 7/16"	18 7/16"
Options and required accessories								
Blower	Optional	Optional	Optional	Optional	Optional	Included	Optional	Included
Blower thermostat	Included with blower	Included with blower	Included with blower	Included with blower	Included with blower	Included with blower	Included with blower	Optional
Top air mate	Optional	Optional	N/A	Optional	Optional	N/A	Optional	Included
Fresh air intake kit (5" Diameter)	Optional	Optional	Optional	Optional	Optional	Included	Optional	N/A
Fire screen	Optional	Optional	N/A	N/A	Optional	Optional	N/A	N/A
Pedestal or leg kits								
Pedestal kit with ash drawer	Optional, without drawer	Optional	N/A	Optional	Optional	N/A	Optional	Included
Black steel legs with ash drawer	Optional, without drawer	Optional	N/A	N/A	N/A	N/A	Optional	N/A
Black cast iron legs with ash drawer	N/A	N/A	N/A	Optional	Optional	N/A	Optional	N/A
Brushed nickel plated legs with ash drawer	N/A	N/A	N/A	Optional	Optional	N/A	Optional	N/A
Door finish								
Black cast iron overlay	Optional	Optional	N/A	Optional	Optional	N/A	Optional	Optional
Brushed nickel plated overlay	Optional	Optional	N/A	Optional	Optional	N/A	Optional	Optional
Side panels								
Black decorative side kit	N/A	N/A	Optional	N/A	N/A	Optional	N/A	N/A
Brushed stainless steel finish decorative side kit	N/A	N/A	Optional	N/A	N/A	Optional	N/A	N/A
Red decorative side kit	N/A	N/A	Optional	N/A	N/A	N/A	N/A	N/A

Figure 1

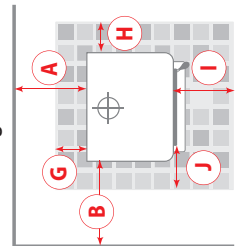


Figure 2

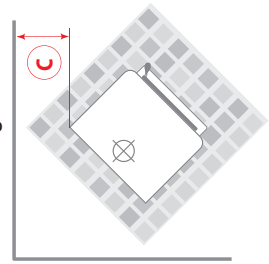
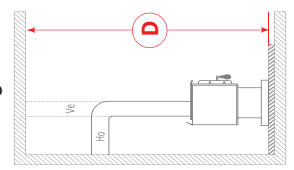


Figure 3



	FLOOR PROTECTOR †	
	CANADA	USA
G	8" – Note †	N/A (Canada only)
H	8"	N/A (Canada only)
I	18" From door opening	16" From door opening
J	N/A (USA only)	8" From door opening

† Steel with a minimum thickness of 0.015" (0.38 mm) or ceramic tiles sealed together with grout. No protection is required if the unit is installed on a non-combustible floor (ex. concrete).
 ‡ The floor protection at the back of the stove is limited to the stove's required clearance if such clearance is smaller than 8 inches (203 mm).

Note 1: Recommended heating area and maximum burn time may vary subject to location in home, chimney draft, heat loss factors, climate, fuel type and other variables. The recommended heated area for a given appliance is defined by the manufacturer as its capacity to maintain a minimum acceptable temperature in the designated area in case of a power failure.
 * Consult local code for minimum clearances of the single wall pipe itself to combustible materials. See also the venting manufacturer's instructions. Technical data contained in this brochure are for reference only. Any installation must be done according to the data and drawings detailed in the Owner's manual.
 ** Measured from the base of the appliance. Some appliances have been tested with a low ceiling. If necessary, consult the owner's manual for information on these clearances to combustible materials.



With bottom faceplate kit with blower

With bottom faceplate kit without blower

PAPYRUS
Fireplace tool sets
See page 27

WOOD INSERT

DESTINATION 1.5-I

EPA
≤ 4.5 g/h

EB00018

A modern and ecological wood insert, is it possible? With the **Destination 1.5-I**, dreams come true! This unit's combustion chamber of 1.5 cubic-feet offers a maximum output of 65,000 BTU/h and one of the lowest emission rates at 2.6 g/h. The Destination 1.5 will allow you to admire the fire in the comfort of your living room thanks to its panoramic, clean face. An optional 120 CFM blower is available to maximize the heating performance of this contemporary insert. When installed without the blower, this appliance can be inserted in a masonry opening of only 20" high.

◆ REQUIRED ACCESSORIES

Bottom faceplate kit with blower
or without blower

◆ OPTION

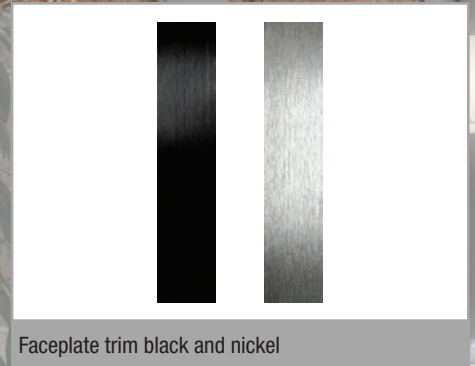
29"H x 44"W backing plate
(may be cut to 26"H)

FEATURES*

- Recommended heating area: 500 to 1700 sq. ft.
- Firebox volume: 1.5 cu. ft.
- BTU/h, EPA test wood: 26,525
- BTU/h, seasoned cord wood: 65,000
- Exterior dimensions with blower (with faceplate): 33 3/8"W x 17 3/4"D x 25 1/8"H
- Exterior dimensions without blower (with faceplate): 33 3/8"W x 17 1/2"D x 22"H
- Exterior dimensions with blower (without faceplate): 28 1/2"W x 14 5/8"D x 23 1/8"H
- Exterior dimensions without blower (without faceplate): 28 1/2"W x 14 1/2"D x 20"H
- Maximum log length: 19 1/2"

* See complete technical data on pages 18 and 19.

With black door and black faceplate trims



Faceplate trim black and nickel



WOOD INSERT

SOLUTION 1.8-I

EB00005

The **Solution 1.8-I insert**, as its name suggests, was developed from the same liner as Solution 1.8. The superior quality combustion and several other features are identical to its free-standing namesake. Solution 1.8-I comes standard with a powerful, heat-activated 120 CFM fan strategically positioned to redistribute the heat from the firebox into the room. It is designed to fit a face plate that can cover a masonry hearth up to 32 inches (81 cm) high and 50 inches (127 cm) wide. The door overlay can be matched to the face plate trims, which are available in black and nickel.



FEATURES *

- Recommended heating area: 500 to 1,800 sq. ft.
- Firebox volume: 1.8 cu. ft.
- BTU/h, EPA test wood: 34,000
- BTU/h, seasoned cord wood: 65,000
- Exterior dimensions: 28 3/8"W x 23 5/8"D x 21"H
- Maximum log length: 20"
- Minimum hearth dimensions (masonry opening): 28 7/8"W x 13 1/8"D x 21 1/4"H
- Premium quality 120 CFM blower with variable speed control: Yes

* See complete technical data on pages 18 and 19.

◆ REQUIRED ACCESSORIES

- Cast iron door overlay painted black or brushed nickel plated
- Regular faceplate (29"H x 44"W) or large faceplate (32"H x 50"W)
- Faceplate trim kit (black or nickel)

◆ OPTION

- Fresh air intake kit (5" oval)



With brushed nickel door and nickel faceplate trims

Faceplate trim black and nickel

WOOD INSERT

SOLUTION 2.3-I

EB00013



The **Solution 2.3-I insert** uses the same stove line as the Solution 2.3, and the two share the same high quality combustion properties and many of the same features. Solution 2.3-I comes with a standard high-power, heat-activated 120 CFM fan strategically positioned to redistribute the heat from the firebox into the room. It is designed to fit a face plate that can cover a masonry hearth up to 32 inches (81 cm) high and 50 inches (127 cm) wide. The door overlay can be matched to the face plate trims, which are available in black and nickel.

◆ REQUIRED ACCESSORIES

Faceplate trim kit (black or nickel)

Cast iron door overlay black or brushed nickel plated

Regular faceplate (29"H x 44"W) or large faceplate (32"H x 50"W)

◆ OPTIONS

Fire screen

Fresh air intake kit (5" oval)

Heat shield for mantle shelf and combustible top surround

Cutttable faceplate (32"H x 50"W)

FEATURES*

- Recommended heating area: 750 to 2,100 sq. ft.
- Firebox volume: 2.3 cu. ft.
- BTU/h, EPA test wood: 32,200
- BTU/h, seasoned cord wood: 75,000
- Exterior dimensions: 28 3/8"W x 26 3/4"D x 23"H
- Maximum log length: 20"
- Minimum hearth dimensions (masonry opening): 28 7/8"W x 15 3/4"D x 23 5/16"H
- Premium quality 120 CFM blower with variable speed control: Yes

* See complete technical data on pages 18 and 19.



With projection kit

INEO
Fireplace tool sets
See page 27



With cast iron faceplate

WOOD INSERT

DESTINATION 2.3-I

EB00021

The **Destination 2.3-I insert** is really a blend of technological improvement and design advancement. It first started with the choice of cast iron as the material of choice for the smooth, contemporary surround. The faceplate was then developed to allow a flush finish with the masonry fireplace. Insertion into larger openings is facilitated by the installation of an optional sheet metal backing that conveniently attaches to the cast iron faceplate. Maintenance of electrical components was made easy with the conception of a slick, drawer-like system to which the blower assembly attaches. The blower assembly (110 CFM) is equipped with a heat sensor and a switch that can be set to automatic, manual or OFF position.

FEATURES *

- Recommended heating area: 750 to 2100 sq. ft.
- Firebox volume: 2.3 cu. ft.
- BTU/h, EPA test wood: 32,200
- BTU/h, seasoned cord wood: 75,000
- Exterior dimensions (without faceplate): 28 3/8"W x 22 7/8"D x 23 3/8"H
- Exterior dimensions (faceplate included): 36"W x 22 7/8"D x 25 1/8"H
- Maximum log length: 20"
- Minimum hearth dimensions (masonry opening): 28 7/8"W x 19 5/8"D x 23 3/4"H
- Premium quality 110 CFM blower: Yes
- Reversible door: Yes

* See complete technical data on pages 18 and 19.

EPA
≤ 4.5 g/h

◆ OPTIONS

- Bottom faceplate backing plate panels
6"H x 44"W or 6"H x 50"W
- Faceplate backing plate panels
29"H x 44"W or 29"H x 50"W
- Fresh air intake kit (5" Oval)
- Projection kit 2" or 4"
*Requires the optional faceplate backing plate
for installation.*
- Fire screen

TECHNICAL DATA

General features ♦ WOOD INSERTS



Modèles	Destination 1.5-l	Solution 1.8-l	Solution 2.3-l	Destination 2.3-l
Color	Metallic black	Metallic black	Metallic black	Metallic black
Maximum burn time (see note 1)	5 to 6 hours	5 to 6 hours	6 to 8 hours	6 to 8 hours
Combustion technology	Non-catalytic	Non-catalytic	Non-catalytic	Non-catalytic
Recommended heating area (see note 1)	500 à 1 700 sq. ft.	500 à 1 800 sq. ft.	500 à 2 100 sq. ft.	750 à 2 100 sq. ft.
Maximum BTU/h EPA test wood	26 525	34 000	32 200	32 200
Maximum BTU/h - Seasoned cordwood	65 000	65 000	75 000	75 000
Average particulate emissions rate	2.56 g/h	4.3 g/h	3.85 g/h	3.89 g/h
Optimum efficiency	70.4%	75%	77.2%	77.2%
Door opening dimensions (W x H)	19" x 7 1/2"	17 1/2" x 7 7/8"	17 1/2" x 9"	17 1/2" x 8 3/4"
Firebox dimensions (W x D)	20 1/2" x 12 3/4"	21" x 13 3/4"	21" x 16 1/2"	21" x 16 1/2"
Firebox volume	1.5 cu. ft.	1.8 cu. ft.	2.3 cu. ft.	2.3 cu. ft.
Glass viewing area (W x H)	19" x 7 7/8"	16 1/4" x 8 3/4"	16 1/4" x 8 3/4"	18" x 11 7/8"
Door type - Glass with cast iron frame	Steel frame	Yes	Yes	Yes
Maximum log length	19 1/2"	20"	20"	20"
Flue spigot diameter	6"	6"	6"	6"
Type of glass	Ceramic glass	Ceramic glass	Ceramic glass	Ceramic glass
Warranty	Limited lifetime			
Test standard - Emissions / efficiency	EPA / CSA B415.1			
Test standard - Safety	As per ULC S628, UL 1482, UL 737, NFPA 211, CSA B365 applicable in Canada and in the USA			

Note 1: Recommended heating area and maximum burn time may vary subject to location in home, chimney draft, heat loss factors, climate, fuel type and other variables. The recommended heated area for a given appliance is defined by the manufacturer as its capacity to maintain a minimum acceptable temperature in the designated area in case of a power failure.

Technical data contained in this brochure are for reference only. Any installation must be done according to the data and drawings detailed in the Owner's manual.

TECHNICAL DATA

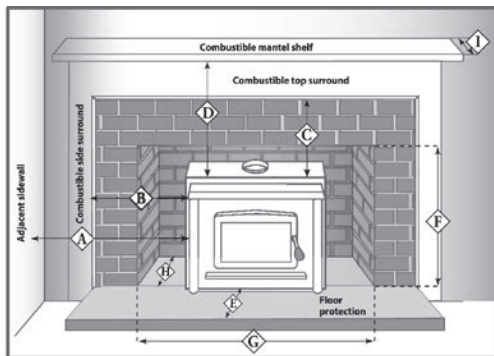
Specific features ♦ WOOD INSERTS



Models	Destination 1.5-I	Solution 1.8-I	Solution 2.3-I	Destination 2.3-I
Exterior dimensions and weight	without blower with blower			
Height (without faceplate)	20"	23 1/8"	21"	23"
Width (without faceplate)	28 1/2"	28 1/2"	28 3/8"	28 3/8"
Depth (without faceplate)	17 1/2"	17 3/4"	23 5/8"	26 3/4"
Weight	287 lb (130 Kg)	322 lb (146 Kg)	359 lb (163 Kg)	430 lb (195 Kg)
Clearances from unit to combustible materials (figure 1, below)	(Canada/US)	(Canada/US)	(Canada/US)	(Canada/US)
A- Adjacent sidewall	25"	13"	16"	16"
B- Combustible side surround	5 1/2"	10"	12"	12"
C- Combustible top surround	13 1/2"	22"	20"	20"
Reduced clearance with heat shield for top surround	N/A	N/A	11"	N/A
D- Combustible mantle shelf	13 1/2"	29"	22"	22"
Reduced clearance with heat shield for mantle shelf	N/A	N/A	N/A	N/A
E- Minimum floor protection in front of unit	22" / 22"	18" / 16"	18" / 16"	18" / 16"
F,G,H - Minimum fireplace opening with blower (Height x Width x Depth)	23 5/8" x 29" x 14 1/2"	21 1/4" x 28 7/8" x 13 1/8"	23 5/16" x 28 7/8" x 15 3/4"	23 3/4" x 28 7/8" x 19 5/8"
F,G,H - Minimum fireplace opening without blower (Height x Width x Depth)**	20" x 29" x 14 1/2"	N/A	N/A	N/A
I- Maximum projection of shelf	N/A	N/A	N/A	N/A
Projection in the room, minimum / maximum	N/A	7 3/4" / 9 3/4"	8 3/4" / 10 3/4"	2" or 4"
Options and required accessories				
Fire screen	N/A	N/A	N/A	Optional
Fresh air intake kit	N/A	Optional	Optional	Optional
Black faceplate trim kit	N/A	Optional	Optional	N/A
Nickel faceplate trim kit	N/A </td <td>Optional</td> <td>Optional</td> <td>N/A</td>	Optional	Optional	N/A
Black cast iron door overlay	N/A	Optional	Optional	N/A
Brushed nickel plated cast iron door overlay	N/A	Optional	Optional	N/A
Bottom faceplate kit with blower	Optional	N/A	N/A	N/A
Bottom faceplate kit without blower	Optional	N/A	N/A	N/A
Faceplate sizes				
Regular (29"H x 44"W)	N/A	Optional	Optional	N/A
Large (32"H x 50"W)	N/A	Optional	Optional	N/A
Cuttable faceplate (30"H x 50"W)	N/A	N/A	Optional	N/A
Bottom faceplate backing plate panels (6"H x 44"W or 6"H x 50"W)	N/A	N/A	N/A	Optional
Faceplate backing plate panels (29"H x 44"W or 29"H x 50"W)	N/A	N/A	N/A	Optional
Projection kit (2" or 4")	N/A	N/A	N/A	Optional
Backing plate (29"H x 44"W) (may be cut to 26"H)	Optional	N/A	N/A	N/A

* The depth of the fireplace opening can be reduced to 18 5/8" or 16 5/8" using the optional projection kit AC01323, sold separately. Note however that in order to install the optional projection kit AC01323, one of the optional faceplate backing plate kit AC01322 or AC01332 must be purchased separately to secure the projection kit to it.

Figure 1



♦ From door opening

** The minimum fireplace opening for an application without blower, cannot eventually receive the optional bottom faceplate kit with blower due to a lack of height.

Technical data & sizes contained in this brochure are for reference only. Any installation must be done according to the data and drawings detailed in the Owner's manual



Door painted black, and brushed nickel plated



With black doors and brushed nickel louver kit



With brushed nickel doors and rustic-style cast iron louver

TORSADE
Fireplace tool sets
See page 27



ZERO CLEARANCE WOOD FIREPLACE

SOLUTION 2.5-ZC # EB00016



Fireplaces have long graced our living rooms or family rooms. Thousands of styles have been created over the past 30 years alone but how have they done in terms of performance and efficiency? A quick look at the facts will show that the **Solution 2.5-ZC** is a member of the new generation of wood fireplaces that clearly set themselves apart from other decorative fireplaces. This slow-combustion fireplace has been developed to provide heating with superb efficiency. Further to offering a stylish look, the Solution 2.5-ZC meets the EPA particulate emissions standard, which makes it the fireplace of choice for the new generation of consumers who want to use wood as a renewable and clean source of heating.

◆ REQUIRED ACCESSORIES

- Cast iron door overlay kit painted black or brushed nickel plated
- Black painted rustic style cast iron top louver
- Steel top louver kit painted black or brushed nickel plated

FEATURES*

- Recommended heating area: 750 to 2,100 sq. ft.
- Firebox volume: 2.5 cu. ft.
- BTU/h, EPA test wood: 30,450
- BTU/h, seasoned cord: 75,000

* See complete technical data on page 22.

◆ OPTIONS

- Hot Air Gravity Distribution Kit - traditional or modern style
- Forced Air Distribution Kit - 6" 6" insulated flex duct for forced air distribution kit (25 feet)
- Fire screen
- Fresh air intake kit (3" Diameter)
- 3" insulated flex duct for fresh air intake kit (10 feet)

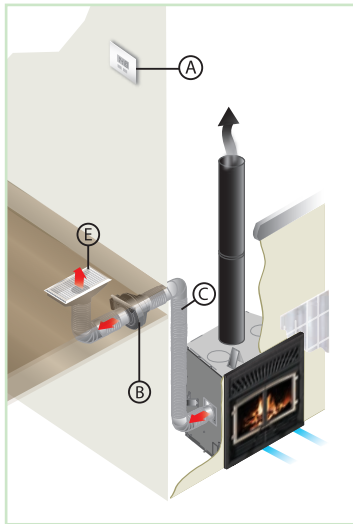
FEATURES* (Continuation)

- ▶ Exterior dimensions: 36 3/4"W x 29 1/2"D x 43 1/4"H
- ▶ Maximum log length: 21"
- ▶ Twin premium quality heat activated 120 CFM blower: Yes

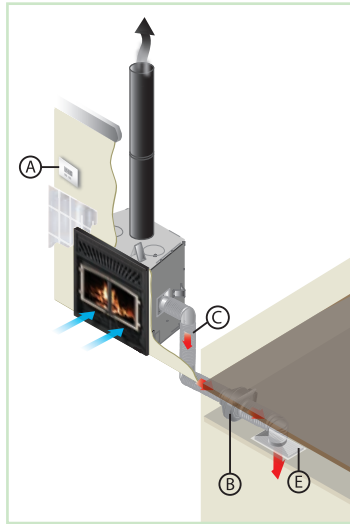
* See complete technical data on page 22.

IT'S NOW TIME TO MANAGE HEAT DISTRIBUTION!

EPA certified wood fireplaces generate a lot of heat. For the most part, they generate too much for the room where they are located. Therefore, you need to manage the excess heat and send it where it is needed. To provide a solution, our research and development laboratory has designed the Heat Management System, an innovative technology that allows the recovery of the heat produced during combustion and redirects it into distribution ducts to heat other areas in your home.



Forced Air Distribution Kit

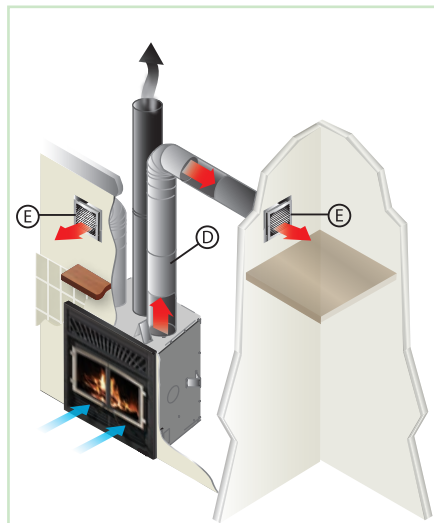


Forced Air Distribution Kit

This system allows you to manage the heat distribution automatically. Using a wall thermostat, you can select the temperature you want to maintain in the room where the fireplace is located. Once the thermostat is satisfied, the excess heat is redirected to another room up to 50 feet (15 m) away from the fireplace using a 300 CFM blower. That way, you can enjoy a nice fire in your living room without the discomfort of excess heat generated by your Enerzone fireplace.

The system can also be used to supplement heat in a room remote from the fireplace. For this type of application, the thermostat needs to be positioned in the desired room and programmed with the temperature to be maintained. The system, now in "heat mode", will activate the blower as long as the temperature in the remote room is not achieved and that the fireplace has enough heat to distribute.

Enerzone also offers you another way to distribute excess heat into your home with the help of a Hot Air Gravity Distribution Kit.



Hot Air Gravity Distribution Kit

Hot Air Gravity Distribution Kit

The Hot air gravity kit allows you to bring hot air into the same room as the fireplace, in adjacent rooms, or up-stairs at a maximum distance of 10' (3 m). The minimum height of the hot air duct must be 68" (1.7 m) measured from the floor to the top of the hot air register.

For more details about the installation requirements of the Forced Air Distribution Kit or the Hot Air Gravity Distribution Kit, visit www.enerzone-intl.com/en/service-support/heat-distribution-system.

Suggested installation: A) Wall thermostat B) 300 CFM blower C) Hot air flexible pipe D) Hot air rigid pipe E) Air register. The information contained in this page is for information purposes only. For a detailed part list of kits content, please refer to the owner's manuals.

Specific features ♦ ZERO CLEARANCE WOOD FIREPLACE

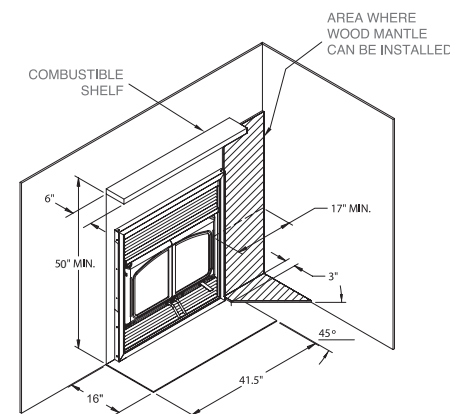
Models	Solution 2.5-ZC
Color	Metallic black
Maximum burn time *	8 to 9 hours
Combustion technology	Non-Catalytic
Maximum recommended heating area *	750 to 2,100 sq. ft
Heating capacity - BTU/h, EPA test wood	30,450
Heating capacity - BTU/h, seasoned cord wood	75,000
Average particulate emissions rate	4.4 g/h
Optimum efficiency	77%
Door opening dimensions (W x H)	25 1/2" x 10 5/8"
Firebox dimensions (W x D), behind andiron	20 1/2" x 12 7/8"
Firebox volume (excluding andiron)	2.5 cu. ft
Glass viewing area (W x H)	22 1/4" x 12 5/8"
Door frame	Double door with cast iron frame
Maximum log length	21"
Log positioning	East / West
Flue spigot diameter	6"
Minimum chimney height (from the base of fireplace)	15"
Glass type	Ceramic glass
Warranty	Lifetime, limited
Test standard - Emissions	EPA / CSA B415.1
Test standard - Safety	As per ULC S610, UL 127, NFPA 211 et CSA B365, applicable in Canada and in the USA
Exterior dimensions and weight	
Width	36 3/4"
Depth	26 1/2"
Height	43 1/4"
Weight	456 lb (207 kg)
Clearances to combustible materials* (See drawing below)	
Side wall	17"
Back wall	0"
Sides	0"
Floor	0"
Ceiling	80"
Shelf (from the base of fireplace)	50"
Side mantle	0"
Non-combustible surround (top)	0"
Non-combustible surround (sides)	0"
Options and required accessories	
3" adapter for fresh air kit	Optional
Rustic style painted black cast iron top louver	Optional
Top louver; painted black or brushed nickel plated	Optional
Hot Air Gravity Distribution Kit (see page 20)	Optional
Forced Air Distribution Kit (6") (see page 20)	Optional
Fire screen door	Optional
Door overlay; painted black or brushed nickel plated	Optional
3" (10') and 6" (25') insulated flex duct	Optional



* Recommended heating area and maximum burn time may vary subject to location in home, chimney draft, heat loss factors, climate, fuel type and other variables. The recommended heated area for a given appliance is defined by the manufacturer as its capacity to maintain a minimum acceptable temperature in the designated area in case of a power failure.

Note 1: Specific components may be required depending on the chimney manufacturer.

Technical data contained in this brochure are for reference only. Any installation must be done according to the data and drawings detailed in the Owner's manual.



Listed chimneys, manufacturers, brands and types (see note 1): Solution 2.5-ZC zero clearance wood fireplace

MANUFACTURERS	BRANDS	TYPES	INNER DIAMETER
Selkirk	Ultra-Temp (UT)	1" Solid Pack	6"
Selkirk	Super Pro (SPR)	1" Solid Pack	6"
Selkirk	Super Vent (JSC)	1" Solid Pack	6"
Selkirk	Hart & Cooley (TLC)	1" Solid Pack	6"
Selkirk	Sure-Temp (ST)	1" Solid Pack	6"
Selkirk	CF Sentinel (CF)	2" Solid Pack	6"
Selkirk	Super Pro 2100 (ALT)	2" Solid Pack	6"
Selkirk	Super Vent 2100 (JM)	2" Solid Pack	6"
Selkirk	UltimateOne	1" Solid Pack	6"
Security Chimney	ASHT+	1" Solid Pack	6" or 7"
Security Chimney	S-2100 +	2" Solid Pack	6" or 7"
Simpson Dura Vent	Dura Tech	1" Solid Pack	6"
Simpson Dura Vent	Dura Plus HTC	2" Solid Pack	6"
Simpson Dura Vent	Dura Plus	AC Triple Wall	6"
ICC	Excel 2100	1" Solid Pack	6"
Metal Fab	Temp Guard	1" Solid Pack	6"
American Metal	HSS	AC Triple Wall	6"
American Metal	HS	AC Triple Wall	6"
Olympia Chimney	Ventis	1" Solid Pack	6"
FMI (USA only)	AC	AC Triple Wall	6"



With enameled creme panels



With enameled black panels



With enameled red panel and brushed nickel plated door

PELLET STOVE

EUROSTAR

EP00055

Modern, powerful, but nevertheless compact, the **Eurostar** offers a bottom-feed technology that guaranties you flexibility in the brand of fuel you choose. The touch-screen control panel provides infinite possibilities while keeping the operation surprisingly simple. Side shields are offered in both metallic black and enameled colors. They are sure to add a contemporary touch to any decor. With its powerful convection blower, the EuroStar will impress you by its capacity to align the need for heat with the desire to create a modern and stylish setting.

FEATURES *

- Recommended heating area: 750 to 2,400 sq. ft.
- Heating capacity: 50,000
- Exterior dimensions: 24 1/4"W x 33 3/4"D x 36 3/8"H
- Hopper capacity: 70 lb
- Ash drawer: Yes
- Electronic igniter: Yes
- LCD touch screen control: Yes
- Thermostatic or manual mode options: Yes
- Mobile home approved: Yes

* See complete technical data on pages 25 and 26.



◆ REQUIRED ACCESSORIES

- Cast iron door overlay painted black or brushed nickel plated
- Black painted side panels kit
- Red or creme enameled side panels kit

◆ OPTIONS

- Fresh air intake kit (3" Diameter)
- 3" insulated flex duct for fresh air intake kit (10 feet)
- Remote control
- Digital wall thermostat



With black door and hot air distribution kit



With brushed nickel door

PELLET STOVE

EUROMAX

EB00070



The **Euromax** is as close as you can get to a pellet furnace. It is equipped with a 125-pound hopper. Its state-of-the-art LCD control lets you choose between various settings with the touch of a finger. The bottom feed technology used inside the Euromax minimizes burn pot maintenance while allowing a more complete and efficient combustion. Affordable, intelligent, stylish and clean...This is heating in the 21st Century.

◆ REQUIRED ACCESSORIES

Cast iron door overlay black or brushed nickel plated

◆ OPTIONS

Fresh air intake kit (3" Diameter)
3" insulated flex duct for fresh air intake kit (10 feet)

Remote control
Hot air distribution kit

FEATURES*

- Recommended heating area: 2,800 sq. ft.
- Heating capacity: 70,000 BTU
- Exterior dimensions: 24 5/8"W x 37"D x 41 1/4"H
- Hopper capacity: 125 lb
- Ash drawer: Yes
- Electronic igniter: Yes
- Thermostatic or manual mode options: Yes
- Mobile home approved: Yes

* See complete technical data on pages 25 and 26.

TECHNICAL DATA

General features ♦ PELLET STOVES



Models	Eurostar	Euromax
Color	Metallic black	Metallic black
Maximum burn time *	40 hours*	92 hours*
Recommended heating area *	2,400 sq. ft.	2,800 sq. ft.
BTU/H maximum	50,000	70,000
BTU/H minimum	8,500	10,500
Loading capacity	70 lb (32 Kg)	125 lb (57 Kg)
Choice of thermostatic or manual mode	Yes	Yes
Combustion technology	Bottom feed	Bottom feed
Number of intensity levels	Variable	6
Electronic igniter	Yes	Yes
Glass viewing area (W x H)	14" x 8 1/2"	14" x 8 1/2"
Approved vent diameter	3" or 4" (as per EVL)	4"
Glass type	Ceramic glass	Ceramic glass
Ash drawer	Yes	Yes
Mobile home approved (see note 2)	Yes	Yes
Warranty	Limited lifetime	Limited lifetime
Average particulate emissions rate	2,18 g/h	2,45 g/h
Optimum efficiency	78%	79.9%
Noise level at six feet (min / max)	47 dB / 52 dB (+/- 3 dB)	52 dB / 61 dB (+/- 3 dB)
Test standard - Emissions / efficiency	EPA / CSA B415.1	
Test standard - Safety	As per ULC S627, CSA B365, ASTM E1509, UL 1482, NFPA 211, applicable in Canada and in the USA	

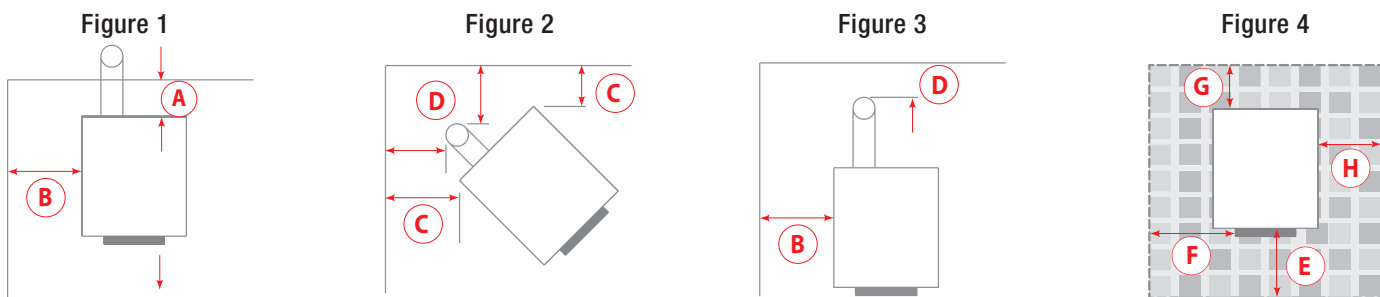
* Recommended heating area and maximum burn time may vary subject to location in home, chimney draft, heat loss factors, climate, fuel type, feed rate, fuel level, and other variables. The recommended heated area for a given appliance is defined by the manufacturer as its capacity to maintain a minimum acceptable temperature considering that the space configuration and the presence of heat distribution systems have a significant impact in making heat circulation optimum.

Note 2: Fresh air intake kit required.

Technical data contained in this brochure are for reference only. Any installation must be done according to the data and drawings detailed in the Owner's manual.

Specific features ♦ PELLET STOVES

Models	Eurostar	Euromax
Exterior dimensions and weight		
Width	24 1/4"	24 5/8"
Depth	33 3/4"	37"
Height	36 3/8"	41 1/4"
Weight	433 lb (196 Kg)	463 lb (210 Kg)
Clearances from unit to combustible materials (figures 1, 2, 3 and 4)		
A- Back wall	3"	3"
B- Sides	4"	6"
C- Corners	3"	3"
Minimum floor protection in front of unit	18"/6" (CAN/US)	18"/6" (CAN/US)
Options and required accessories		
Door overlay		
Black door overlay	Optional	Optional
24K gold plated door overlay	N/A	N/A
Brushed nickel plated door overlay	Optional	Optional
Heat distribution louver		
Black louver	Included	Included
24K gold plated louver	N/A	N/A
Brushed nickel plated louver	N/A	N/A
Side panels		
Black painted side panels kit	Optional	N/A
Creme enameled side panels kit	Optional	N/A
Red enameled side panels kit	Optional	N/A
Other		
Decorative log set	N/A	N/A
Decorative masonry-like panels	N/A	N/A
Fresh air intake kit (3" Diameter)	Optional	Optional
Fresh air intake kit (4" Diameter)	N/A	N/A
Sealing box for fresh air kit	N/A	Included
Remote control	Optional	Optional
Hot air distribution kit	N/A	Optional
Digital wall thermostat	Optional	Optional
3" insulated flex duct for fresh air intake kit (10 feet)	Optional	Optional



CLEARANCES TO COMBUSTIBLE MATERIALS*		
	CANADA	USA
A**	1"	1"
B	4"	4"
C	1"	1"
D	Refer to vent manufacturer's clearances	Refer to vent manufacturer's clearances
FLOOR PROTECTION		
E	18"	6"
F	N/A (USA only)	6"
G	8"	N/A (Canada only)
H	8"	N/A (Canada only)

CAUTION:

THE STOVE MUST BE PLACED ON A CONTINUOUS (GROUTED JOINTS) NON COMBUSTIBLE MATERIAL SUCH AS CERAMIC TILE***, CEMENT BOARD, BRICK, MILLBOARD OR EQUIVALENT, OR ANY OTHER APPROVED OR LISTED MATERIAL SUITED FOR FLOOR PROTECTION.

* We recommend leaving 24" on each side of the stove and 12" at the back of the stove in order to facilitate access for maintenance.

** From the fresh air intake.

*** Any type of tile will require a continuous non combustible sheet beneath to prevent the possibility of embers falling through to the combustible floor if cracks or separation should occur in the finished surface, this would include floor protection for built-in raised hearths. Check local codes for approved alternatives.

Technical data contained in this brochure are for reference only. Any installation must be done according to the data and drawings detailed in the Owner's manual.

FIREPLACE TOOL SETS



DUPLEX

AC02620
page 6

This distinctive hearth tool set contains four instruments: poker, broom, shovel and clamp. The clean lines and combination of steel and wood construction make a strong contemporary design statement. Height of accessories: 19 1/2" (50 cm). Made in France with exceptional craftsmanship.



INEO

AC02621
page 17

This distinctive hearth tool set contains four instruments: poker, broom, shovel and clamp. The clean lines and simplicity make a strong contemporary design statement. Height of accessories: 19 1/2" (50 cm). Made in France with exceptional craftsmanship.



PAPYRUS

AC02622
page 14

This distinctive hearth tool set contains four instruments: poker, broom, shovel and clamp. The dramatic use of steel makes a strong contemporary design statement. Height of accessories: 19 1/2" (50 cm). Base diameter: 7 1/2" (19 cm). Made in France with exceptional craftsmanship.



TORSADE

AC02623
page 20

This distinctive hearth tool set contains four instruments: poker, broom, shovel and clamp – all the tools needed to operate and maintain your wood-burning stove or fireplace. The elegant curved steel makes a strong contemporary design statement. Height of stand: 22 1/2" (57 cm). Base diameter: 7 1/2" (19 cm). Made in France with exceptional craftsmanship.



ABRIK

AC02624
page 27

This distinctive hearth tool set contains four instruments: poker, broom, shovel and clamp – all the tools needed to operate and maintain your wood-burning stove or fireplace. The clean lines and the geometric sides and base make a strong contemporary design statement. Height of stand: 22 1/2" (57 cm). Dimensions of square base: 7" (18 cm) X 7" (18 cm). Made in France with exceptional craftsmanship.



SILHOUETTE

AC02625
page 9

This distinctive hearth tool set contains four instruments: poker, broom, shovel and clamp – all the tools needed to operate and maintain your wood-burning stove or fireplace. The simple yet dramatic shape, along with stainless steel handles, make a strong contemporary design statement. Height of stand: 22 1/2" (55 cm); Length: 13 1/4" (34 cm); Depth: 6" (15 cm). Made in France with exceptional craftsmanship.



FUSIO LOG HOLDER

AC02627
page 7

This distinctive log holder combines steel and beech wood, and can be set in two positions. Its curved shape makes a strong contemporary design statement. Make your life simpler by fueling your fire without ever being caught unprepared. Height: 22 1/2" (55 cm); Length: 18 1/2" (47 cm); Depth: 22 1/2" (55 cm). Weight: 17 1/2 lb (8 kg). Made in France with exceptional craftsmanship.



EQUISS LOG HOLDER

AC02350
page 5

This compact and robust log holder is entirely manufactured in Canada and made of high quality steel. Its integrated handles make handling easier. The assembly is done in seconds; simply intersect the two panels and voila! A cuttable rubber band is also available to provide protection for the floor surface and to give it a finishing touch. Once the heating season is over, this free standing log holder is easy to take apart and will not clutter your living space. Height: 15 1/4" (38 cm); Length: 24 1/4" (61 cm); Depth: 13" (33 cm). Weight: 28 1/2 lb (13 kg).

WHY CHOOSE ENERZONE?

BEST WARRANTY IN CLASS LIFETIME

Welds (combustion chamber)	LIFETIME
Ceramic glass	LIFETIME
Secondary burn tubes	LIFETIME
Plating	LIFETIME

RUGGED

Steel up to 5/16" thick!
Yes, you are buying value and peace of mind.

DOOR OVERLAY

That's slick... Update the look of your stove without changing the whole door!

DOOR LATCH

Easily adjustable, insuring a close and air-tight fit every time.

AIR WASH SYSTEM

With all Enerzone wood-heating solutions, your glass stays clean. Enjoy the view!



MADE HERE

Produced in North America using the latest equipment. Guaranteed to meet your expectations.

EFFICIENT & CLEAN

Fewer particles into the atmosphere, longer burn times, and less heat loss through the flue.

Optimum efficiency of 75% or more EPA rating on all models.

BAFFLE

Made of revolutionary C-Cast™ material.

Easily removable and proven to last.

FIREBRICK

Not the light stuff!

This is heavy-duty firebox protection.

MORE THAN JUST A HEATING SOLUTION • www.enerzone-intl.com

HEAD OFFICE

250 De Copenhague
St-Augustin-de-Desmaures (Quebec)
G3A 2H3, Canada
Phone: 1-418-878-3040
Fax: 1-418-878-3001



The most efficient glass solution available in the market given its high IR transmission values and its high temperature resistance. A high IR transmission means that the heat produced inside the firebox is transferred through the glass more efficiently. The ENERZONE-SCHOTT ROBAX ceramic glass can withstand the highest temperatures of any glass on the market.

PUB048A



03-2016