



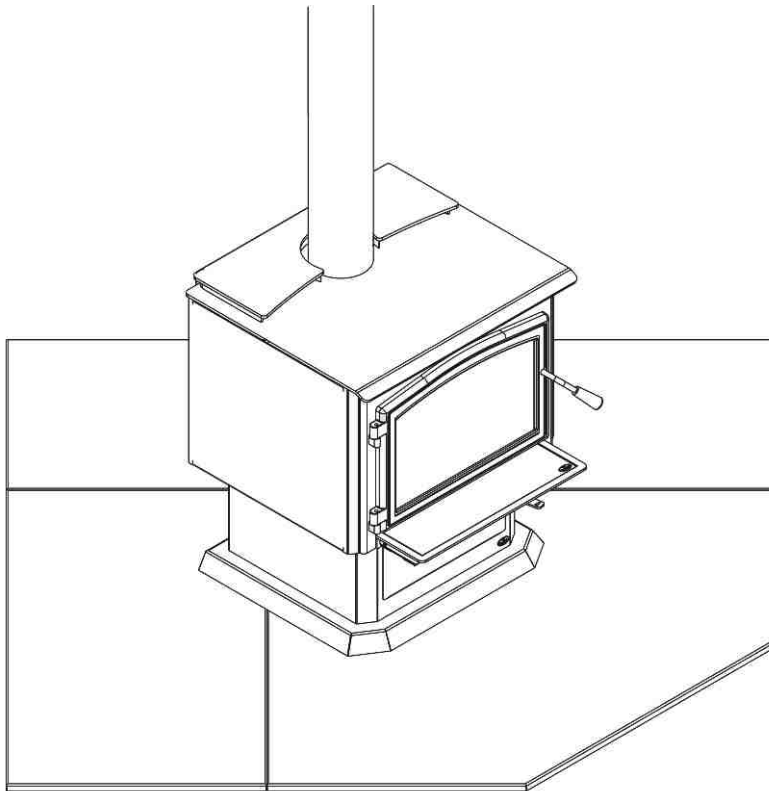
CORNER MODULAR FLOOR PROTECTION SYSTEM

AC02786-AC02787

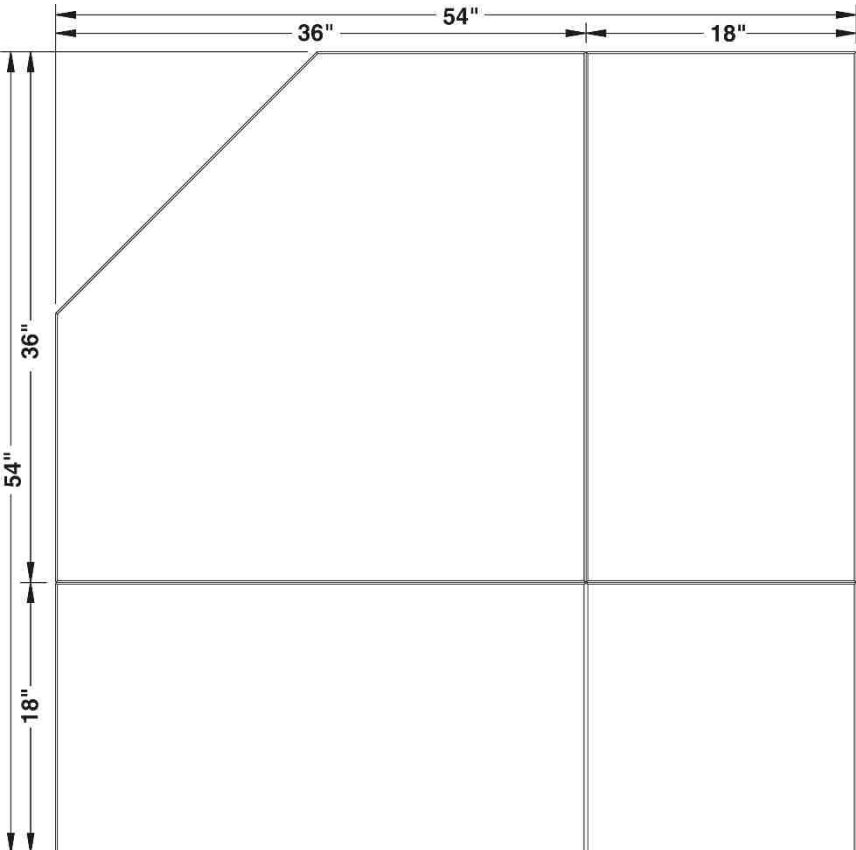
(54" x 54")

(60" x 60")

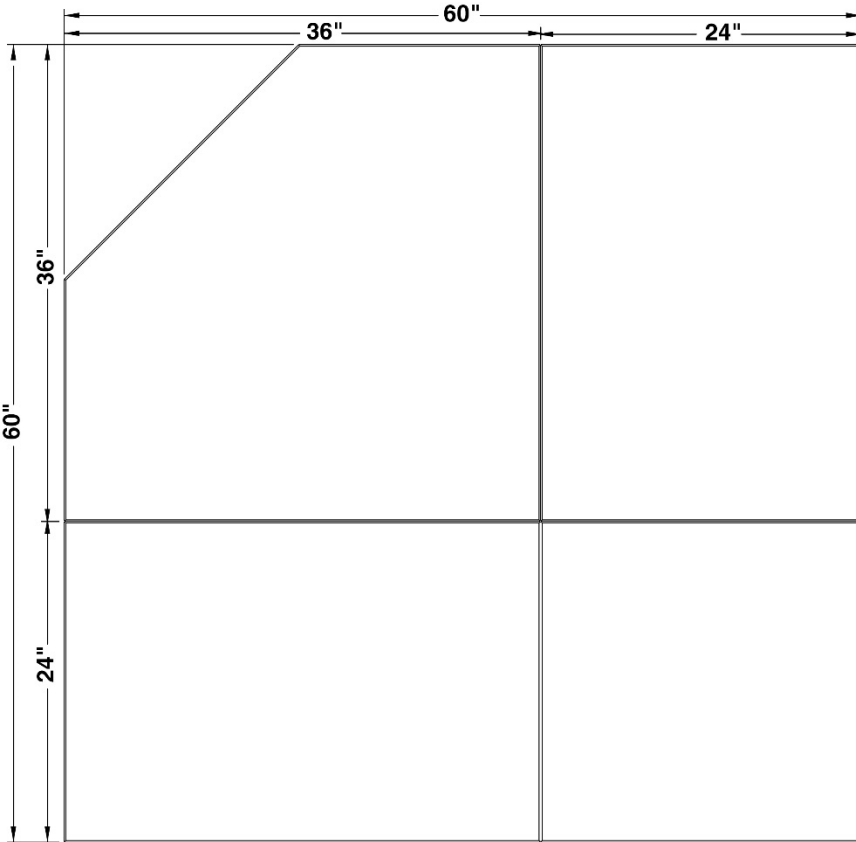
INSTALLATION INSTRUCTIONS



SECTION 1- DIMENSIONS

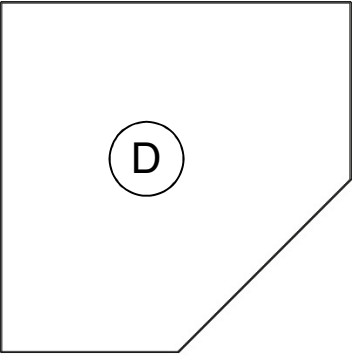
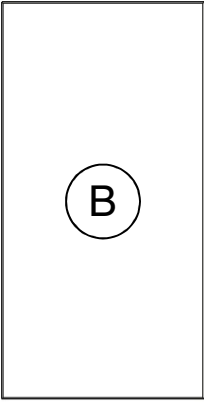
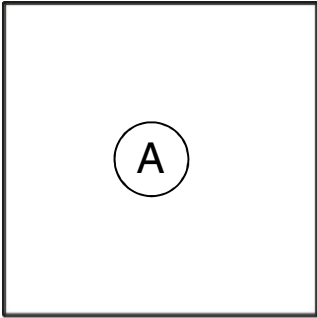
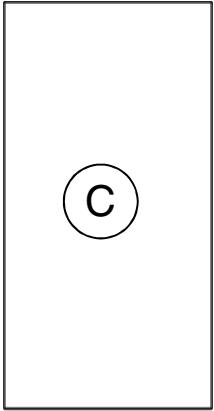


AC02786



AC02787

SECTION 2 – KITS CONTENTS

			
Floor screen protection AC02786 (PL36651) AC02787 (PL36651)	Floor screen protection AC02786 (PL36652) AC02787 (PL36657)	Floor screen protection AC02786 (PL36654) AC02787 (PL36659)	Floor screen protection AC02786 (PL36650) AC02787 (PL36658)

Insulated with 1/2" of Micore 300. Micore 300 is rated with a 1.03 R factor at 1/2" thickness. The R factor of the floor protection must be equal or greater than the one required by the manufacturer of the appliance being installed.

SECTION 3 - FLOOR AREA TO PROTECT

All solid fuel appliances should be placed on a non combustible surface to protect the floor from hot embers that could fall from the appliance during loading and maintenance.

ATTENTION

- THE FLOOR PROTECTION MUST NOT BE CUT OR TRIMMED.
- THE FLOOR PROTECTION MUST BE INSTALLED IN ACCORDANCE WITH LOCAL BUILDING CODE
- THE FLOOR PROTECTION MUST BE INSTALLED ON A CONTINUOUS, FLAT AND LEVEL SURFACE.
- THE FLOOR PROTECTION MAY NOT BE INSTALLED ON A CARPETED SURFACE.
- ALWAYS REFER TO THE CERTIFICATION PLATE ON THE APPLIANCE FOR THE FLOOR AREA TO PROTECT. USE THE FOLLOWING TABLE AS AN INDICATION ONLY.

The floor protection must cover the area mentioned in the following table:

FLOOR PROTECTION		
	CANADA	USA
A	18" (457 mm) From door opening	16" (406 mm) From door opening
B	8" (203 mm)	N/A (Canada only)
C	8" (203 mm)*	N/A (Canada only)
D	N/A (USA only)	8" (203 mm)
E	8" (203 mm)	**

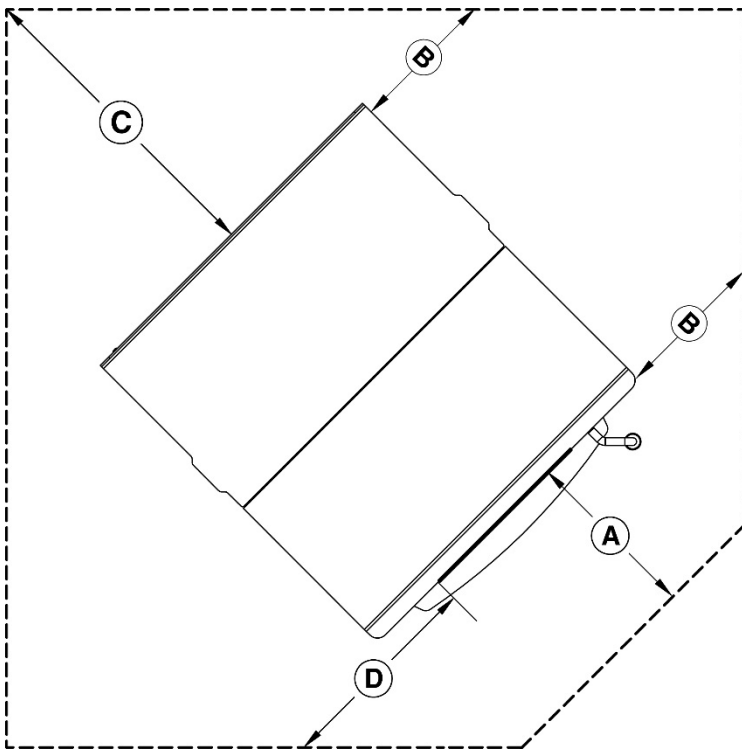


Figure 1: Top View - Floor Protection

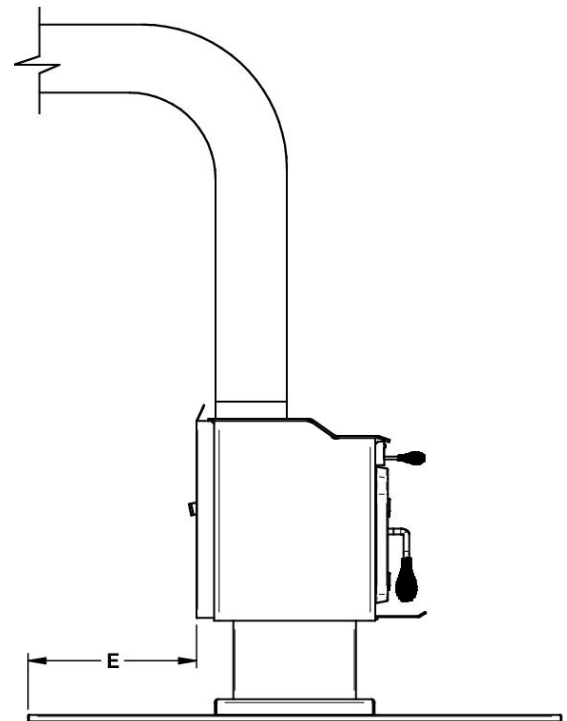


Figure 2 : Side View - Floor Protection

*The floor protection at the back of the stove (**C**) is limited to the stove's required clearance if such clearance is smaller than 8 inches (203 mm).

**Only required under the horizontal section of the connector. Must exceed each side of the connector by at least 2 inches (51 mm).

SECTION 4 - INSTALLATION

1. Determine the appliance position following manufacturer's recommendations.
2. Determine necessary dimensions for the floor protection.
3. Using masking tape, draw on the floor the contour where the floor protection will be installed.
4. Align one panel (**A**), matching the rear marks of step 3. Make sure the panel is centered with the corner of the wall.
5. Next step, install the panels (**B**) and (**C**) with the panel (**A**), as shown in the following figure.
6. Continue the installation by joining the panel (**D**) with the panels (**B**) and (**C**). **Make sure all panels are properly connected and aligned**

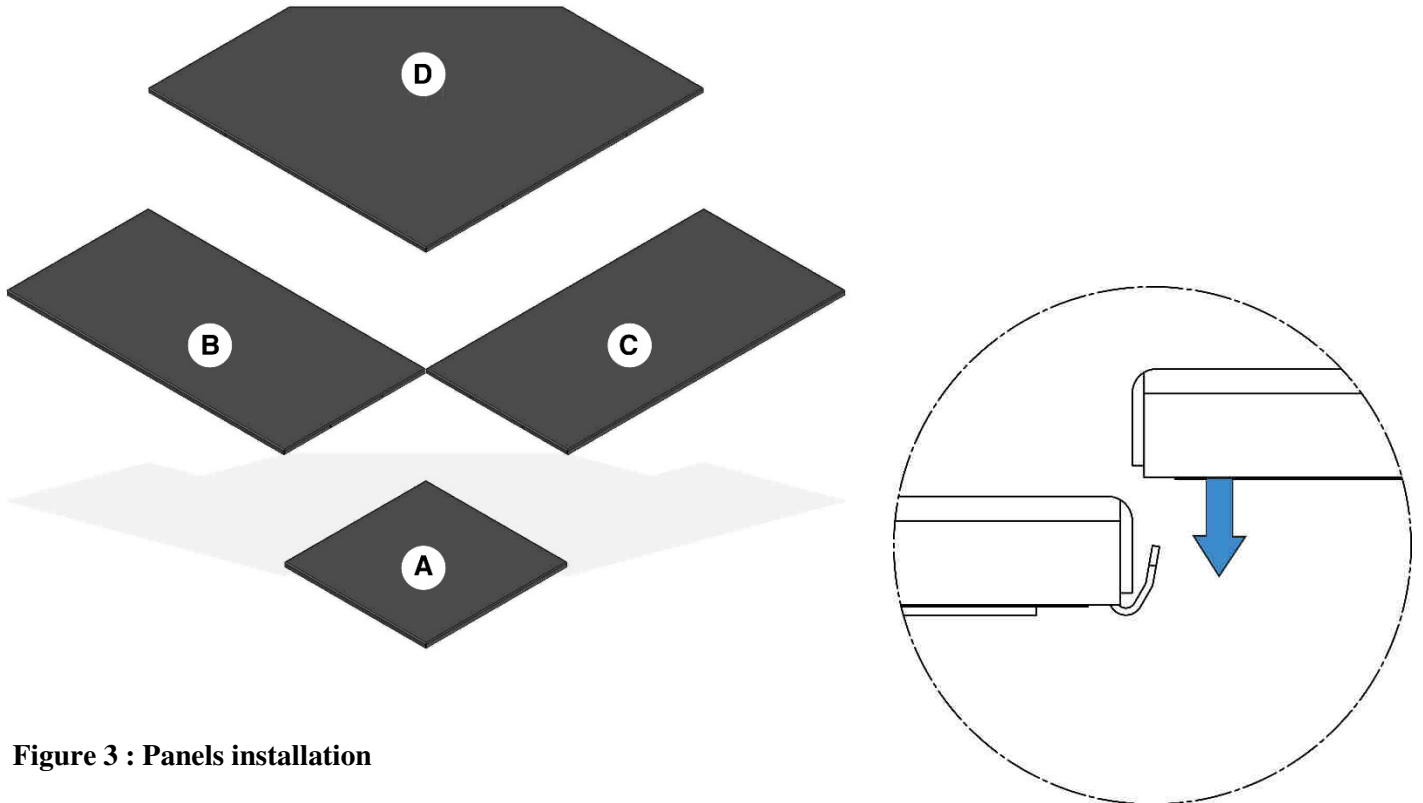
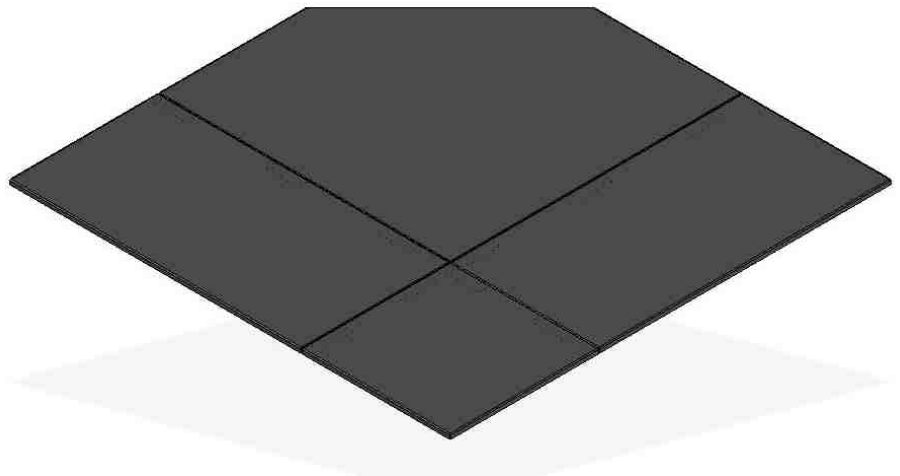


Figure 3 : Panels installation



7. Make sure the panels are placed inside one another correctly to protect the floor from hot embers that could fall from the appliance in between two panels that are not well fit together.

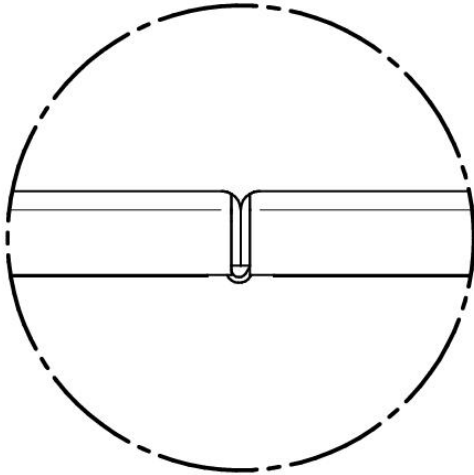


Figure 4 : Correct installation

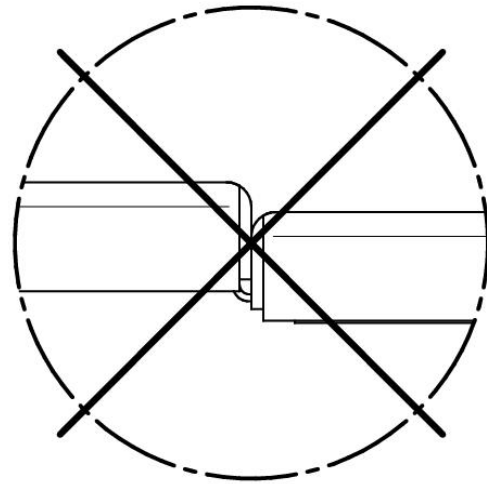


Figure 5 : Incorrect installation

8. Install the stove on the floor protector. **Do not slide the stove on the floor protector to avoid damaging the surface.**

Stove Builder International Inc.
250, rue de Copenhague
Saint-Augustin-de-Desmaures Québec,
Canada G3A 2H3