



# Blower Installation Instructions Model: BLOT

## Before You Start

**NOTE:** This instruction sheet is ONLY for models listed below. Carefully inspect the contents for shipping damage. If any parts are missing or damaged, immediately inform the dealer from whom you purchased the part.

**Models:** BDV, CDV, CFX32, DVB, DVBH, DFX32, HBDV, DV Designer Series, VFS32

## Kit Contents:

- |  |                                     |
|--|-------------------------------------|
| 1, Blower Assembly w/ 4, Velcro Strips | 1, Air Shield (installed on blower) |
| 1, Thermostat Sensor w/ Hi-temp Wire   | 1, Wire Tie                         |
| 1, Power Cord                          | 1, Hardware package                 |
| 1, Speed Control                       | 1, Instructions                     |
| 1, Wire Clip                           |                                     |

## Tools Required:

Short Handle Phillips Screwdriver

**WARNING**

Before installing the blower, turn off the fireplace and allow to cool. Only a qualified service person should service and repair the fireplace. A qualified service person should connect and disconnect the fireplace to gas supply. Follow all local codes.

**CAUTION**

Electrical connections should only be performed by a qualified licensed electrician. Main power supply must be turned off before connecting fans to the main electrical power supply or performing service.

**WARNING**

### Electrical Grounding Instructions:

This appliance is equipped with a three-prong (grounding) plug for your protection against shock hazard and should be plugged directly into a properly grounded three prong receptacle.

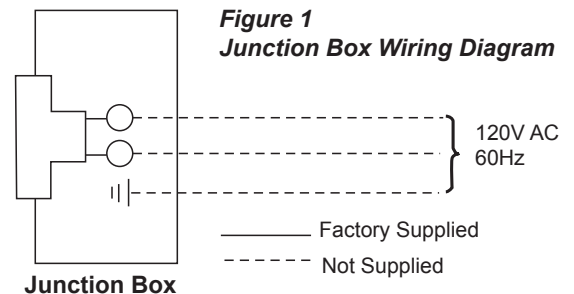
**IMPORTANT:** Always check local building codes. This installation must comply with local regulations as well as the National Electric Code.

**NOTE:** Be sure to verify your fireplace model before beginning installation.

## Installation Instructions

### Wiring

1. Before installing the blower, wire the receptacle into an electrical circuit. This should be done before framing the fireplace. Wire with minimum 60° C wire in accordance with prevailing codes.
2. Remove the external junction box cover by removing the screw from the left side of the outside firebox wall. Junction box was installed at the factory.
3. The junction box cover has a factory installed "romex" style strain relief connector. After connecting the wires, route the wire leads through this connector. Refer to the wiring diagram in *Figure 8*.



**NOTE:** Before installing blower, verify the model.

### Blower Air Shield:

**BDV300 and all Designer Series** fireplaces, remove the air shield before installing blower.

**DFX32, CFX32,** repositions air shield as shown in *Figure 2*.

All other units utilize the blower air shield as factory installed.

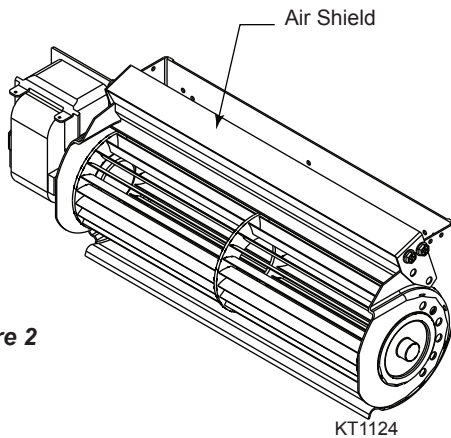


Figure 2

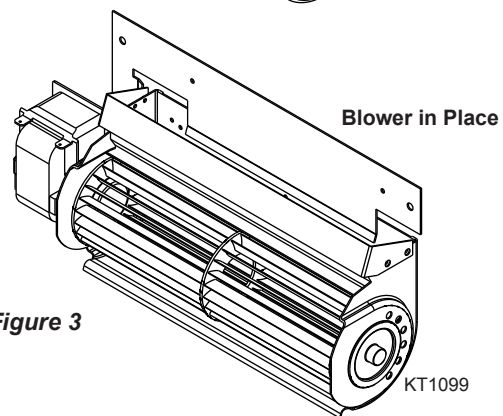
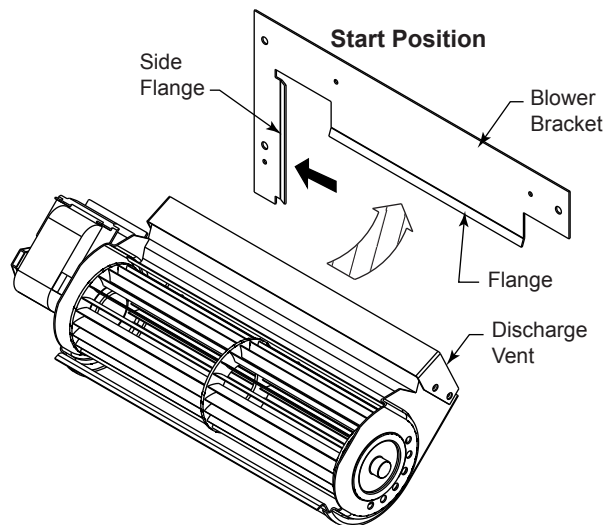


Figure 3

## Installation Instructions

### Blower

**NOTE:** Some fireboxes are equipped with a pre-installed blower mounting bracket. If so, follow the instructions for “Install with Blower Bracket”. If the firebox does not have the mounting bracket follow the instructions “Install without Mounting Bracket”.

#### Install with Blower Mounting Bracket

1. The four (4) Velcro strips are used to insulate blower vibration when using mounting bracket. Be sure to leave in place.
2. Remove the lower access door according to Homeowner’s Manual. The blower can slide through the lower access door in most units. For some smaller units (32” or 300 series) you will need to remove the glass, logs and burner engine to install the blower through the engine cut in firebox floor. This may also need to be done when gas line is installed before blower. Refer to the Homeowner’s Manual.
3. With blower in lower access compartment, turn the discharge vent so it is facing up. Slip the discharge vent flange under the flange of the mounting bracket flush up against the back wall. Slide the side tabs over into the side flange. *Figure 3*

#### Install without Mounting Bracket

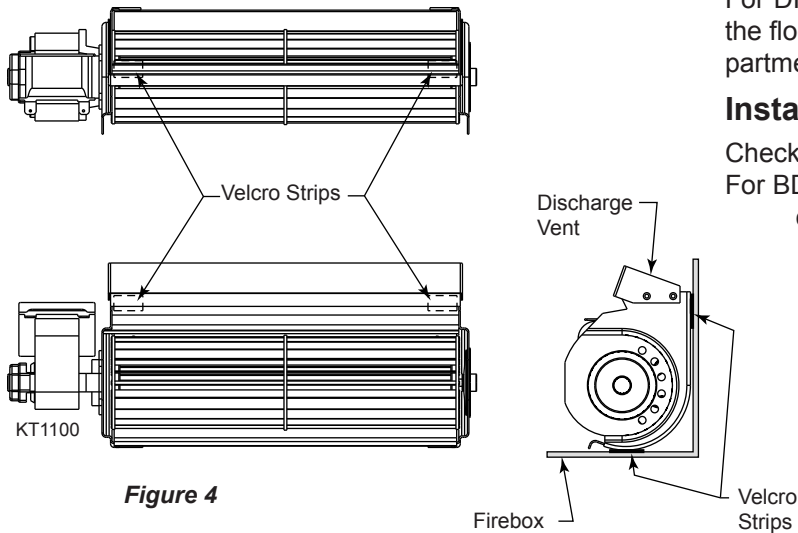
1. Remove the lower access door according to Homeowner’s Manual. The blower can slide in through the lower access door in most units. For some smaller units (32” or 300 series) you will need to remove glass,

logs and burner engine to install the blower through the engine cut in firebox floor. This may also need to be done when gas line is installed before blower. Refer to Homeowner’s Manual.

2. Use the supplied Velcro on the blower to secure the blower to the firebox wall and floor.

**NOTE:** Make sure the area where the Velcro is attached is clean and dry before mounting the blower.

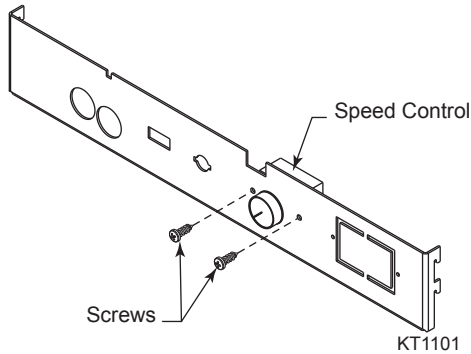
3. Remove the tape from the back of the Velcro and slide the blower into position on the inside back firebox wall. The blower should be centered with the rear blower discharge vent facing up and flat against the firebox back wall and floor. *Figure 4*



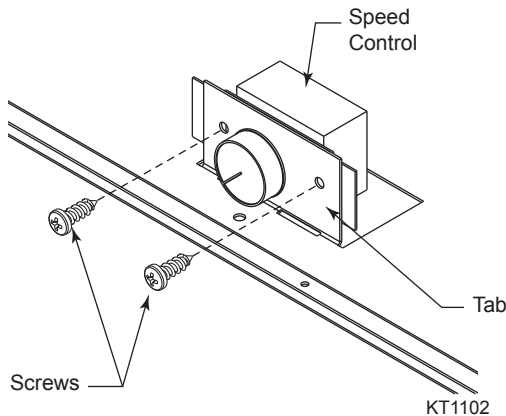
**Figure 4**

### Install Variable Speed Control

For BDV, DVB, HDV, DVH and DV Designer Series, the speed control is to be mounted to the control panel. *Figure 5*. For CDV the speed control is to be mounted to the mounting tab on the floor. Bend tab up 90°. *Figure 6*



**Figure 5**



**Figure 6**

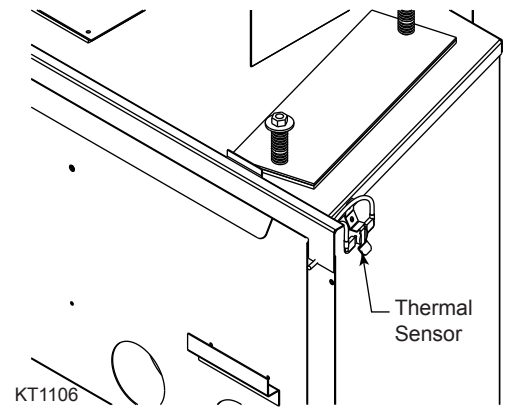
1. Remove the knob from the speed control by pulling apart.
2. Place the speed control behind the control panel or the mounting tab using the two (2) screws provided.
3. Reinstall knob.

For DFX and CFX the speed control is to be velcroed to the floor in the front right corner in the lower access compartment.

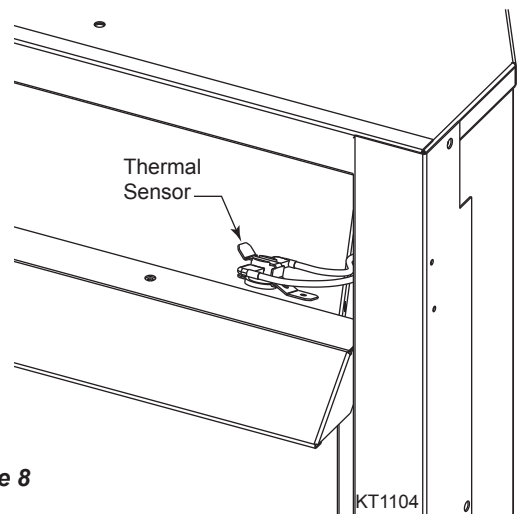
### Install the Thermal Sensor

Check for pre-installed thermostat sensor clip location. For BDV, CDV, DVB, DVHB, HBDV the sensor is located on the right side at the top of the firebox. *Figure 7*. For CFX32, DFX32, DV Designer Series, the sensor clip is located behind the top louver on firebox top. *Figure 8*

1. Slide the thermal sensor into the clip until it snaps into place. Make sure the terminals on the thermal sensor are perpendicular to the clip. *Figure 9*
2. Run the two (2) hi-temp wires provided down the side of the firebox into the lower access compartment.



**Figure 7**



**Figure 8**

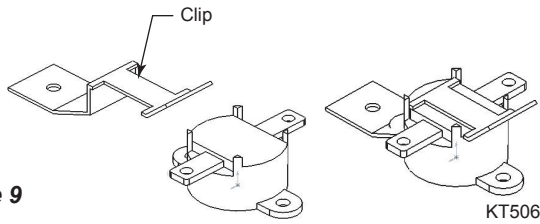


Figure 9

## Wiring

1. Connect the wiring according to the wiring diagram. *Figure 10*
2. Plug in power cord to junction box. *Figure 11*

**WARNING:** It is important to arrange the blower wire harness so the wires can not come in contact with the blower fan blades.

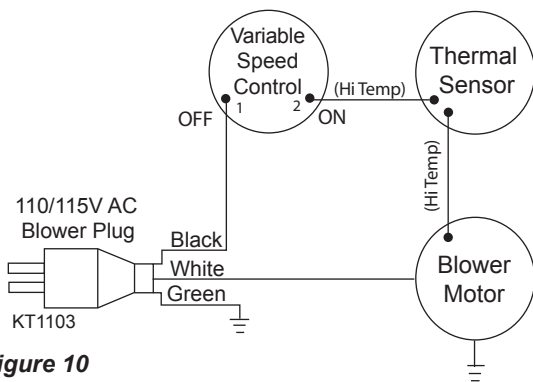


Figure 10

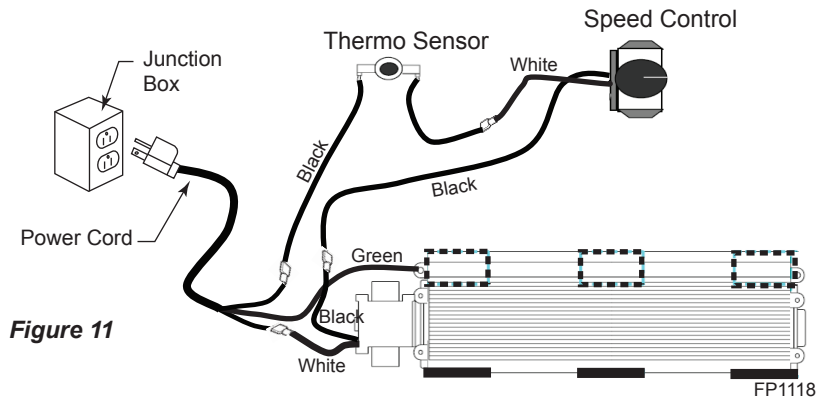


Figure 11

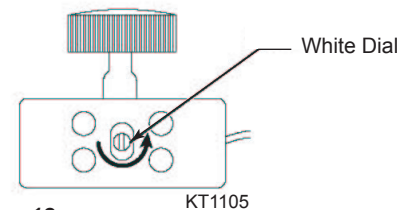


Figure 12

## Finishing

1. Replace engine, logs and glass if removed earlier. Refer to Homeowner's Manual.
2. Test blower operation. Set the variable speed blower on the low setting. Turn fireplace on high. The blower should turn on within 10 minutes.
3. If blower does not turn on, turn the fireplace off and allow to cool. Using a small jeweler's style screwdriver, turn the white dial on the side of the speed control 1/8 turn counterclockwise. *Figure 12*. This will allow the blower to start at a lower speed setting as the fireplace cycles on and off. Retest blower.
4. To use blower, turn the knob on the speed control to the desired speed and blower will work automatically when the fireplace is turned on and off.

## MHSC

149 Cleveland Drive • Paris, Kentucky 40361  
www.mhsc.com