



AMBIANCE®

PIZZERO

Ambiance 14" Pizza Oven

User Manual and Instructions

Manuel d'utilisation

**READ & KEEP THIS MANUAL. DO NOT DISCARD.
LIRE ET GARDER CE MANUEL. CONSERVER.**

WWW.AMBIANCFIREPLACES.COM





AMBIANCE®

FIREPLACES | GRILLS

MODEL# AMB-0014
MASTER# 302727

READ INSTRUCTIONS BEFORE ASSEMBLY
KEEP MANUAL FOR FUTURE REFERENCE
FOR OUTDOOR USE ONLY

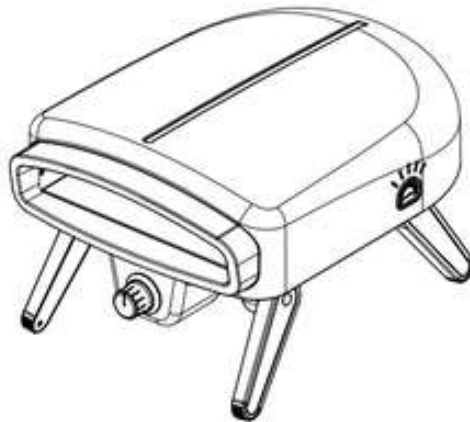
USE ONLY THE HOSE AND HOSE CONNECTOR PROVIDED!

IF A REPLACEMENT IS NECESSARY, PLEASE CONTACT
EITHER OUR CUSTOMER SERVICE DEPARTMENT OR YOUR
LOCAL DEALER.

THE USE OF UNAUTHORISED PARTS CAN CREATE UNSAFE
CONDITIONS AND ENVIRONMENT.

APPLIANCE IS NOT INTENDED FOR COMMERCIAL USE.

THE CYLINDER SUPPLY SYSTEM MUST BE ARRANGED FOR
VAPOR WITHDRAWAL



FOR OUTDOOR USE ONLY
PLEASE READ INSTRUCTIONS CAREFULLY BEFORE ASSEMBLY
RETAIN THIS MANUAL FOR FUTURE REFERENCE



AMBIANCE®

FIREPLACES | GRILLS

 **DANGER**

IF YOU SMELL GAS:

- SHUT OFF GAS TO THE APPLIANCE.
- EXTINGUISH ANY OPEN FLAME.
- IF ODOR CONTINUES, KEEP AWAY FROM THE APPLIANCE AND IMMEDIATELY CALL YOUR FIRE DEPARTMENT.

FAILURE TO FOLLOW THESE INSTRUCTIONS COULD RESULT IN FIRE OR EXPLOSION WHICH COULD CAUSE PROPERTY DAMAGE, PERSONAL INJURY OR DEATH.

 **DANGER**

1. NEVER OPERATE THIS APPLIANCE UNATTENDED.
2. IF A FIRE SHOULD OCCUR, KEEP AWAY FROM THE APPLIANCE AND IMMEDIATELY CALL YOUR FIRE DEPARTMENT. DO NOT ATTEMPT TO EXTINGUISH AN OIL OR GREASE FIRE WITH WATER.

FAILURE TO FOLLOW THESE INSTRUCTIONS COULD RESULT IN FIRE OR EXPLOSION WHICH COULD CAUSE PROPERTY DAMAGE, PERSONAL INJURY OR DEATH.



AMBIANCE®

FIREPLACES | GRILLS

⚠ DANGER

THIS INSTRUCTION MANUAL CONTAINS IMPORTANT INFORMATION NECESSARY FOR THE PROPER ASSEMBLY AND SAFE USE OF THE APPLIANCE.

READ AND FOLLOW ALL WARNINGS AND INSTRUCTIONS BEFORE ASSEMBLING AND USING THE APPLIANCE. FOLLOW ALL WARNINGS AND INSTRUCTIONS WHEN USING THE APPLIANCE. KEEP THIS MANUAL FOR FUTURE REFERENCE. AFTER INSTALLATION, LEAVE THE MANUAL WITH THE CONSUMER.

THE INSTALLATION MUST CONFORM WITH LOCAL CODES OR, IN THE ABSENCE OF LOCAL CODES, WITH STORAGE AND HANDLING OF LIQUEFIED PETROLEUM GASES, ANSI/NFPA 58; OR NATURAL GAS AND PROPANE INSTALLATION CODE, CSA B149.1; PROPANE STORAGE AND HANDLING, CSA B149.2.

THIS APPLIANCE IS NOT INTENDED TO BE INSTALLED IN OR ON A BOAT.

THE USE OF ALCOHOL, PRESCRIPTION, OR NON-PRESCRIPTION DRUGS MAY IMPAIR THE CONSUMER'S ABILITY TO PROPERLY ASSEMBLE OR SAFELY OPERATE THE APPLIANCE.

THIS APPLIANCE IS NOT INTENDED FOR AND SHOULD NEVER BE USED AS A HEATER.



AMBIANCE®

FIREPLACES | GRILLS

READ ALL SAFEGUARDS AND INSTRUCTIONS THOROUGHLY!

YOUR SAFETY IS VERY IMPORTANT - FAILURE TO FOLLOW PROPER PROCEDURES AND SAFEGUARDS MAY RESULT IN PROPERTY DAMAGE, PERSONAL INJURY OR DEATH.



DANGER

- This product is for **OUTDOOR USE ONLY**.
- Never operate this product unattended.
- The use of alcohol, prescription or non prescription drugs may impair the consumer's ability to properly assemble or safely operate the product.
- Never operate this product within 686mm of any gas cylinder. Never operate this product within 25 feet (7.5 m) of any flammable liquids.
- Use this product only on a level, stable non- combustible surface like brick, concrete or dirt. Do not use product on or around any surface that will burn or melt like wood decks, dry grass, leaves, wood rails, asphalt, vinyl, or plastic.
- Never operate this product under any overhead roof covering, awning or overhang. Never use inside an enclosed area such as screen patios, garage, buildings, tents. Keep a minimum clearance of 686 mm from all sides of the product.
- Never use in or on recreational vehicles and/or boats.
- Never use this product for anything other than its intended purposes. This product is not intended for commercial use. Never use this product as a heater.
- Keep the area clear of all flammable liquids, combustible material including but not limited to wood, dry plants including grass, brush, paper, and canvas.
- This product is **HOT** while in use and after use - Avoid touching hot surfaces. Always



DANGER

- wear protective gloves or mitts when operating the product
- Keep children and pets away from the product at all times.
- Do not allow anyone to conduct activities around the product during or following its use until the unit has cooled. The product is hot during operation and remains hot for a period of time following its use.
- Never move the product when it is in use. Allow the product to cool below 115oF (40°C) before moving or storing it.
- Always wear shoes and protective clothing during operation of this product
- Accessory attachments and cookware not manufactured or supplied for this product are not recommended for use.
- Keep the fuel supply hose away from any heated surfaces.
- Do not attempt to disconnect any gas fitting while the product is in operation.



AMBIANCE®

FIREPLACES | GRILLS

READ ALL SAFEGUARDS AND INSTRUCTIONS THOROUGHLY!

YOUR SAFETY IS VERY IMPORTANT - FAILURE TO FOLLOW PROPER PROCEDURES AND SAFEGUARDS MAY RESULT IN PROPERTY DAMAGE, PERSONAL INJURY OR DEATH.

! DANGER

This installation must conform with local codes or, in the absence of local codes, with the Natural Gas and Propane Installation Code, CSA B149.1.

- Before each use, inspect gas hose for any signs of damage and check all nuts and bolts to be sure that they are tight and secure.
- When lighting your product, do not cover the burner or restrict airflow from the burner. An explosion could occur.
- If burner does not ignite, turn off the control valve and gas and wait 5 minutes before trying to light it again. If the burner goes out during operation, first turn the control valve OFF, then the gas cylinder OFF.
- Do not obstruct flow of combustion and ventilation. Keep the ventilation opening(s) of the cylinder enclosure free and clear of debris.
- Keep clear of the product hose. Tripping over the product hose may result in the spilling of HOT grease or water, causing personal injury or property damage.

! DANGER

- In the event of an oil/grease fire, immediately turn off gas supply and call the Fire Department. Do not attempt to extinguish a fire with water. A Type BC or ABC fire extinguisher may in some cases contain the fire.
- Keep your hands, hair and face away from the burner flame. Do not lean over or into the product when lighting the burner. This product has an open flame. Be careful of loose hair and clothing during operation which could catch fire.
- After use, always turn the control knob OFF first.
- Always allow the hot water to cool completely below 100° F (38°C) before moving to avoid the possibility of severe burns.
- Never use glassware, plastic, or ceramic cookware in this product.
- Always disconnect the gas pipeline from your product when not in use.
- If you smell, hear or see gas escaping, immediately get away from the gas cylinder and call the Fire Department.

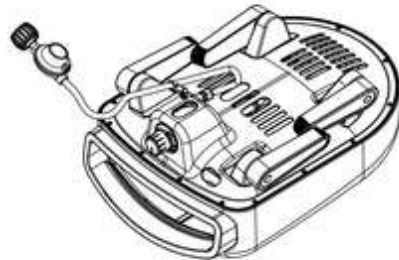
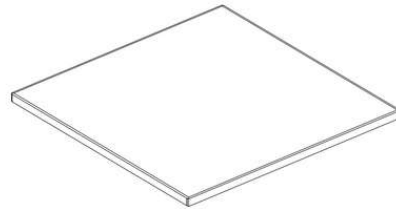
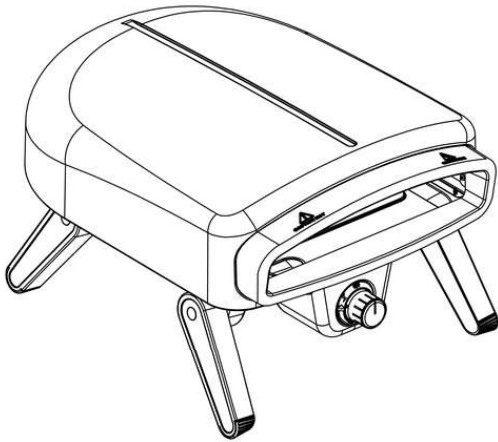
USE CAUTION AND COMMON SENSE WHEN OPERATING YOUR PRODUCT.
READ ALL INSTRUCTIONS, WARNINGS AND SAFEGUARDS PRIOR
TO ASSEMBLING AND OPERATING YOUR PRODUCT.
SAVE THESE INSTRUCTIONS

PARTS LIST

All parts are in the shipping carton, do not throw away or recycle packaging until all parts are located.

1. Pizza Oven (AMB-0014)
2. Cordierite pizza stone baking board

Also Included: Carrying Case, Pizza Peel.



If your pizza oven arrives damaged or missing parts do not return to the store.

Please contact us at hello@couleeoutdoor.com or 1-855-9COULEE (1-855-926-8533).

If your pizza oven has arrived damaged, you may be asked to supply pictures.



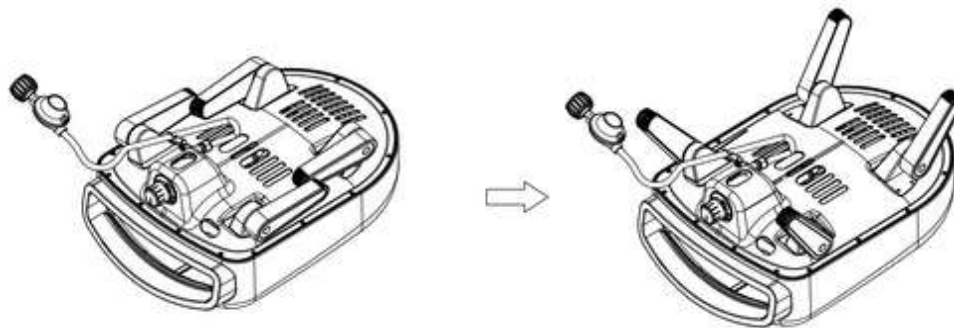
AMBIANCE®
FIREPLACES | GRILLS

ASSEMBLY

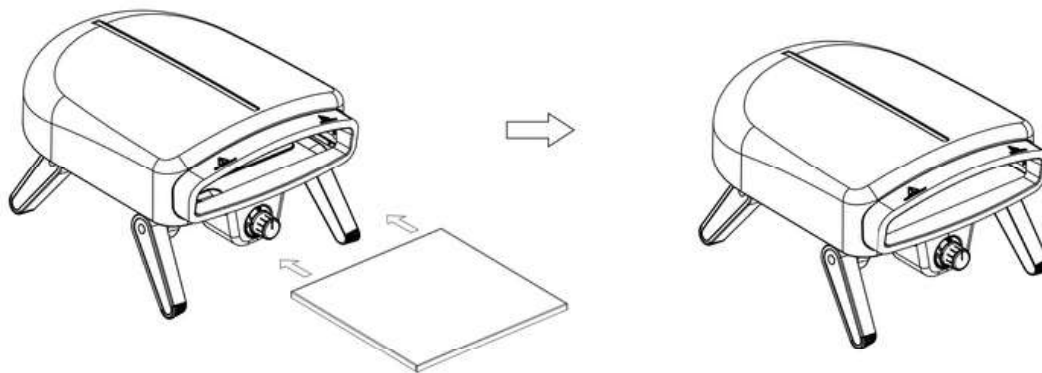
BEFORE ASSEMBLY, MAKE SURE ALL PARTS ARE PRESENT. IF ANY PART IS MISSING OR DAMAGED, DO NOT ATTEMPT TO ASSEMBLE THE APPLIANCE. CONTACT CUSTOMER SERVICE OR THE PLACE OF PURCHASE FOR REPLACEMENT PARTS.

1. UNFOLD LEGS

⚠️ WARNING: THE RUBBER PROPANE HOSE IS PRE-INSTALLED ON A HOOK.



2. INSERT CORDIERITE PIZZA STONE



If your pizza oven arrived damaged or missing parts do not return to store.

Please contact us at hello@couleeoutdoor.com or 1-855-9COULEE (1-855-926-8533).

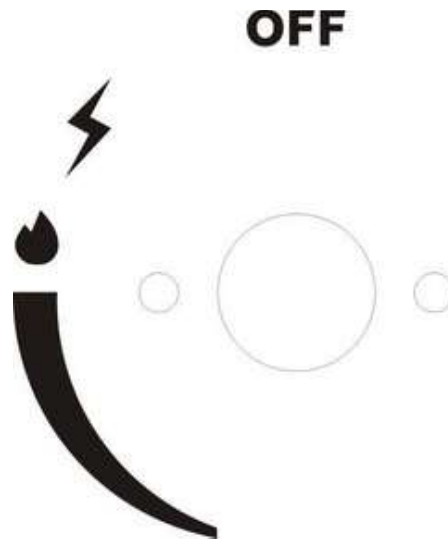
If your fire pit has arrived damaged, you may be asked to provide pictures.

LIGHTING INSTRUCTIONS

NOTE: Always check gas for leaks before lighting. Once you have established there are no leaks proceed safely.

1. Push down and turn the temperature dial counterclockwise towards the "HIGH" position (you will hear a clicking sound) to light the burner. If the burner does not light, repeat process 3-4 times, each time hearing the clicking sound. If the problem continues turn off the gas tap and wait for five minutes, then repeat this process.
2. Adjust the heat by turning temperature dial to the High position to preheat to desired position.
3. Once the desired temperature is reached and the pizza stone is hot, turn the temperature dial down to help burning of the crust. Rotate pizza every 15-30 seconds.

NOTE: Turn the temperature dial back to high if you need to prepare another pizza and repeat process as needed.





SAFETY & WARNINGS – READ BEFORE USE

WARNING! : Below is a summary of important safety warnings and advice. It is imperative that you follow the instructions and observe the warnings provided in the operating manual as failure to do so can result in serious bodily injury or damage to property. This is not a complete list, please ensure you are familiar with the whole booklet prior to installation or operation of the pizza oven.

⚠ WARNING: IF YOU SMELL GAS

- SHUT OFF GAS TO THE APPLIANCE
- EXTINGUISH ANY OPEN FLAME
- IF ODOUR CONTINUES, KEEP AWAY FROM THE APPLIANCE AND IMMEDIATELY CALL YOUR GAS SUPPLIER OR YOUR FIRE DEPARTMENT

⚠ WARNING: ONLY USE THE HOSE AND HOSE CONNECTOR PROVIDED! IF A REPLACEMENT IS NECESSARY, PLEASE CONTACT OUR CUSTOMER SERVICE OR YOUR LOCAL DEALER.

⚠ WARNING: FOR OUTDOOR USE ONLY.

⚠ WARNING: DO NOT USE WHEN UNATTENDED. ALWAYS KEEP CHILDREN AND PETS AWAY FROM THE APPLIANCE.

⚠ WARNING: HOT TO TOUCH WHEN APPLIANCE IS IN USE.

⚠ WARNING: DO NOT ATTEMPT TO MOVE APPLIANCE WHEN IN USE.

⚠ WARNING: NEVER ATTEMPT TO USE APPLIANCE AS A HEATER.

⚠ WARNING: DO NOT USE APPLIANCE WITHIN 10FT/3M OF ANOTHER GAS CYLINDER.

⚠ WARNING: WHEN STARTING YOUR APPLIANCE KEEP YOUR FACE AND HANDS AWAY FROM THE OPENING.

⚠ WARNING: ALWAYS CHECK GAS FITTINGS FOR LEAKS BEFORE USING. DO NOT USE UNTIL THE FITTINGS HAVE BEEN CHECKED AND ARE CLEAR FROM LEAKS.

⚠ WARNING: DO NOT USE ON BOATS OR RECREATIONAL VEHICLES.

⚠ WARNING: INTENDED FOR RESIDENTIAL USE ONLY. NOT INTENDED FOR COMMERCIAL USE.

⚠ WARNING: IF A FIRE SHOULD OCCUR, KEEP AWAY FROM THE APPLIANCE, AND IMMEDIATELY CALL YOUR FIRE DEPARTMENT. DO NOT ATTEMPT TO EXTINGUISH AN OIL OR GREASE FIRE WITH WATER.

FAILURE TO FOLLOW THESE INSTRUCTIONS COULD RESULT IN FIRE OR EXPLOSION WHICH CAN CAUSE PROPERTY DAMAGE, PERSONAL INJURY OR DEATH.



SAFETY & WARNINGS – READ BEFORE USE

WARNING! : Below is a summary of important safety warnings and advice. It is imperative that you follow the instructions and observe the warnings provided in the operating manual as failure to do so can result in serious bodily injury or damage to property. This is not a complete list, please ensure you are familiar with the whole booklet prior to installation or operation of the pizza oven.

⚠ WARNING: Do not use alternate fuels such as, charcoal, wood, liquids. This appliance is ONLY intended for propane gas. ONLY use a certified propane tank from a licensed propane seller.

⚠ WARNING: Do not operate appliance under the influence of alcohol or drugs.

⚠ WARNING: Never operate this appliance in enclosed areas.

⚠ WARNING: Do not use plastic or glass utensils inside.

⚠ WARNING: Do not operate appliance in strong winds.

⚠ WARNING: Do not wear flammable and baggy clothing while operating the appliance.

⚠ WARNING: Do not use under any apartment or condominium balcony.

⚠ WARNING: Do not smoke around the oven or propane gas cylinder.

⚠ WARNING: Do not store gas cylinders in enclosed areas or below ground level.

⚠ WARNING: Appliance is intended for propane gas.

⚠ WARNING: Ensure gas hose is not twisted.

⚠ WARNING: Do not use in tent, garage, vehicle, or any enclosed area.

⚠ WARNING: THE COMBUSTION-PRODUCTS EMITTED WHEN THIS PRODUCT IS BURNING CAN EXPOSE YOU TO CHEMICALS INCLUDING CARBON MONOXIDE WHICH IS KNOWN WHICH IS KNOWN BY THE STATE OF CALIFORNIA TO CAUSE BIRTH DEFECTS OR OTHER REPRODUCTIVE HARM. FOR MORE INFORMATION, GO TO: WWW.P65WARNINGS.CA.GOV

IN CANADA THE WORKPLACE HAZARDOUS MATERIALS INFORMATION SYSTEM (WHMIS) PROVIDES INFORMATION ON THE SAFE USE, HANDLING, AND STORAGE OF HAZARDOUS MATERIALS. GO TO: CCOHS: Propane

FAILURE TO FOLLOW THESE INSTRUCTIONS COULD RESULT IN FIRE OR EXPLOSION WHICH CAN CAUSE PROPERTY DAMAGE, PERSONAL INJURY OR DEATH.



SAFETY & WARNINGS & INSTRUCTIONS

GAS SAFETY PRECAUTION

BEFORE LIGHTING ALWAYS ENSURE YOU ARE PRACTICING GAS SAFETY

- Never leave burners on high for more than 15 minutes unless during cooking. If the burner makes a hissing sound when lit, it could be the flame is burning inside the burner itself. Immediately turn off the burner and allow it to cool down before lighting the burner again.
- Do not allow buildup of unburned gas.

GAS CYLINDER SAFETY INFORMATION

- This appliance is designed to be used with a standard 20 lb propane gas cylinder not exceeding (USA 20lb)
- The gas cylinder supply valve must be turned off when the appliance is not in use.
- Gas cylinders must be stored outdoors, out of reach of children and must not be stored in a building, garage, or any other enclosed area.
- The gas cylinder used must incorporate a safety collar to protect the valve assembly.
- Do not store gas cylinders on their side as this could allow liquid gas into the supply pipes with serious results.
- Perform a leak test to your appliance before each use. Leak test the hose connections each time you reconnect the gas cylinder.
- Always turn off the gas at the cylinder when not in use.
- Keep propane gas away from other heat sources.
- Have the gas cylinder filled by an authorized propane supplier. Storage of an appliance indoors is permissible only if the cylinder is disconnected and removed from the appliance.

The LP tank used with your appliance must meet the following requirements:

Purchase LP tanks only with these required measurements: 12" (30.5cm)(diameter) x 18" (45.7cm)(tall) with 20 lb. (9 kg.) capacity maximum.

Be constructed and marked in accordance with specifications for LP tank of the U.S. Department of Transportation (DOT) or the National Standard of Canada, CAN/CSA-B339, Cylinders, Spheres and Tubes for the Transportation of Dangerous Goods.

The refillable propane cylinder used with this appliance must include a collar to protect the cylinder valve.



SAFETY & WARNINGS & INSTRUCTIONS

GAS SAFETY GAS SMELL PRESENT

If there is a strong gas smell or the hissing sound of gas, it may indicate a serious problem with your appliance or LP gas tank. Immediately follow the steps below, failure to do so can result in serious injury, death, or property damage.

1. Immediately shut off gas supply to the pizza oven
2. Turn the control knobs to OFF position
3. Extinguish any flames with a class B fire extinguisher
4. Open the oven door
5. Stay away from LP gas tank
6. Do not try to fix the problem yourself

If the odor continues or you cannot extinguish the fire, contact your emergency hotline at once.

NOTE: The normal flow of gas through the regulator will create a soft humming sound, this low volume sound is normal and will not interfere with the operation of the appliance.

- The specific size and capacity of the cylinder to be used.
- The LP gas supply cylinder to be used must be constructed and marked in accordance with the specifications for LP gas cylinders, U.S. Department of Transportation (DOT) or the Standard for Cylinders, Spheres and Tubes for the Transportation of Dangerous Goods, CAN/CSA-B339.
- Minimum clearance from side and back of unit to combustible construction: 27" (686mm) from sides and 27" (686mm) from back.

GAS LEAK PROCEDURE

Never use a naked flame to check for gas leaks. Always use the following procedure to check for gas leaks.

1. In a small container, mix up a solution of water and detergent or soap. Mix the solution well.
2. Make sure that the gas supply valve on the gas cylinder is turned on.
3. Make sure that the gas control valves on the appliance are all turned off.
4. Using a brush or spray bottle apply the solution to the gas line and each join in the gas line.
5. Bubbles formation on the joints indicate there is a leak present.
6. Re-tighten or re-seal any joints that are leaking.

If a leak persists, then contact your retailer or a licensed gas fitter.





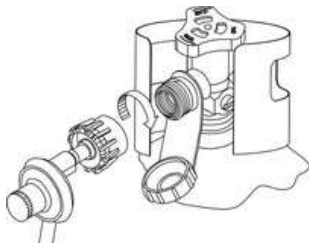
SAFETY & WARNINGS & INSTRUCTIONS

GAS SAFETY PRECAUTIONS CONNECTING TO THE GAS CYLINDER

Regulator Connection

1. Check that all control knobs are in the 'Off' position.
2. Make sure the cylinder valve is off.
3. Remove the protective cap from the cylinder if present.
4. Leak test the connection with a soapy water solution. (See Gas Leak Testing Procedure Pg.12)
5. Connect the hose to the gas inlet on the right-hand side of the pizza oven. Do not overtighten. Connect the regulator end of the hose to the gas cylinder as shown. Ensure the hose does not twist or kink.

NOTE: The appliance must be evaluated for safe and proper operation on completion of installation. Always perform the leak test before proceeding.



REGULATORS WHICH FIT INSIDE THE MOUTH OF
THE CYLINDER VALVE ARE TIGHTENED
COUNTER-CLOCKWISE.

DISCONNECTING PROPANE GAS

When disconnecting and removing the gas cylinder for the purpose of refilling, always observe the following procedure:

- Ensure that all gas control valves on the appliance and the gas cylinder are turned off before disconnecting the regulator from the cylinder.
- Do not smoke or use a naked flame near the appliance or gas cylinder while disconnecting the gas line between the appliance and gas cylinder.
- Remove the gas cylinder from the enclosure before disconnecting the regulator from the appliance.
- Tighten all connections before placing the gas cylinder back in its enclosure.
- The gas leak testing procedure should be conducted every time the gas cylinder is refilled and reconnected to the appliance before using the appliance.



AMBIANCE®

FIREPLACES | GRILLS

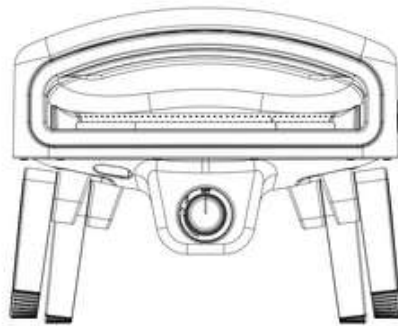


SAFETY & WARNINGS & INSTRUCTIONS

SAFE LIGHTING

- Always ensure the pizza oven is open and not covered by lid or hood.
- Visually check burner flames to confirm lighting.
- Do not lean over the pizza oven when lighting.
- Do not use charcoal or any other solid fuel in this appliance.

Observe the interior of the pizza oven through the front cover of the pizza oven to see if the flame on the stove head is burning normally, and the flame is light blue.



Hose and regulator safety

In the event there is an issue with your hose or regulator please contact your professional supplier service agent to obtain the approved replacement part.

Regulator Connection

1. Check that all control knobs are in the 'Off' position.
2. Make sure the cylinder valve is off.
3. Remove the protective cap from the cylinder if present.
4. Leak test the connection with a soapy water solution. (See Gas Leak Testing Procedure PG. 12)

In Case of fire

Most fires are caused by a buildup of grease, or by improper gas connection. In the case where there is a fire you cannot extinguish, turn off the gas immediately and call your emergency hotline.

- Avoid calling close to the LPG gas tank because electrical device could potentially create a spark and cause a fire or explosion.
- Use a Type BC or ABC fire extinguisher to extinguish fire. Never use water to try and extinguish a grease fire.



SAFETY & WARNINGS & INSTRUCTIONS

SAFE LOCATION - USE OUTDOORS ONLY

This appliance shall only be used in an above ground open-air situation with natural ventilation, without stagnant areas, where gas leakage and products of combustion are rapidly dispersed by wind and natural convection.

Any outdoor enclosure in which the appliance is used shall comply with one of the following:

- An enclosure with walls on all sides, but at least one permanent opening at ground level and no overhead cover. The appliance shall not be located or used overhead unprotected combustible construction. See Figure 1.

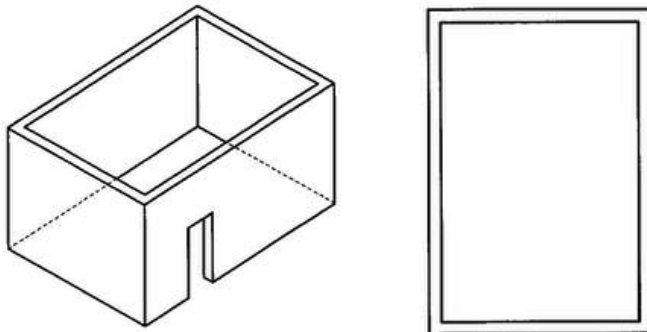


Figure 1 - Enclosure with walls on all sides but no overhead cover.



SAFETY & WARNINGS & INSTRUCTIONS

OPERATING PROCEDURES

Lighting your pizza oven
Lighting Instructions (Main pizza oven burners):

LIGHTING INSTRUCTIONS

1. Turn the control knob clockwise to "OFF" position.
2. Connect the regulator to the gas cylinder. **Check with the use of soap water of any gas leakages.**
3. Push down the control knob and keep pressing whilst turning anticlockwise to the "min" position and the will light the burner. Repeat this process up to 3-4 times after hearing the clicking sound.
4. if the burner still does not light, turn wait 5 minutes and repeat step 3. Adjust the heat by turning the knob to the MIN/MXA position.

Controlling the burners

The burners have three basic position, rotate the knob between low and high to achieve desired flame height.

Turning off the pizza oven safely

It is best to turn off the cylinder first and allow all the gas remains in the hose to burn off, this will only take a s few seconds. Then turn off all burners.

⚠ WARNING

If any burner fails to ignite, turn the control knob off (clockwise) and also turn the cylinder valve off. Wait five minutes before attempting to relight with ignition sequence.

⚠ WARNING

Before cooking for the first time, operate the pizza oven for about 20 minutes with the gas turned on HIGH. This will "heat clean" the internal parts and dissipate odor from the painted finish. (The colour of cooking area may change a slightly, this is normal and is the nature of the material)

⚠ WARNING

- Should the burners extinguish for any reason, turn off all control knobs and the cylinder gas valve. Wait 5 minutes before attempting to relight the appliance.
- If a grease fire occurs, turn off at control knobs and gas cylinder valve immediately until the fire is out. Use a fire extinguisher if needed.
- A leak test must be carried out prior to using the appliance for the first time or each time the gas cylinder is refilled or each time the gas hose and gas regulator being disconnected from the gas cylinders or appliance.

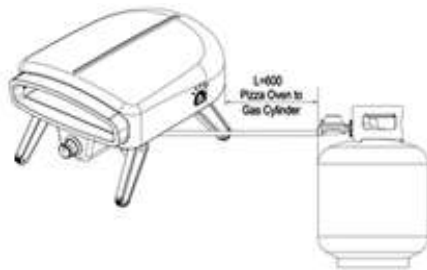


SAFETY & WARNINGS & INSTRUCTIONS

OPERATING PROCEDURES

The hose connecting the appliance to the supplier's cylinder shall be of such a length that the cylinder, when positioned in accordance with the manufacturer's recommendation, will fall to the ground without striking the appliance on the downward fall or pulling the appliance sufficiently to cause spillage of liquid from the cooking vessel, when the cylinder is tipped in any direction, in accordance with the Method of Test.

The cylinder should keep vertical with ground. If the cylinder is tilt, it is danger and may cause gas lease.



LP TANK

The LP tank used with your appliance must meet the following requirements:
Purchase LP tanks only with these required measurements: 12" (30.5cm) (diameter) x 18" (45.7cm) (tall) with 20 lb. (9 kg.) capacity maximum. Be constructed and marked in accordance with specifications for LP tank of the U.S. Department of Transportation (DOT) or the National Standard of Canada, CAN/CSA-B339, Cylinders, Spheres and Tubes for the Transportation of Dangerous Goods. The refillable propane cylinder used with this appliance must include a collar to protect the cylinder valve.

WARNING!

- 1) do not store a spare LP gas cylinder under or near this appliance;
- 2) never fill the cylinder beyond 80 percent full;
- 3) if the instructions in (b)(xii)(1) and (b)(xii)(2) are not followed exactly, a fire causing death or serious injury may occur.

Place dust cap on cylinder valve outlet whenever the cylinder is not in use. Only install the type of dust cap on the cylinder valve outlet that is provided with the cylinder valve. Other types of caps or plugs may result in leakage of propane.

ABNORMAL OPERATION

Any of the following are abnormal operation and may require servicing:

- Yellow tipping of the burner flame.
- Excess Soot
- Burners not igniting properly.
- Burners failing to remain alight.
- Burners extinguished by trolley doors.
- Gas valves, which are difficult to turn.



AMBIANCE®

FIREPLACES | GRILLS

CARING FOR YOUR PIZZA OVEN

⚠ **WARNING:** Do not clean when in use. Only attempt cleaning or moving when pizza oven is completely cool and not in use. Ensure propane gas and temperature dials are set in the off position.

⚠ **CAUTION**

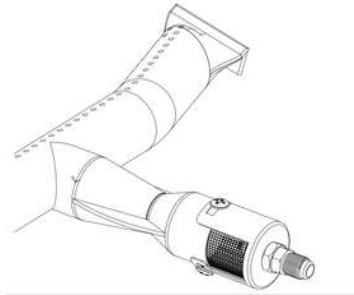
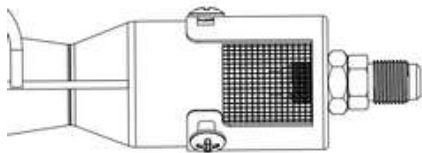
WE RECOMMEND CALLING THE PLACE YOU PURCHASED YOUR PIZZA OVEN IF YOU SUSPECT ABNORMAL OPERATIONS OR DAMAGE TO YOUR PIZZA OVEN.

LEARNING THE BURNER ASSEMBLY.

Follow these instructions to clean and / or replace parts of burner assembly or if you have trouble igniting pizza oven.

1. Turn gas off at control knobs and LP Tank.
2. Remove screw at end of burner using a screwdriver.
3. Carefully lift each burner up and away from valve openings.

Inspect the burner for any damage (cracks or holes). If damage is found, replace it with a new burner. Reinstall the burner, check to ensure that the Gas valve orifices are correctly positioned and secured inside the burner inlet (venturi).



We suggest three ways to clean the burner tubes. Use the one easiest for you.

1. Bend a stiff wire (a light weight, small coat or paper clip) into a small hook. Run the hook through each burner tube and burner several times.
2. Use a narrow bottle brush with a flexible handle (DO NOT use a brass wire brush), run a wire brush through each burner tube and burner several times.
3. **Wear eye protection:** use an air hose to force air into the burner tube and out the air ports. Check each port to make sure air comes out each hole.

CHECK BURNER FOR DAMAGE, DUE TO NORMAL WEAR AND CORROSION SOME HOLES MAY BECOME ENLARGED. IF ANY LARGE CRACKS OR HOLES ARE FOUND REPLACE BURNER.

VERY IMPORTANT: Burner tubes must reengage valve openings.

- CAREFULLY REFIT BURNERS.
- REPLACE SCREW AT THE END OF BURNER.
- REPLACE GREASE TRAY AND COOKING GRATES.



CARING FOR YOUR PIZZA OVEN

Maintenance instructions (including recommended frequency guidelines) relative to:

1. Keeping appliance area clear and free from combustible materials, gasoline, and other flammable vapors and liquids.
2. Ensure nothing is obstructing the flow of combustion and ventilation air.
3. Keeping the ventilation opening(s) of the cylinder enclosure free and clear from debris.
4. Visually checking burner flames, with pictorial representations.
5. Cleaning appliance, including special surfaces, with recommended cleaning agents, if necessary.
6. Checking and cleaning burner/venturi tubes for insects and insect nests. A clogged tube can lead to a fire beneath the appliance.

Outside surface

Use mild detergent or baking soda and hot water solution. Non-abrasive scouring powder can be used on stubborn stains, then rinse with water.

If the inside surface of the pizza oven lid has the appearance of peeling paint, baked on grease build-up has turned to carbon and is flaking off. Clean thoroughly with strong hot soapy water solution. Rinse with water and allow to completely dry. **NEVER USE OVEN CLEANER.**

Interior of pizza oven bottom

Remove residue using brush, scraper and/or cleaning pad then wash with a soapy water solution. Rinse with water and allow to dry.

CARING FOR YOUR PIZZA OVEN

⚠ WARNING: Do not clean when in use. Only attempt cleaning or moving when pizza oven is completely cool and not in use. Ensure propane gas and temperature dials are set in the off position.

STORAGE

- We recommend using your carrying case cover when not in use to help protect from the elements such as sunlight, wind, rain, snow.
- We recommend storing indoors, such as your garage or shed when you plan on not using it for extended periods of time to protect from the elements such as sunlight, wind, rain, snow.

NOTE: This will help maintain the original color as it may fade over time. If the color fades it will not affect performance or functionality.

CLEANING YOUR CORDIERITE PIZZA STONE

⚠ WARNING: Do not attempt to move pizza stone when hot. Wait until the pizza oven is completely cool and not in use. Ensure propane gas and temperature dials are set in the off position.

1. Never use the pizza stone over an open flame.
2. Move with extreme care, your cordierite stone is very fragile and will break if dropped.
3. Never attempt to move until your cordierite stone is completely cooled off. It will stay hot longer than your appliance.
4. Never attempt to cool your cordierite stone with water when the stone is hot. This can cause it to crack and break.
5. After cleaning always allow your cordierite stone to completely dry before use.



3 YEAR LIMITED WARRANTY

3 Years limited warranty on any manufacturer or structural defects. Cover your pizza oven and store indoors, when possible, when not in-use and completely cooled off to extend the life of the materials.

- Coulee Outdoor Corp. will only supply the warranty to the original purchaser. Proof of purchase is required.
- Warranty ensures your pizza oven is free from workmanship and material defects. In the case of a defect from workmanship or material defects Coulee Outdoor Corp. will work with the original purchaser to replace or repair their pizza oven free of charge.
- The ignitor and burners have a one year warranty.
- If a warranty claim is approved on a model which has been discontinued, the owner will receive a product of the same or greater value.
- Modifying your pizza oven will VOID its warranty.
- Coulee Outdoor Corp. does not provide a warranty for rust, paint or finishes.
- Each warranty claim will be considered on a case-by-case basis and Coulee Outdoor Corp. will award the warranty at their judgment. Warranty claims must include photos provided by the original owner.
- This warranty does not include or cover misuse, accident, modifications, negligence, tampering or improper/lack of maintenance.

COULEE OUTDOOR CORP. IS NOT HELD LIABLE FOR ANY INJURY OR DEATH CAUSED BY THE MISUSE OF OUR PIZZA OVEN.

CONTACT US

Please contact us if your fire pit has arrived damaged or has missing parts. Do not return to store.

We strive to provide the best service possible. Please contact us at the below with any questions ~ we are here to help.

Phone number: 1-855-9COULEE (1-855-926-8533)

Email: hello@couleeoutdoor.com

Before you call or email, please have your model number, proof of purchase and pictures for efficiency.

Imported by Coulee Outdoor Corp.

1-855-926-8533

hello@couleeoutdoor.com

Made In China



AMBIANCE®

FIREPLACES | GRILLS

TROUBLESHOOTING

Problem	Possible Cause	Prevention/Solution
<p>Burner(s) will not light using ignitor.</p>	<ul style="list-style-type: none"> • Wire and/or electrode covered with cooking residue. • Electrode cracked or broken "sparks at crack". • Electrode tip not in proper position. • Wires are loose or disconnected. • Wires are shorting (sparking) between ignitor and electrode. • Dead battery. 	<ul style="list-style-type: none"> • Clean wire and/or electrode with rubbing alcohol and clean swab. • Replace electrode(s). • Reconnect wires or replace electrode/wire assembly. • Replace ignitor wire/electrode assembly. • Replace with a new AA battery.
<p>Burner(s) will not light using a BBQ lighter</p>	<ul style="list-style-type: none"> • No gas flow. • Coupling nut and regulator not fully connected. • Obstruction of gas flow. • Disengagement of burner to valve. • Is pizza oven assembled correctly? 	<ul style="list-style-type: none"> • Check to see if LP tank is empty. If LP tank is not empty, refer to "Sudden drop in gas flow". • Turn the coupling nut about one-half to three quarters additional turn until solid stop. Tighten by hand only-do not use tools. • Clear burner tube(s). • Reengage burner and valve. • Check steps in assembly instructions.
<p>Unable to fill LP tank.</p>	<ul style="list-style-type: none"> • Some dealers have older fill nozzles with worn threads. 	<ul style="list-style-type: none"> • The worn nozzles don't have enough "bite" to engage the valve. Try a second LP dealer.



AMBIANCE®

FIREPLACES | GRILLS

TROUBLESHOOTING

Problem	Possible Cause	Prevention/Solution
Sudden drop in gas flow or low flame.	<ul style="list-style-type: none">• Out of gas.• Excess flow valve tripped.	<ul style="list-style-type: none">• Check for gas in LP tank.• Turn off knobs, wait 30 seconds and light pizza oven. If flames are still low, turn off knobs and LP tank valve. Disconnect regulator. Reconnect regulator and leak test. Turn on LP tank valve, wait 30 seconds and then light pizza oven
Flames blow out.	<ul style="list-style-type: none">• High or gusting winds.• Low on LP gas.• Excess flow valve tripped.	<ul style="list-style-type: none">• Turn front of pizza oven to face wind or increase flame height.• Refill LP tank.• Refer to "Sudden drop in gas flow" above.
Flare-up.	<ul style="list-style-type: none">• Grease buildup.• Excessive fat in meat.• Excessive cooking temperature.	<ul style="list-style-type: none">• Clean pizza oven.• Trim fat from meat before grilling.• Adjust (lower) temperature accordingly.
Persistent grease fire.	<ul style="list-style-type: none">• Grease trapped by food buildup around burner system.	<ul style="list-style-type: none">• Turn knobs to OFF. Turn gas off at LP tank. Leave lid in position and let fire burn out. After pizza oven cools, remove and clean all parts.
Flashback... (fire in burner tube(s)).	<ul style="list-style-type: none">• Burner and/or burner tubes are blocked.	<ul style="list-style-type: none">• Turn knobs to OFF. Clean burner and/or burner tubes.



TROUBLESHOOTING-ELECTRONIC IGNITION

Problem	Possible Cause	Check Procedure	Prevention/Solution
No sparks appear at any electrodes when ignition button is pushed; no noise can be heard from spark module.	-Battery not installed properly.	-Check battery orientation	-Install battery(make sure that "+" and "-" connectors are oriented correctly, with "+" end up and "-" end down.
	Dead battery	Has battery been used previously?	Replace battery with new AA-size alkaline battery.
	Button assembled not installed properly.	Check to insure threads are properly engaged. Button should travel up and down without binding.	Unscrew button cap assembly and reinstall, making sure threads are aligned and engaged fully.
	Faulty spark module.	-If no sparks are generated with new battery and good wire connections, module is faulty.	Replace spark module assembly.
No sparks appear at any electrodes when ignition switch is pushed; noise can be heard from spark module.	-Out put lead connections not completed.	-Are output connections on and tight?	-Remove and reconnect all output connections at module and electrodes.



AMBIANCE®

FIREPLACES | GRILLS

TROUBLESHOOTING-ELECTRONIC IGNITION

Problem	Possible Cause	Check Procedure	Prevention/Solution
Sparks are present but not at all electrodes and/or not at full strength.	·Output lead connections not complete.	·Are output connections on and tight?	·Remove and reconnect all output connections at module and electrodes.
	·Arcing to pizza oven away from burner(s)	·If possible, observe pizza oven in dark location. Operate ignition system and look for arcing between output wires and pizza oven flames.	·If sparks are observed other than from burner(s), wire insulation maybe damaged. Replace wires.
	·Weak battery	·All sparks present but weak or at slow rate.	·Replace battery with a new AA-size alkaline battery.
	·Electrodes are wet	·Has moisture accumulated on electrode and/or in burner ports?	·Use paper towel to remove moisture.
	·Electrodes cracked or broken "sparks at crack"	·Inspect electrodes for cracks.	·Replace cracked or broken electrodes.



LIGHTING INSTRUCTIONS

NOTE: Always check gas for leaks before lighting. Once you have established there are no leaks proceed safely.

When starting your appliance keep your face and hands away from the opening.

1. Push down and turn the temperature dial counter clockwise to the "HIGH" position (you will hear a clicking sound) to light the burner. If the burner does not light, turn off the gas tap and wait for five minutes then repeat this process.

2. Adjust the heat by turning temperature dial to the High position to preheat to desired position.

3. Once the desired temperature is reached and the pizza stone is hot, turn the temperature dial down to help burning of the crust. Rotate pizza every 15-30 seconds.

NOTE: Turn the temperature dial back to high if you need to prepare another pizza and repeat process as needed.

4. To turn your pizza oven OFF, turn the cylindervalue or regulator switch to the "OFF" position and turn all of the control knobs on the appliance clockwise to the "OFF" position.

NOTE: Let the appliance cool down before attempting to move.



THANK YOU FOR YOUR BUSINESS. DID YOU KNOW THE AMBIANCE BRAND IS EXCLUSIVE TO FAMILY RAN AND SMALL BUSINESSES. WE TRULY APPRECIATE IT AND ARE HERE FOR YOU IF YOU HAVE ANY QUESTONS.

YOU MIGHT ALSO LIKE OUR NEW FIERO SMOKELESS FIRE PIT. FIND AT THE NEAREST DEALER OR BUY ONLINE FROM THE WEBSITE BELOW.